

INSTRUCTION MANUAL

BS07261442

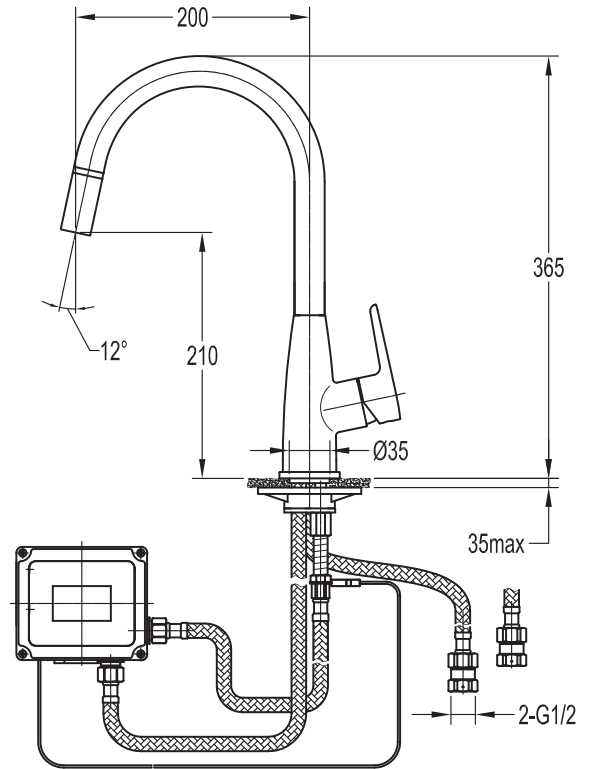
I. Installation Notice

1. Install water supply lines in accordance with this manual.
2. Floor drain should be installed in the location of the faucet.
3. Install faucets only after the completion of house interior decoration in case paint or other chemicals erode faucet surface.
4. Clean pipes before installation to get rid of mud, sand or other debris.
5. If the thread of pipes don't match well with product, please find out the reason first, otherwise a forced connection will damage the faucet.
6. After installation, ensure all the joints are firmly connected. Then run water and open faucet repeatedly to make sure there are no leaks. At this stage, the product is ready for normal use.
7. Keep the manual to the user.

II. Operation Notice

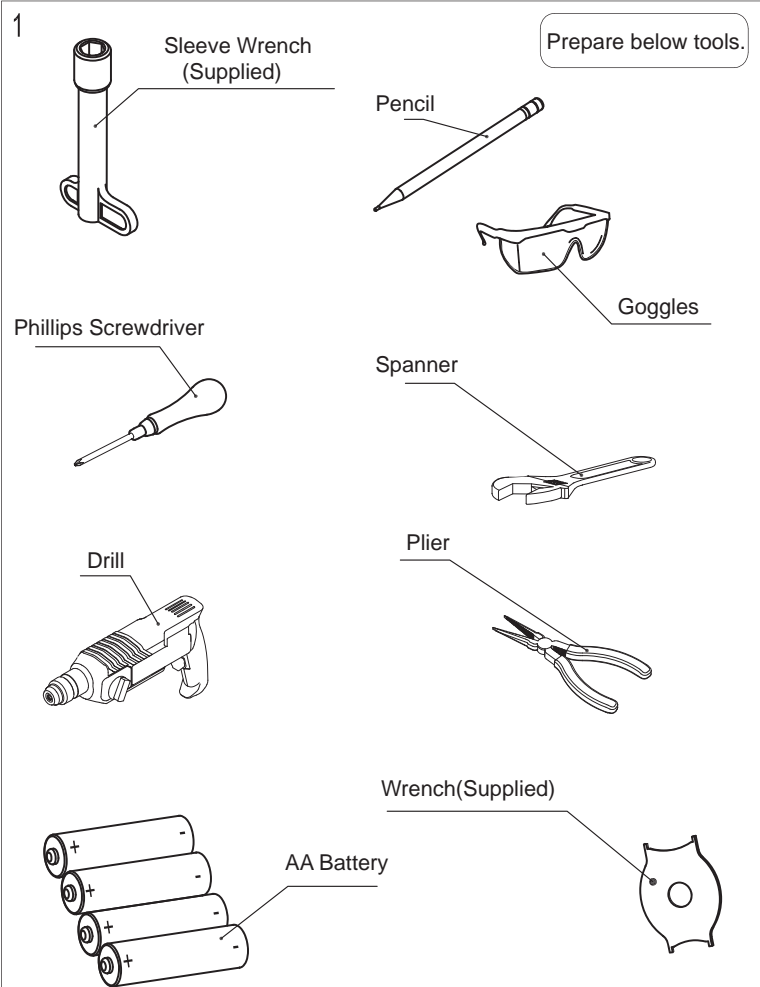
1. The working condition of this product is water pressure 0.05~0.7MPa, water temperature 4~90°C.
2. **Do please turn off the handle after each time of usage, to avoid faucet automatically runs water and causes unnecessary waste if battery is depleted and nobody notices it.**
3. Do not hang heavy things on the faucet.
4. Make sure the faucet is off when no water comes out of it (especially when nobody resides in or during the period of decoration or suspend of water).
5. Regularly clean the surface of faucet to keep it bright. Attention: do not use inappropriate tools such as sharp brushes, rough sponges, scouring pads or corrosive detergent to clean the faucet, and we do not recommend that you use the detergent sold in the market, because its formula is changing frequently. Please clean the faucet by a wet cotton cloth with soapy water, then rinse and dry with a soft cotton cloth after each time of usage.
6. When the room temperature drops to below 0°C, take necessary measures (such as keeping faucet warm and closing windows) to prevent the faucet from being frozen or even broken (especially when windows kept open for air ventilation while nobody resides in).
7. Please open the cold and hot water in turn and adjust to comfortable temperature before washing to avoid scald.
8. Do not disassemble the product unless you are an expert.

III. Installation Diagram

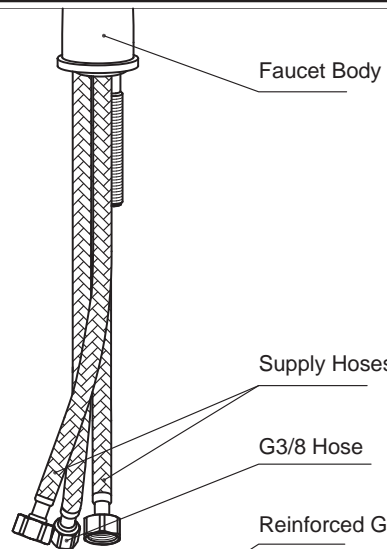


* The installation diagram is only for reference, the product is subject to the real object.

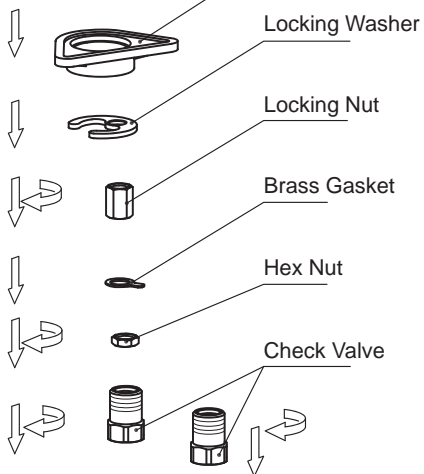
IV. Installation Steps (Fig.1-16)



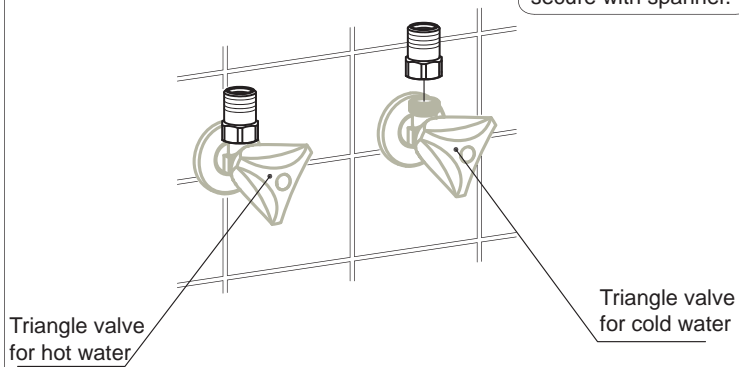
2



Remove check valve, hex nut, brass gasket, locking nut, locking washer and reinforced gasket from faucet body.

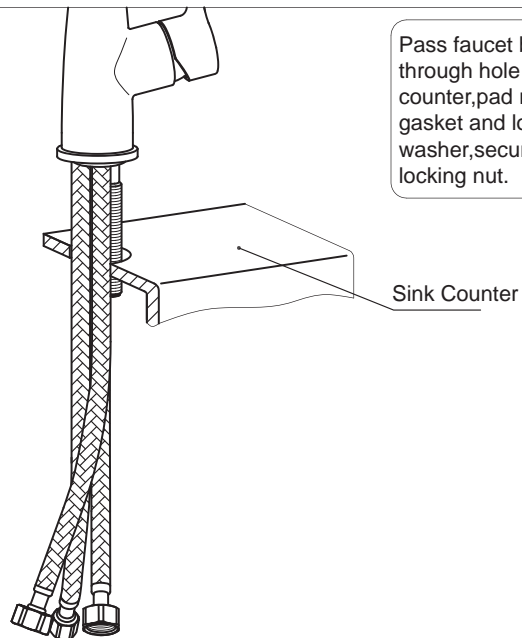


4

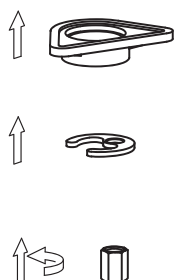


Connect check valves (with sealing washer) to triangle valves for hot and cold water, secure with spanner.

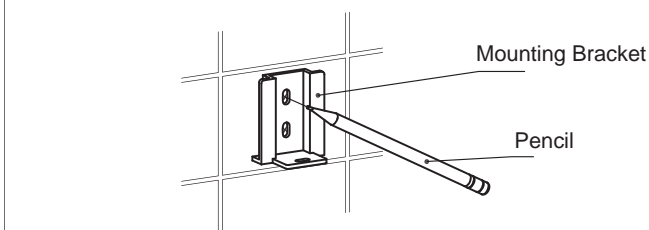
3



Pass faucet body through hole of sink counter, pad reinforced gasket and locking washer, secure with locking nut.

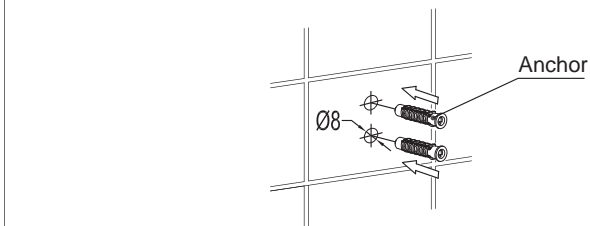


6



Locate control box at a proper position where hoses and solenoid wire can both reach. Pull out mounting bracket, mark on the wall on base of 2 holes of mounting bracket.

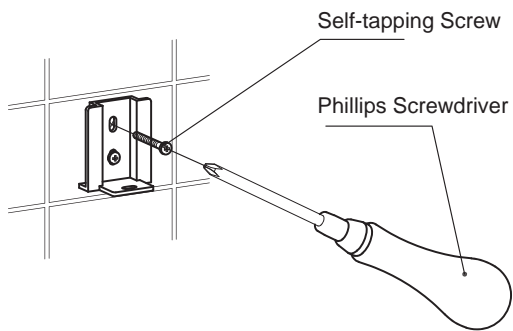
7



Drill 2 Ø8 holes at mark position and insert anchors.

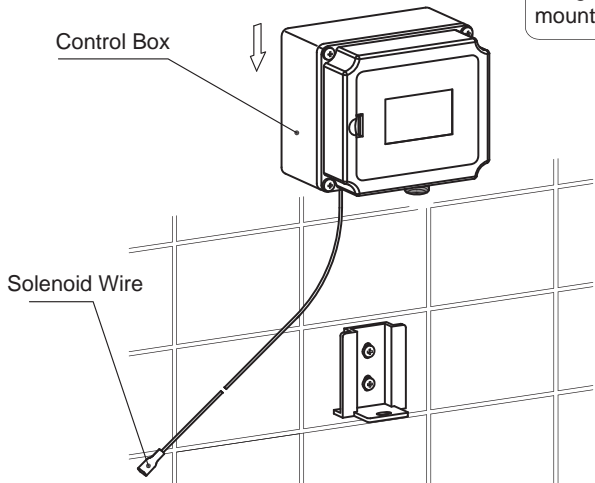
8

Secure mounting bracket on the wall with self-tapping screws.



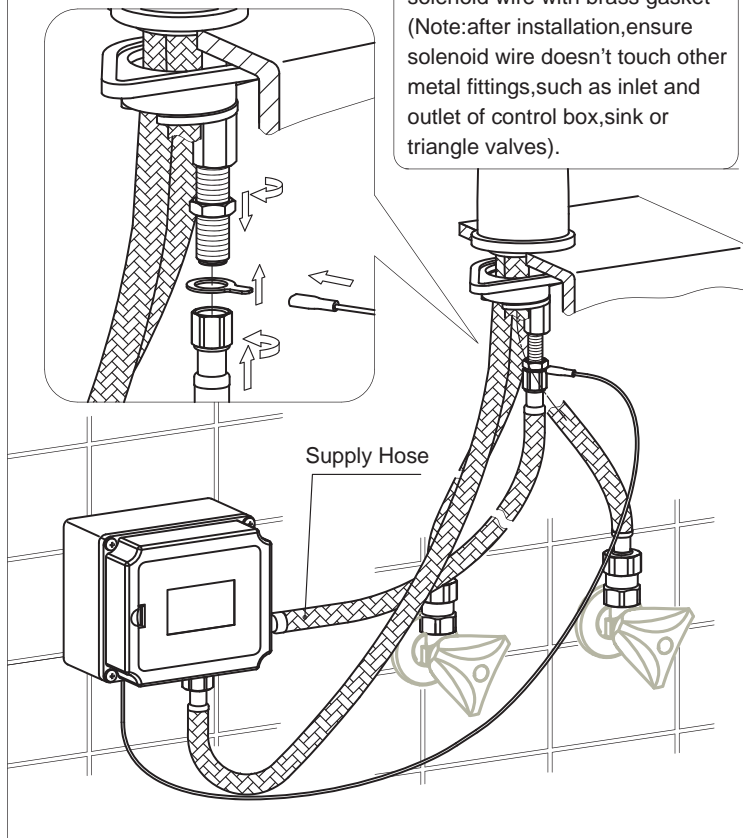
9

Hang control box on mounting bracket.



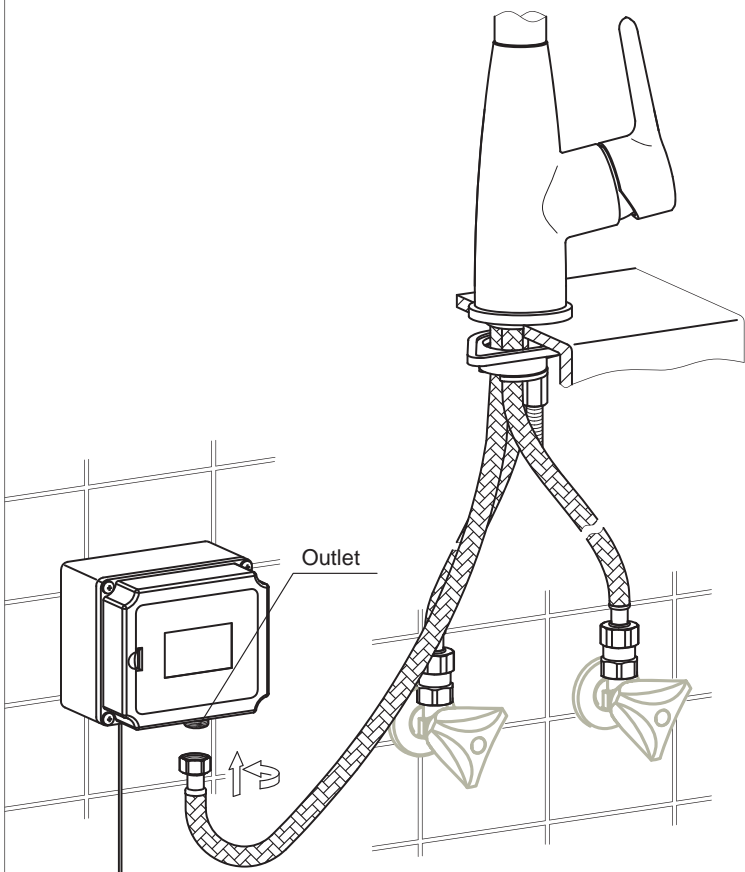
11

Screw hex nut and brass gasket to shank, connect and tighten outlet of faucet body and inlet of control box with supply hoses. Screw hex nut down to fix brass gasket. Connect and clamp solenoid wire with brass gasket (Note: after installation, ensure solenoid wire doesn't touch other metal fittings, such as inlet and outlet of control box, sink or triangle valves).



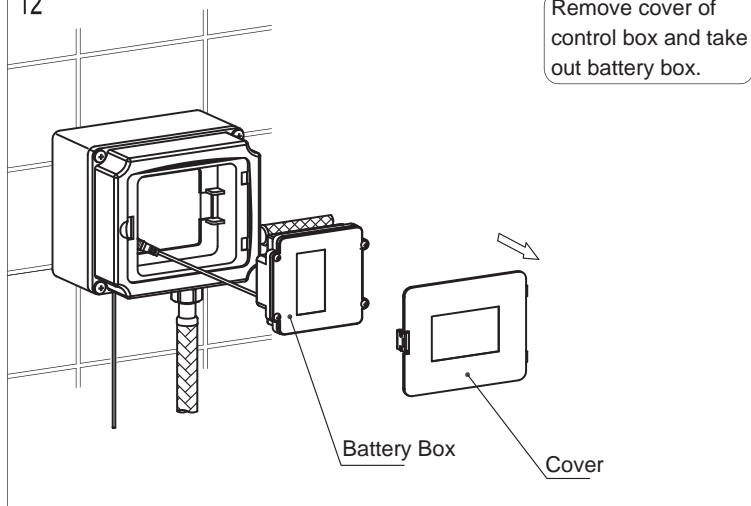
10

Connect 3/8 hose (w/o red or blue mark) to outlet of control box.



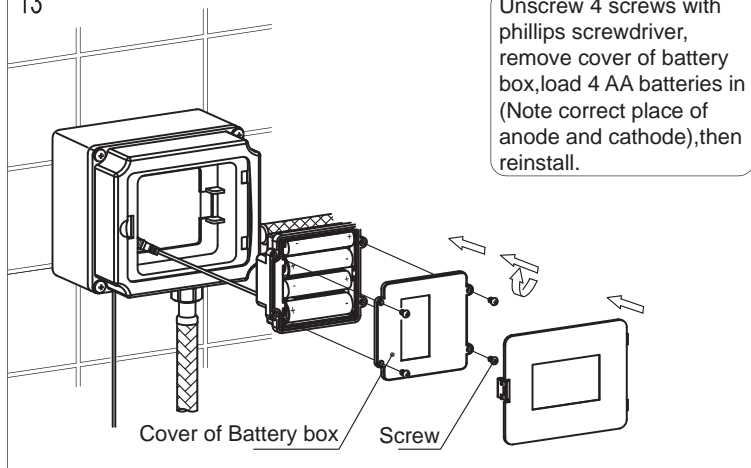
12

Remove cover of control box and take out battery box.



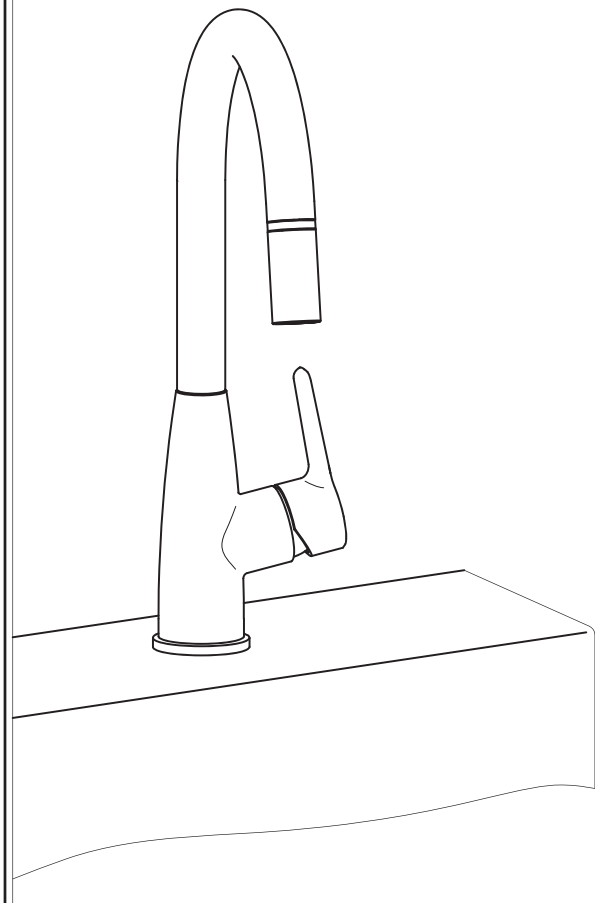
13

Unscrew 4 screws with phillips screwdriver, remove cover of battery box, load 4 AA batteries in (Note correct place of anode and cathode), then reinstall.



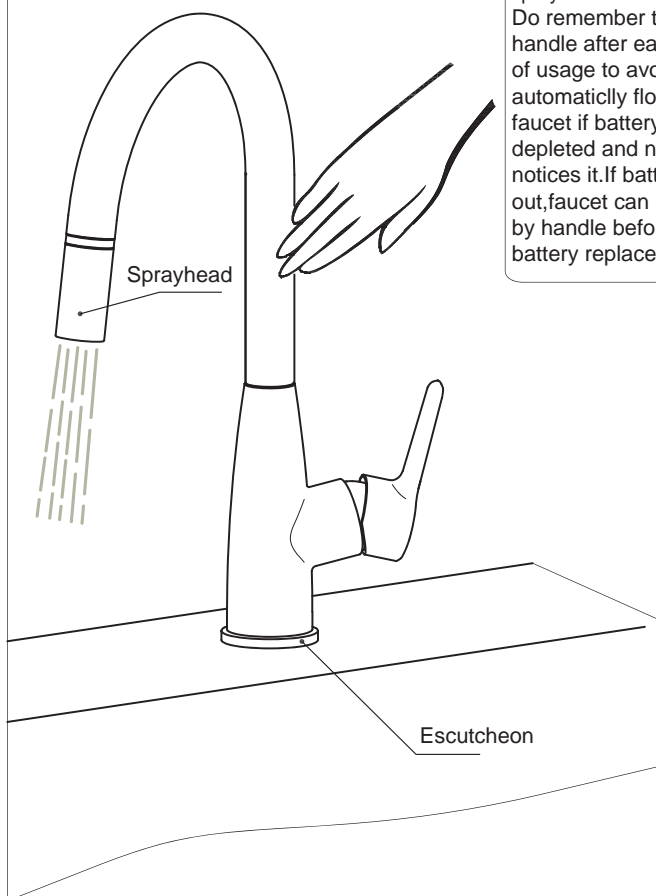
14

Installation is finished, the figure is when faucet switched off.



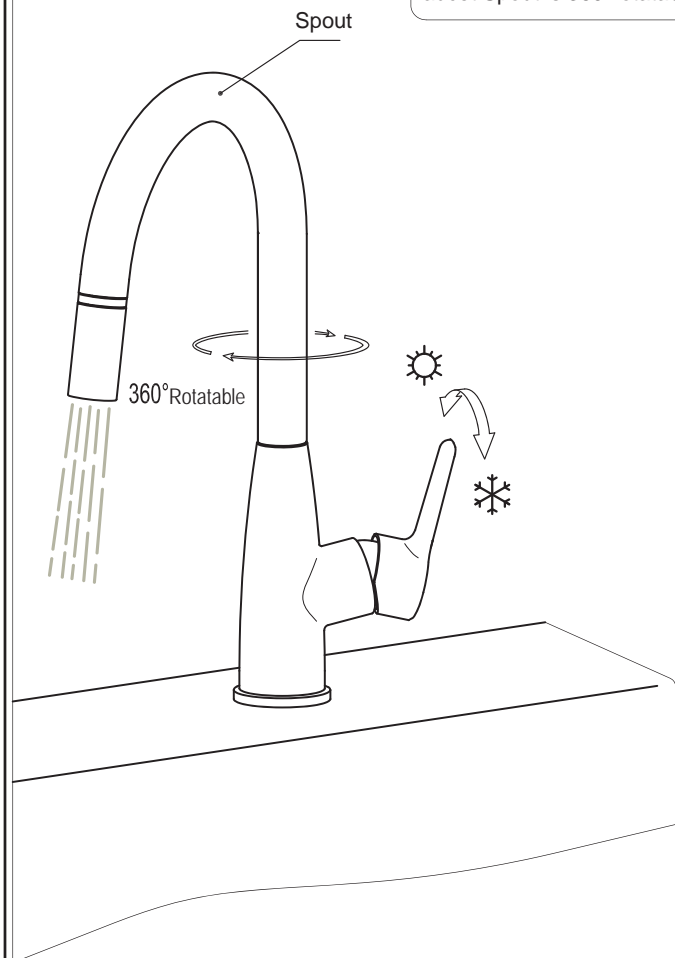
16

When handle is turned on, faucet can be switched on or off when any part of body touch faucet body except sprayhead and escutcheon. Do remember to turn off handle after each time of usage to avoid water automatically flows from faucet if battery is depleted and nobody notices it. If battery runs out, faucet can be used by handle before battery replacement.



15

Follow the steps to check the installation: turn on triangle valve and handle, then water flows from faucet. Spout is 360° rotatable.



V. Maintenance:

(1) Cleaning:

If low water flow after certain time of usage, may be because aerator blocked. Cleaning as Fig.1: Turn off handle, disassemble inner collar with wrench, remove and clean aerator and rubber washer, then reinstall. If still low water flow, may be because filter of control box blocked. Cleaning as Fig.2: Turn off handle, disassemble hose connector of inlet of control box, remove and clean filter, then reinstall.

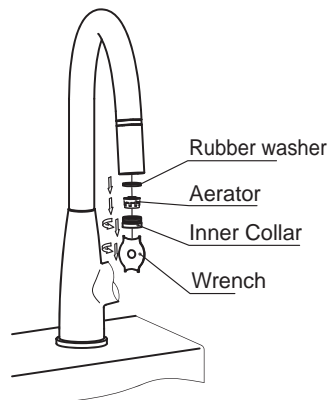


Fig.1

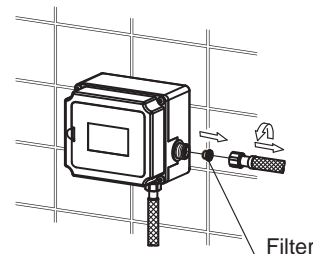


Fig.2

(2) Troubleshooting:

If no water flows by touch, reasons as below:

- ① Suspension of water or handle is turned off: keep water source or turn on handle.
- ② Aerator or filter blocked: please clean as Fig.1 of "Maintenance".

If water doesn't stop by touch, reasons as below:

- ① Too slow action of touch: try to touch the faucet quickly, no more than 0.5 second.
- ② Batteries are nearly or already run out: replace batteries in time (4 AA alkaline batteries). Note correct place of anode and cathode. Don't mix batteries with different brand or different usage level.