

## I. Installation Notice

1. Install water supply lines in accordance with this manual.
2. Floor drain should be installed in the location of the faucet.
3. Install the faucet only after the completion of house interior decoration in case paint or other chemicals erode the faucet surface.
4. Clean pipes to get rid of mud, sand or other debris blocked in pipes.
5. After installation, check all the joints to make sure they are firmly connected. Then keep water flow. Turn on and off repeatedly to ensure there is no leakage around the joints. At this stage, the product is ready for normal use.
6. Keep the manual to the user.

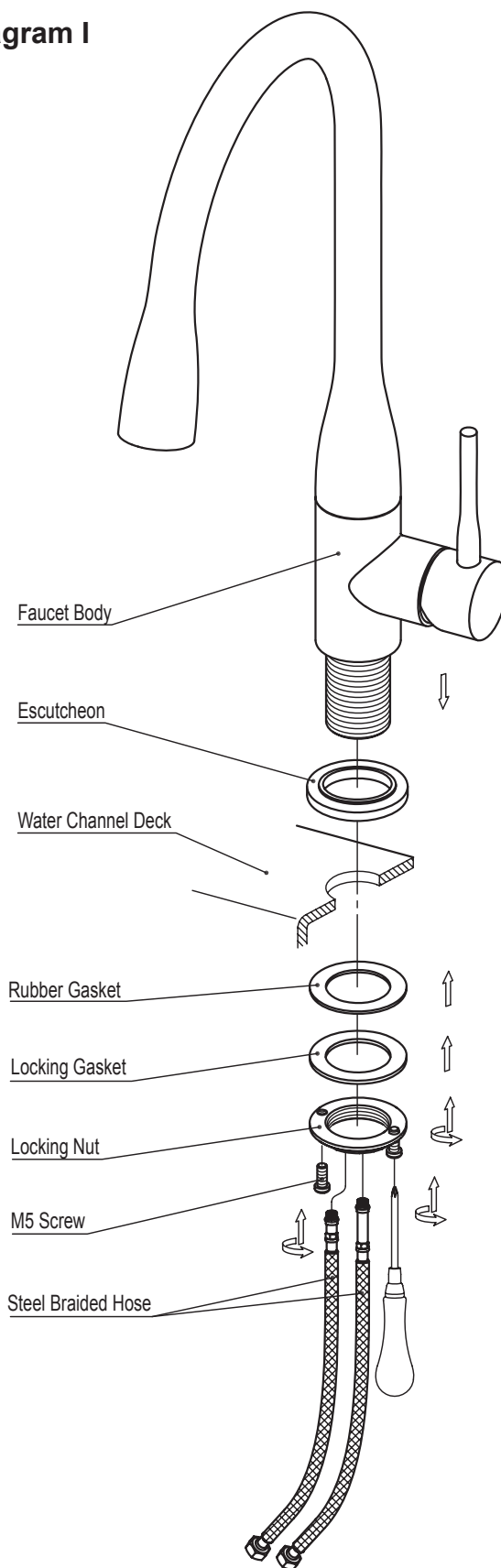
## II. Operation Notice

1. The product is used between water pressure 0.05~1.0MPa, water temperature 0~90°C.
2. Do not hang heavy things on the faucet.
3. Make sure the faucet is off when no water comes out of it (especially when nobody resides in the house or during the period of decoration or the absence of water).
4. Regularly clean the surface of faucet in neutral wash solution. Then dry it with a piece of soft cotton cloth to keep it bright.
5. When the room temperature drops to below 0°C, take necessary measures (such measures as keeping faucet warm and closing windows) to prevent the faucet from being frozen and even broken (especially when windows kept open for air ventilation while nobody resides in).
6. First turn on cold water, then hot water. To avoid scalding, regulate the water temperature before washing or showering and do not touch the faucet of hot water part.
7. Do not disassemble the product unless you are an expert.

## III. Installing Steps (As specified in diagram I)

1. Connect the faucet body with two braided hoses. Put on Escutcheon and slide it through the water channel deck. Pad the rubber gasket and locking gasket. Then screw the locking nut with M5 screws.
2. Connect the steel braided hoses with the triangle valve, attention to the hot hose on the left and cold on the right.
3. Turn on water for inspection.

Diagram I



\* The installation diagram is only for reference and subject to the real objects.