

I .Installation Notice

1. Install water supply lines in accordance with this manual.
2. Floor drain should be installed in the location of the faucet.
3. Install the faucet only after the completion of house interior decoration in case paint or other chemicals erode the faucet surface.
4. Clean pipes to get rid of mud, sand or other debris blocked in pipes.
5. Wrap the thread part with Teflon tape before it is screwed. To avoid damage to the faucet, use a piece of cloth as a pad between the wrench mouth and the faucet. (Check whether the threads can be matched. Otherwise, too strong force applied to the wrench will damage the faucet).
6. After installation, check all the joints to make sure they are firmly connected. Then keep water flow. Turn on and off repeatedly to ensure there is no leakage around the joints. At this stage, the product is ready for normal use.
7. Keep the manual to the user.

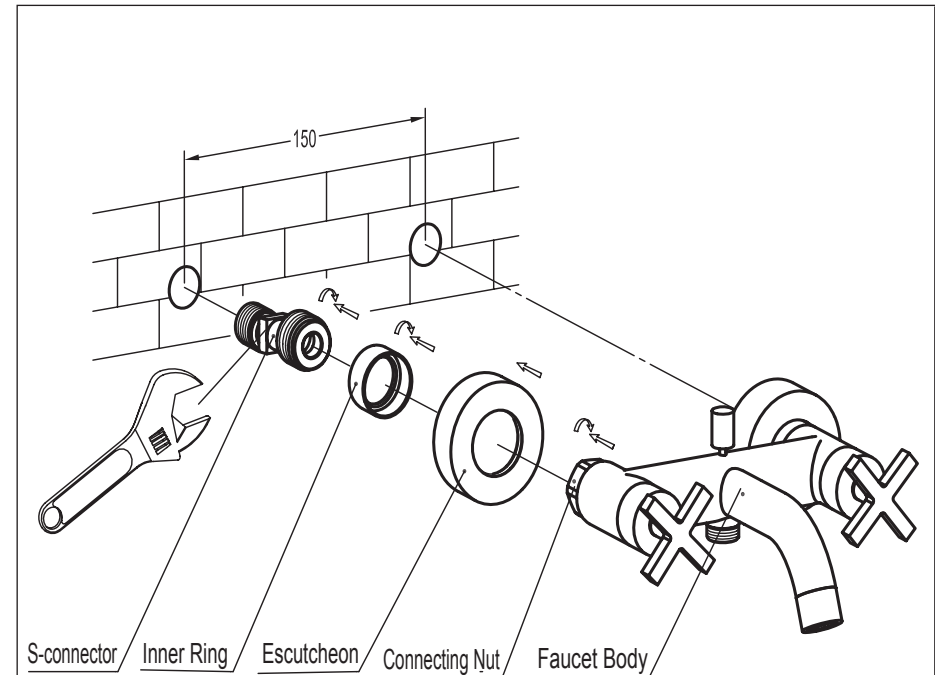
II . Operation Notice

1. The product is used between water pressure 0.05~1.0MPa, water temperature 0~90°C.
2. Do not hang heavy things on the faucet.
3. Make sure the faucet is off when no water comes out of it (especially when nobody resides in the house or during the period of decoration or the absence of water).
4. Regularly clean the surface of faucet in neutral wash solution. Then dry it with a piece of soft cotton cloth to keep it bright.
5. When the room temperature drops to below 0°C, take necessary measures (such measures as keeping faucet warm and closing windows) to prevent the faucet from being frozen and even broken (especially when windows kept open for air ventilation while nobody resides in).
6. First turn on cold water, then hot water. To avoid scalding, regulate the water temperature before washing or showering and do not touch the faucet of hot water part.
7. Do not disassemble the product unless you are an expert.

■ Installing Steps

1. Install the cold and hot water pipes in the wall at the proper height with the hot water supply on the left and the cold water supply on the right, and the distance between being 150mm.
2. Wrap the S-connectors with the Teflon tape and screw them onto the water pipes. Tighten them with the wrench and adjust them to be in the horizontal level, the distance between is 150mm.
3. Screw the inner rings onto the S-connectors with keeping the thread part outwards; and put the escutcheons on the inner rings with keeping the horn mouth inwards, then push them against the wall.
4. Connect the connecting nuts and the S-connectors with the wrench provided and tighten them.
5. Turn back the inner rings and slide them to be close to the faucet body, then push the escutcheon against the wall.
6. Turn on water for inspection.

■ Diagram



* The installation diagram is only for reference and subject to the real objects.