

INSTRUCTION MANUAL

BS01132216

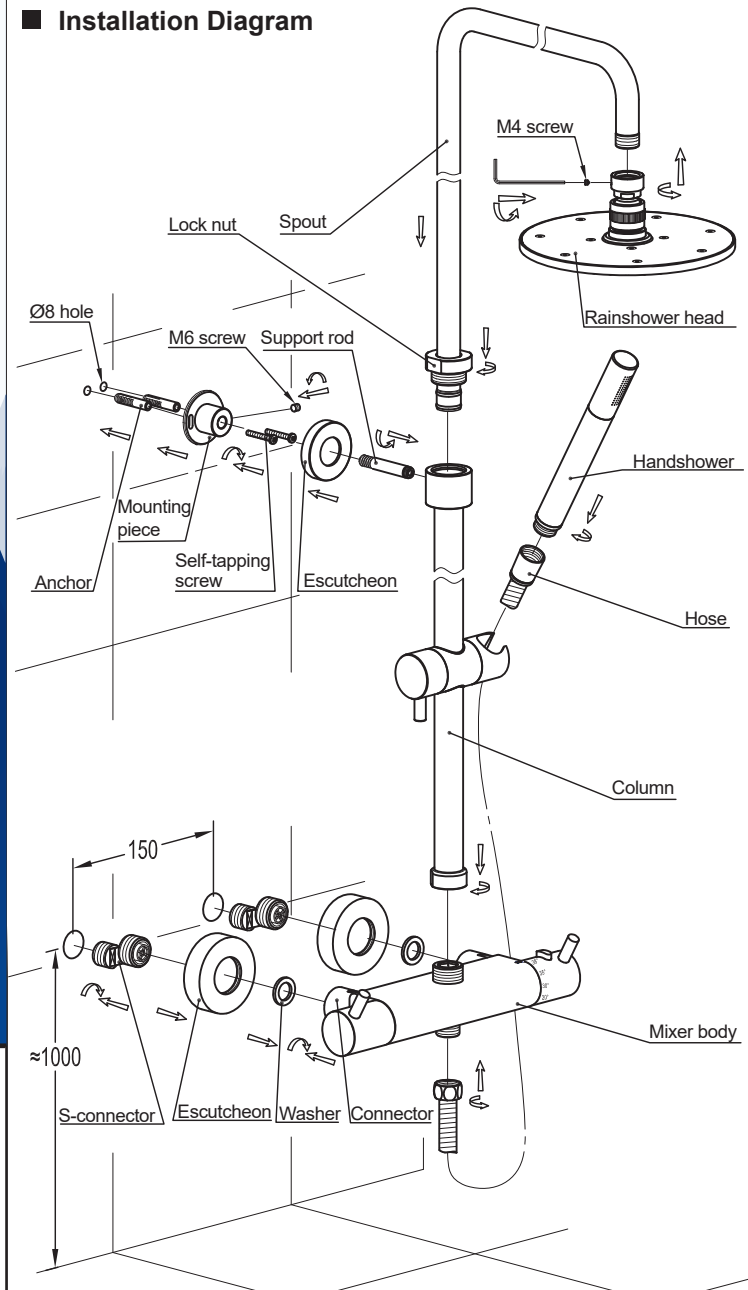
I. Installation Notice

1. Install water pipes in accordance with this manual.
2. Floor drain should be installed on the site.
3. All the components should be installed only after the completion of house interior decoration in case paint or other chemicals erode the mixer surface.
4. Run water to clean pipes to get rid of mud, sand or other debris blocked in pipes before installation.
5. If the thread does not match well with the water pipe, please identify the cause first; otherwise a forced connection will damage the faucet.
6. After installation, check all the joints to ensure they are firmly connected. Turn on and off the water repeatedly to ensure there is no leakage around the joints. After that, the product is ready for normal use.
7. Keep the manual to users.

II. Operation Notice

1. The product is used at cold water temperature 4~29°C, hot water temperature 45~85°C and water pressure 0.05~1.0 MPa. Please avoid large pressure difference between hot and cold water. The thermostatic cartridge is preferably in use under the condition of water pressure 0.3 MPa, cold water 15°C, hot water 65°C. Main valve should be equipped with a filter.
2. To avoid using the faucet as hand rail, a separate hand rail must be installed if needed. Do not hang heavy objects on the mixer.
3. Make sure the faucet is off when no water comes out of it, especially when nobody resides in or during the period of decoration or suspension of water.
4. Regularly clean the surface of faucet to keep it bright. Attention: Do not use inappropriate tools such as sharp brushes, rough sponges, scouring pads or corrosive detergent to clean the faucet. It is not recommended to use the detergent sold in the market, because its formula changes frequently. Please clean the faucet with wet cloth and soapy water after usage. Then rinse the soap off with clean water and dry with a soft cotton cloth.
5. When room temperature falls below 0°C, take necessary measures (keep the product warm, close windows) to prevent the product from frost cracking, especially when windows open for air ventilation while nobody in the house.
6. Turn on the cold water first, then hot water. Adjust the temperature before use and do not touch the hot water area on the mixer body to avoid scald.
7. Do not disassemble the product without help from the professionals.

■ Installation Diagram

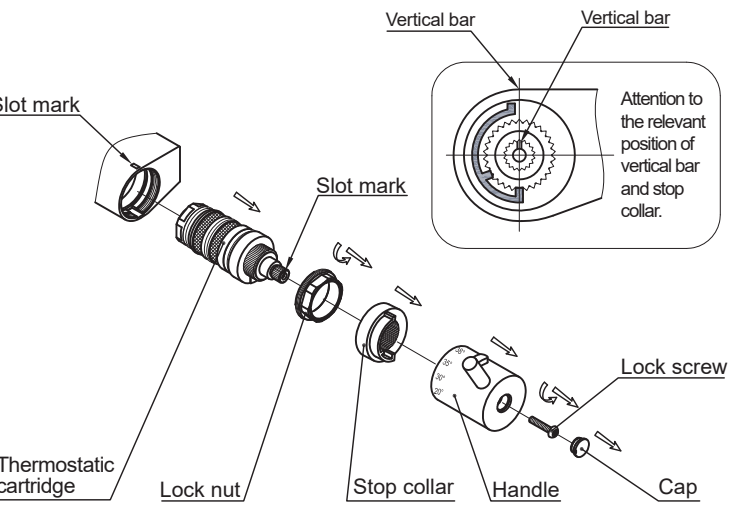


* The installation diagram is only for reference.
The product is subject to the real object.

■ Installation Steps

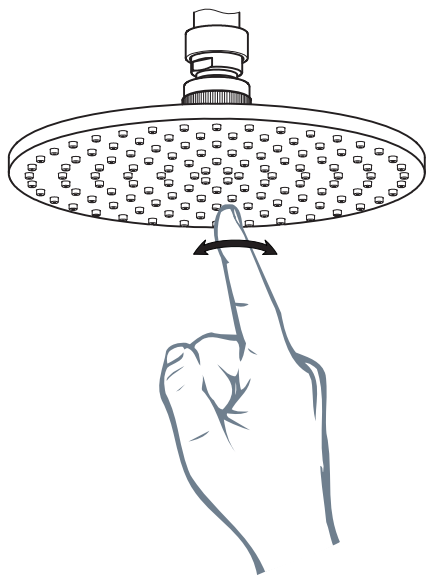
1. On the wall about 1000mm above the ground, install hot and cold pipes with the distance 150mm in between as shown in the installation diagram. Please note that the inlets must be connected for hot left and cold right. Otherwise thermostatic cartridge will malfunction, or even cause scalding.
2. Run water to clean pipes so as to get rid of mud, sand or other debris blocked in pipes before installation.
3. Wrap two S-connectors with teflon tape to connect the wall fitting. Make sure not to drop the check valve inside. Then adjust the S-connectors to parallel and level position with a spanner. The center distance is 150mm.
4. Insert washers into the connectors and slip escutcheons over the connectors. Then tightly install the connectors onto the S-connectors.
5. Tightly connect the support rod to the column. Then install the mounting piece.
6. Connect the mixer body and the column. Adjust the column to the vertical position with a spirit level. Then take holes on the mounting piece as benchmark to mark lines on the wall.
7. Take off the column. Drill two Ø8 holes at marked lines and insert the anchors. Fix the mounting piece to the wall by self-tapping screws. Then install the escutcheon onto the mounting piece.
8. Insert the spout onto the column when it is aligned with the column. Tightly connect the bottom end of the column to the mixer body. Then install the top end onto the mounting piece, and tighten with the M6 screw.
9. Install the rainshower head onto the spout and tighten with the M4 screw. Make sure to tighten the screw tightly so as to avoid dropping. Then adjust the spout to a suitable height, and tighten with the lock nut.
10. Connect the handshower to the hose. Run water to check if the installation is proper upon completion.

■ Maintenance I



If the flow rate becomes lessened or temperature control is imprecise after a period of usage, it is possibly because water of poor quality blocks the filter of the thermostatic cartridge. Cleaning method should be taken as followed: First, turn off the main inlet valve. Then pick out the cap by a tool with tip as shown in the above diagram. Remove the followings one by one: lock screw, handle, stop collar and lock nut. Take out the thermostatic cartridge and clean its filter part with clean water and vinegar. Then assemble them back accordingly. Pay attention to keeping the four parts on one line: the slot mark on the thermostatic cartridge, mixer body, the 38°C mark on the stop collar and handle.

■ Maintenance II



If the volume from the rainshower head reduces or water flow does not spray evenly after a period of usage, it is possibly because debris or limescale blocks the nozzles. Please gently squeeze those rubber nozzles with fingers as shown in the above diagram and clean up the debris.