

# INSTRUCTION MANUAL

BS01831522

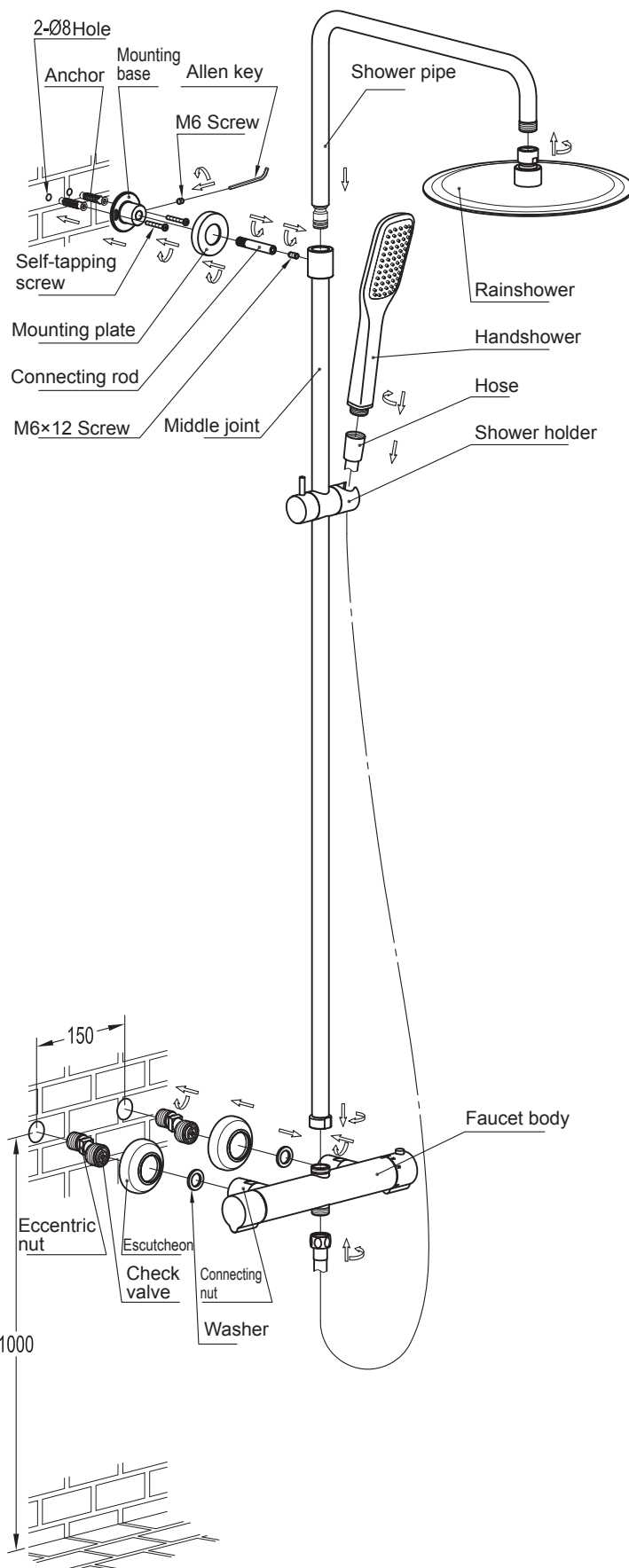
## I Installation Notice

1. Install water supply lines in accordance with this manual.
2. Floor drain should be installed in the location of the faucet.
3. Install faucets only after the completion of house interior decoration in case paint or other chemicals erode faucet surface.
4. Clean pipes before installation to get rid of mud, sand or other debris.
5. If the thread of pipes don't match well with product, pls find out the reason first. Otherwise a forced connection will damage the faucet.
6. After installation, ensure all the joints are firmly connected. Then turn on water supply and open faucet repeatedly to make sure there are no leaks. At this stage, the product is ready for normal use.
7. Keep the manual to the user.

## II Operation Notice

1. The working condition of this product is cold water 4~29°C, hot water 55~85°C and water pressure 0.05~1.0Mpa. Note to avoid the greater pressure difference between cold and hot water. The best use of product is when cold water 15°C and hot water 65°C under water pressure 0.3Mpa. The main valve must be with filter net.
2. Do not hang heavy things on the faucet.
3. Make sure the faucet is off when no water comes out of it (especially when nobody resides in or during the period of decoration or suspend of water).
4. Regularly clean the surface of faucet to keep it bright. Attention: do not use inappropriate tools such as sharp brushes, rough sponges, scouring pads or corrosive detergent to clean the faucet, and we do not recommend that you use the detergent sold in the market, because its formula is changing frequently. Please clean the faucet by wet cotton cloth with soapy water, then rinse and dry with a soft cotton cloth after each time of usage.
5. When the room temperature drops to below 0°C, take necessary measures (such as keeping faucet warm and closing windows) to prevent the faucet from being frozen or even broken (especially when windows kept open for air ventilation while nobody resides in).
6. Please adjust to comfortable temperature before washing and do not touch the hot part of faucet to avoid scald.
7. Do not disassemble the product unless for an expert.

## ■ Installation Diagram

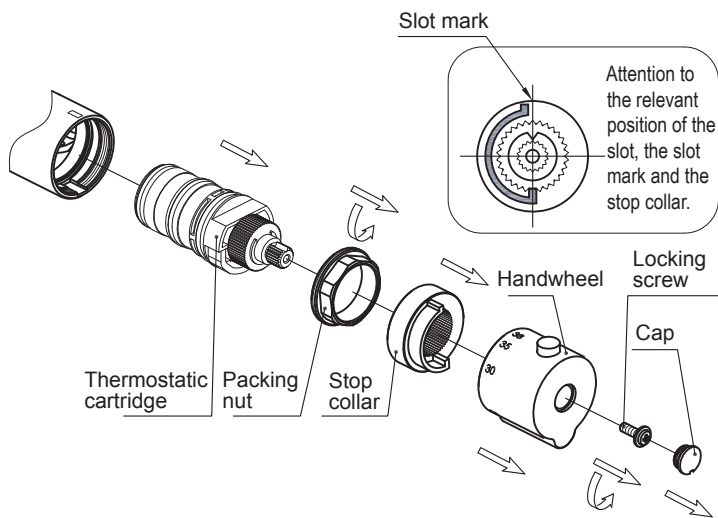


\* The installation diagram is only for reference, the product is subject to the real object.

## ■ Installation Steps

1. Pave inlet pipes about 1m above the ground as hot left and cold right, center distance between them is 150mm as figure. (Ensure correct connection, otherwise thermostatic cartridge fails to function and may cause scalding).
2. Run water to rinse mud, sand or other debris in pipes.
3. Wrap eccentric nuts with teflon tape and screw to pipe joints, tighten them with wrench and adjust to the horizontal level with 150mm distance.
4. Insert washers into connecting nuts, pad escutcheons on connecting nuts. Screw connecting nuts to eccentric nuts firmly, then close escutcheons to the wall.
5. Insert shower pipe into middle joint vertically, adjust centre line of shower pipe and middle joint screw hole in alignment, fix them with M6×12 screw and screw connecting rod to M6×12 screw.
6. Connect faucet body and middle joint, pad mounting base to connecting rod, adjust middle joint to vertical, mark on the wall on base of hole of mounting base.
7. Disassemble mounting base and middle joint, cover faucet body with cloth bag(to avoid sand drop on the faucet body when drilling), drill 2 8mm holes at mark position and insert anchors, firm mounting base on the wall with self-tapping screw, then install mounting plate.
8. Reconnect middle joint and faucet body firmly. Insert connecting rod to mounting base and fix with M6 screw.
9. Connect rainshower to shower pipe firmly to avoid rainshower loose or fall off during usage.
10. Connect handshower and hose, run water to check if the installation is qualified.

## ■ Maintenance Diagram



## ■ Maintenance

If water flow is less or failure of temperature control after a period of usage (possibly because the filtering net of thermostatic cartridge is blocked by dirt). Shut off the feed valve, take out the cap with a sharp-ended tool as figure, then remove locking screw, handwheel, stop collar, packing nut and the thermostatic cartridge in turn. Clean filtering net of thermostatic cartridge with brush and vinegar, then reassemble all parts back in turn. Note to keep the four parts in alignment: the slot on thermostatic cartridge, slot mark on faucet body, stop collar and mark of 38°C on handwheel.