

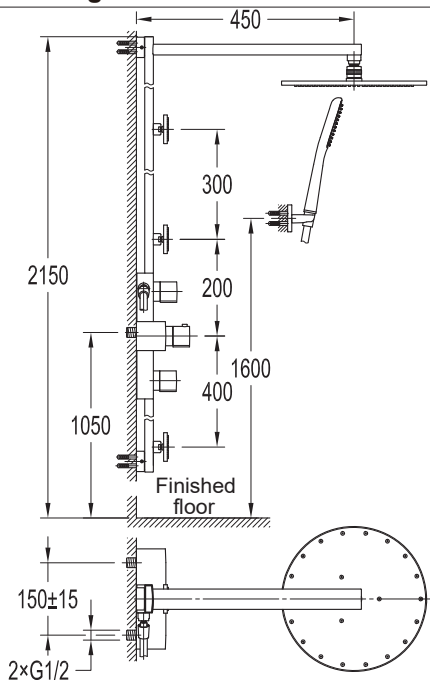
INSTRUCTION MANUAL

BS01661943

I. Installation Notice

1. Install water pipes in accordance with this manual. Floor drain should be installed on the site.
2. All the components except mixer body should be installed only after the completion of house interior decoration in case paint or other chemicals erode the mixer surface.
3. Run water to clean pipes so as to get rid of mud, sand or other debris blocked in pipes before installation.
4. If the thread does not match well with the water pipe, please identify the cause first; otherwise a forced connection will damage the faucet.
5. After installation, check all the joints to ensure they are firmly connected. Turn on and off the water repeatedly to ensure there is no leakage around the joints. After that, the product is ready for normal use.
6. Keep the manual to users.

II. Installation Diagram

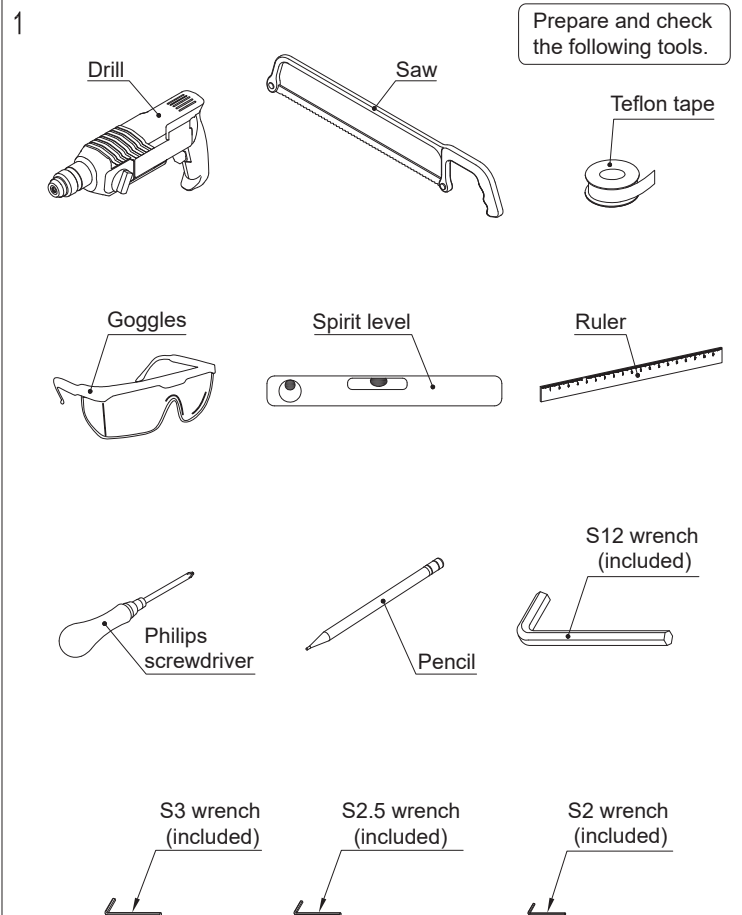


III. Operation Notice

1. The product is used at cold water temperature 4~29°C, hot water temperature 55~85°C and water pressure 0.10~1.0 MPa. To avoid large pressure difference between hot and cold water, the thermostatic cartridge is preferably in use under the condition of water pressure 0.3 MPa, cold water 15°C, hot water 65°C. Main valve should be equipped with a filter.
2. To avoid using the faucet as hand rail, a separate hand rail must be installed if needed. Do not hang heavy objects on the mixer.
3. Make sure the faucet is off when no water comes out of it, especially when nobody resides in or during the period of decoration or suspension of water.
4. Regularly clean the surface of faucet to keep it bright. Attention: Do not use inappropriate tools such as sharp brushes, rough sponges, scouring pads or corrosive detergent to clean the faucet. It is not recommended to use the detergent sold in the market, because its formula changes frequently. Please clean the faucet with wet cloth and soapy water after usage. Then rinse the soap off with clean water and dry with a soft cotton cloth.
5. Residues of shampoo, shower gel, hair dye, perfume, shaving water, nail polish, toothpaste and other substances may cause damage to the product. Please carefully rinse residues with clean water after use. Also, do not store detergents and chemicals under the product, such place as vanity cabinet of washbasin; otherwise volatile gases will damage the product.
6. When indoor temperature falls below 0°C, take necessary measures (keep the product warm, close windows) to prevent the product from frost cracking, especially when windows open for air ventilation while nobody in the house.
7. Adjust the temperature before use and do not touch the mixer body to avoid scald.
8. Sensitive parts of the body, such as eyes, must be kept out of water flows from shower head and sufficient distance between shower head and human head is needed.
9. Children, adults with mental disorders should not be allowed to use the shower system without supervision, nor should people affected by alcohol or drugs.
10. Do not disassemble the product without help from the professionals.

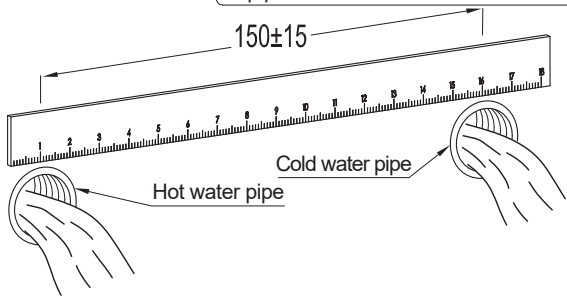
IV. Installation Steps (Fig. 1-30):*

The installation diagram is only for reference. The product is subject to the real object.



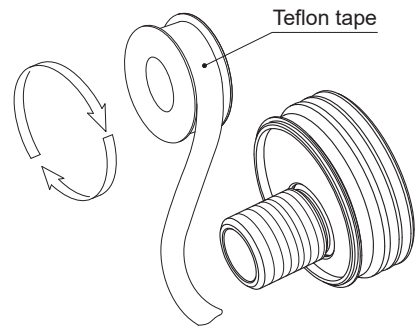
2

In the wall about 1000mm above the ground, install hot and cold water pipes with the distance 150mm in between. Please note that inlets must be connected for hot left and cold right. Otherwise thermostatic cartridge will malfunction, or even cause scalding. Run water to get rid of the debris in pipes.



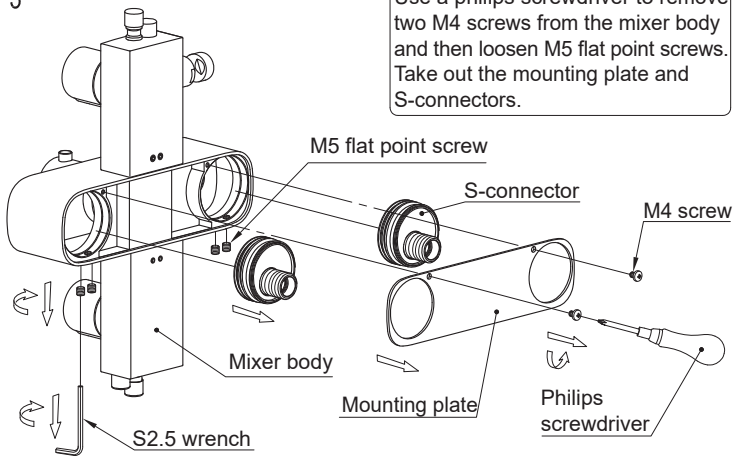
6

Wrap two S-connectors with teflon tape.



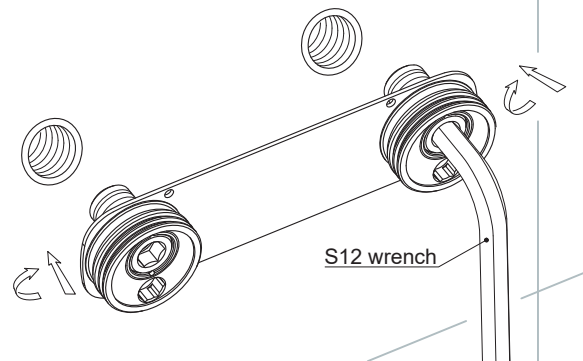
3

Use a philips screwdriver to remove two M4 screws from the mixer body and then loosen M5 flat point screws. Take out the mounting plate and S-connectors.



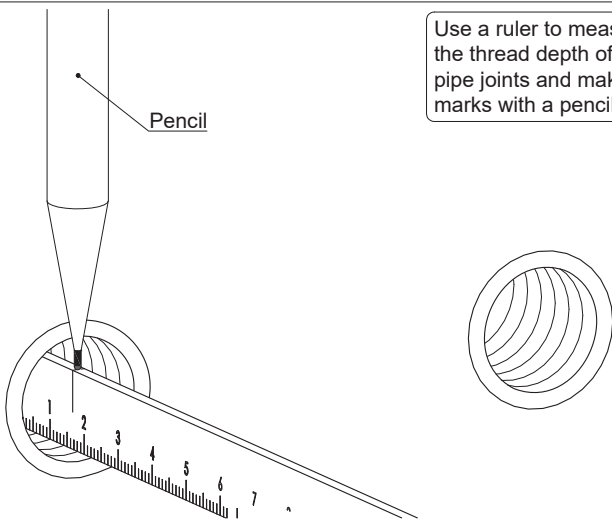
7

Pass two S-connectors through the mounting plate to connect the pipe joints. Slightly tighten the inlet threaded adapters with a S12 wrench.



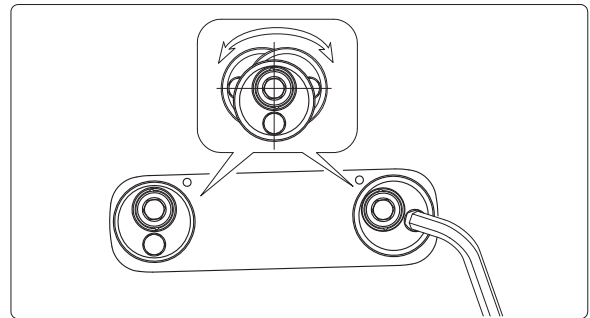
4

Use a ruler to measure the thread depth of the pipe joints and make marks with a pencil.



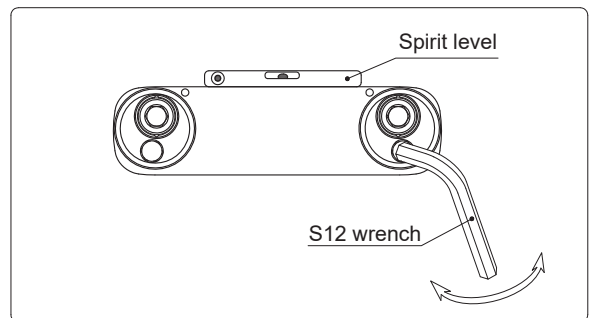
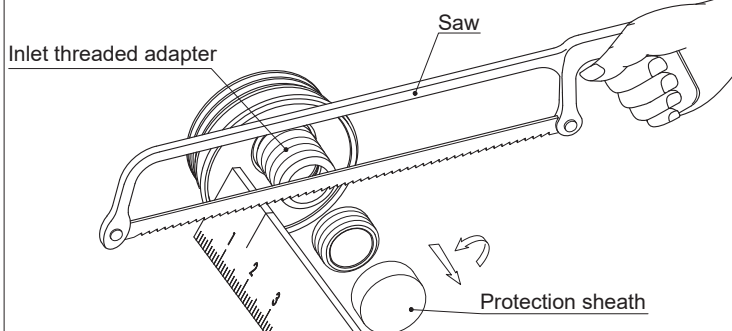
8

Use a S12 wrench to adjust two S-connectors to the position when the mounting plate is level. Then check with a spirit level.



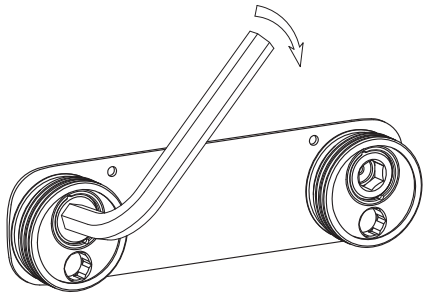
5

Take the protection sheath off the inlet threaded adapters. Use a ruler to measure the thread length of inlet threaded adapters, which must be less than the thread depth of pipe joints; otherwise excessive parts must be cut off with a saw.



9

Tighten the inlet threaded adapter with a S12 wrench.



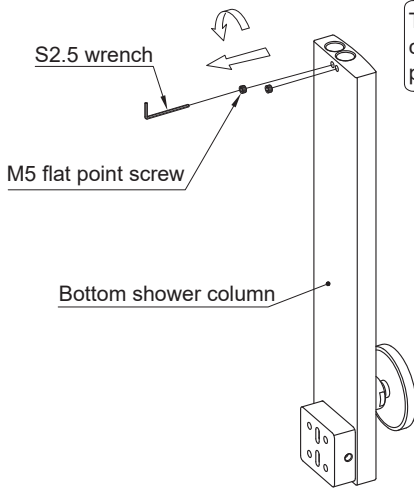
10

S2.5 wrench

M5 flat point screw

Bottom shower column

Take off the bottom shower column. Loosen the M5 flat point screw with a wrench.



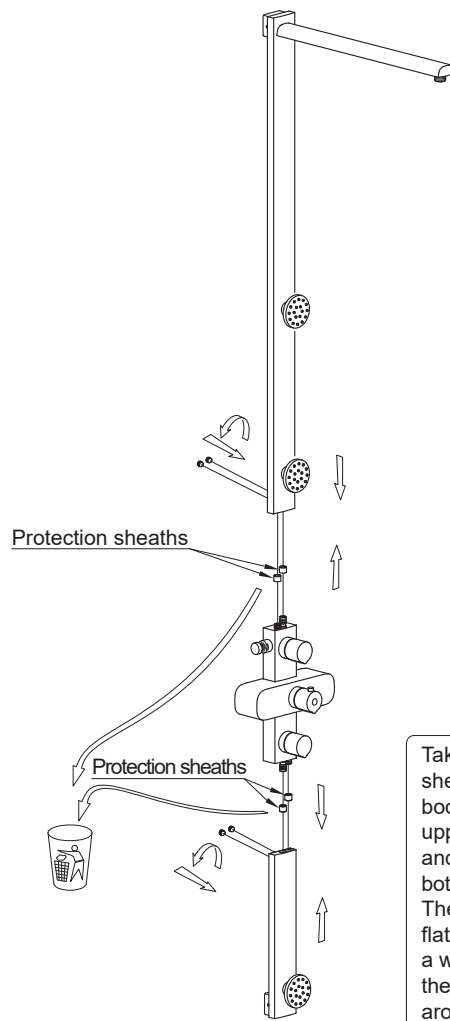
12

Protection sheaths

Protection sheaths



Take the protection sheaths off the mixer body. Connect the upper shower column and mixer body to the bottom shower column. Then tighten the M5 flat point screws with a wrench. Note that there is no space around the joints.



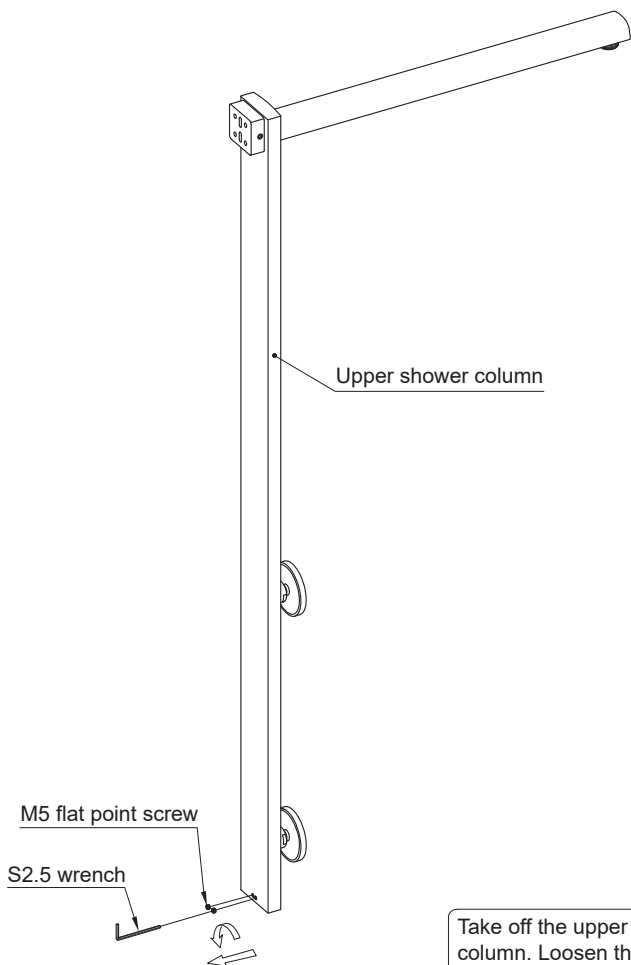
11

Upper shower column

M5 flat point screw

S2.5 wrench

Take off the upper shower column. Loosen the M5 flat point screw with a wrench.

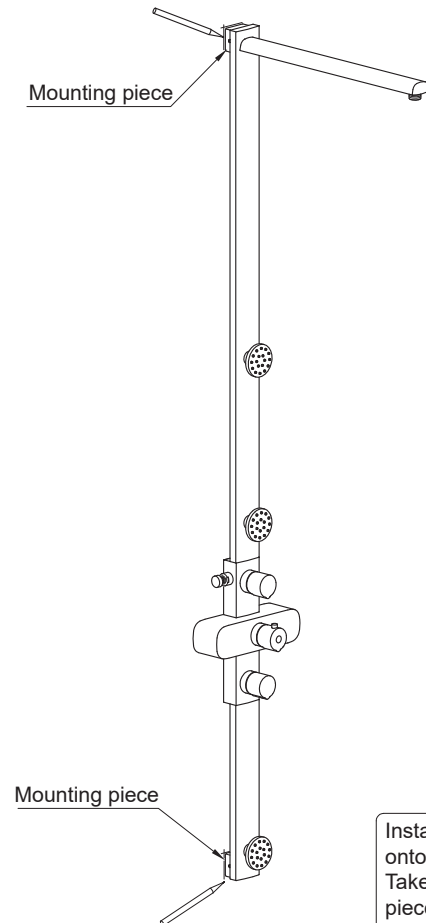


13

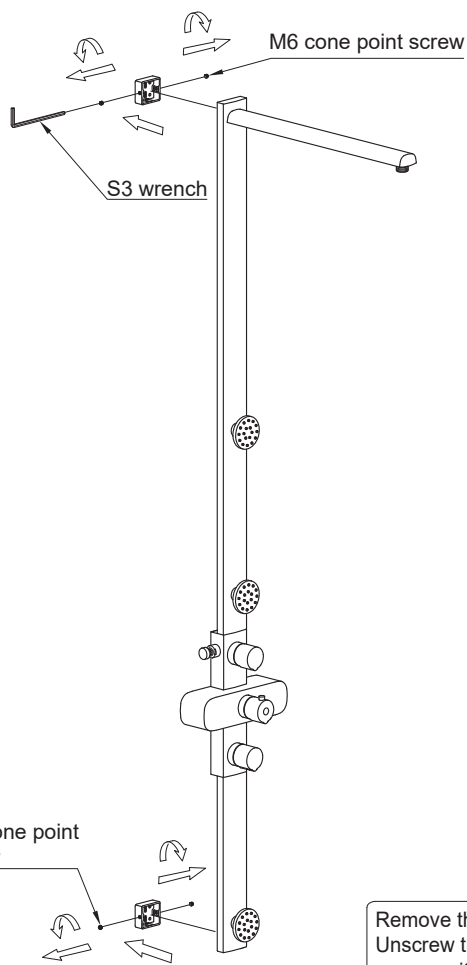
Mounting piece

Mounting piece

Install the mixer body onto the S-connectors. Take the two mounting pieces as benchmark to mark lines on the wall.

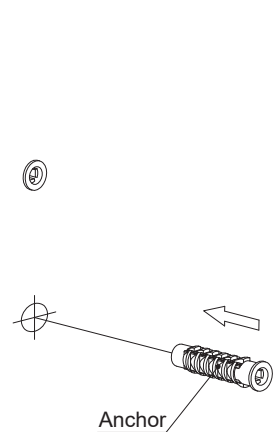


14



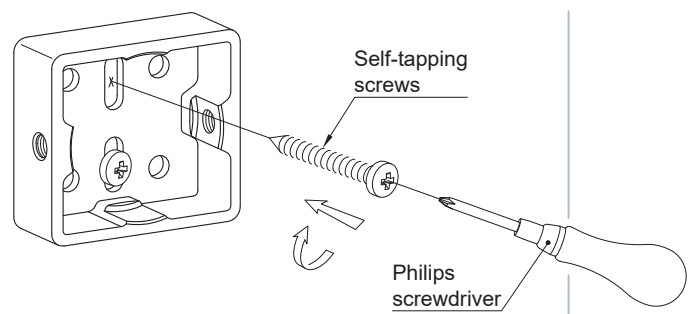
Remove the mixer body. Unscrew the M6 cone point screws with a S3 wrench, then take out the mounting pieces.

17



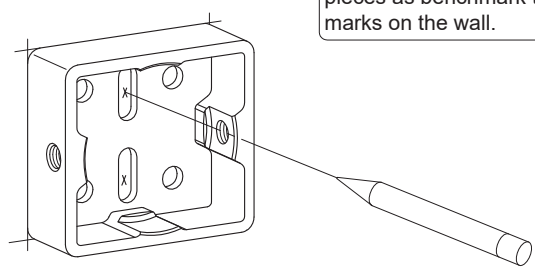
Insert the anchors.

18



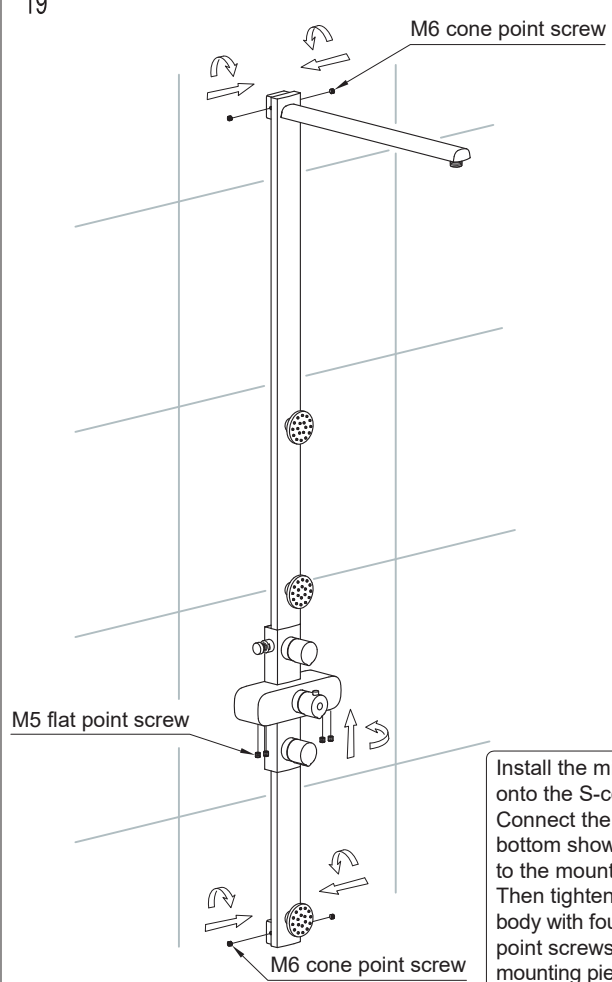
Fix the mounting pieces to the wall by self-tapping screws.

15



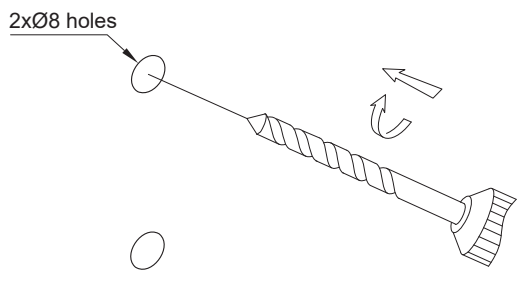
Align the mounting pieces with the lines marked in Diagram 13. Take two kidney slots on the mounting pieces as benchmark to make marks on the wall.

19



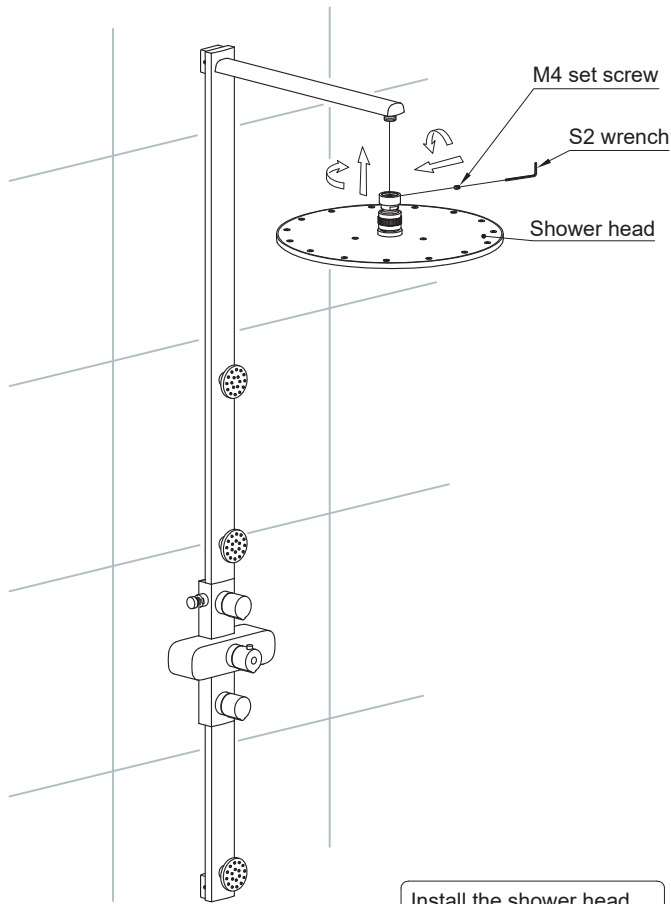
Install the mixer body onto the S-connectors. Connect the upper and bottom shower column to the mounting pieces. Then tighten the mixer body with four M5 flat point screws and the mounting piece with four M6 cone point screws.

16



Respectively drill two Ø8 holes at the upper and lower marked positions.

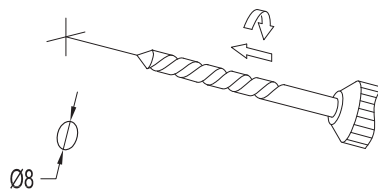
20



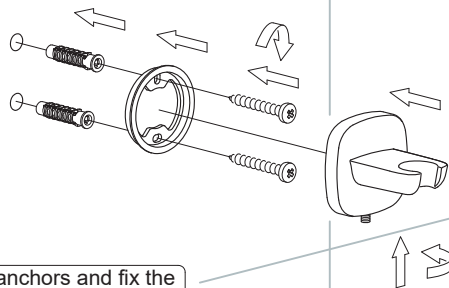
Install the shower head onto the mixer body, then tighten the M4 set screw.

23

Drill two Ø8 holes at marked positions.



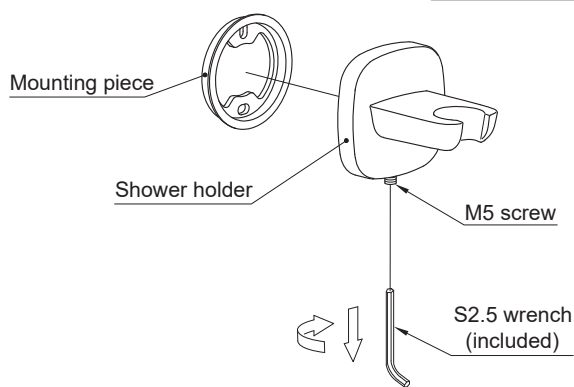
24



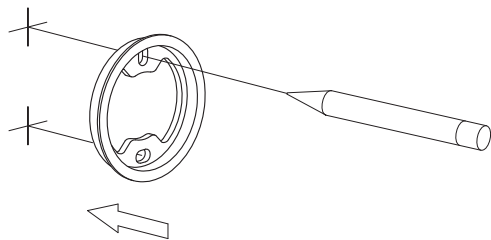
Insert the anchors and fix the mounting piece to the wall by self-tapping screws. Then install the shower holder and tighten with the M5 screw.

21

Loosen the M5 screw and take out the mounting piece.



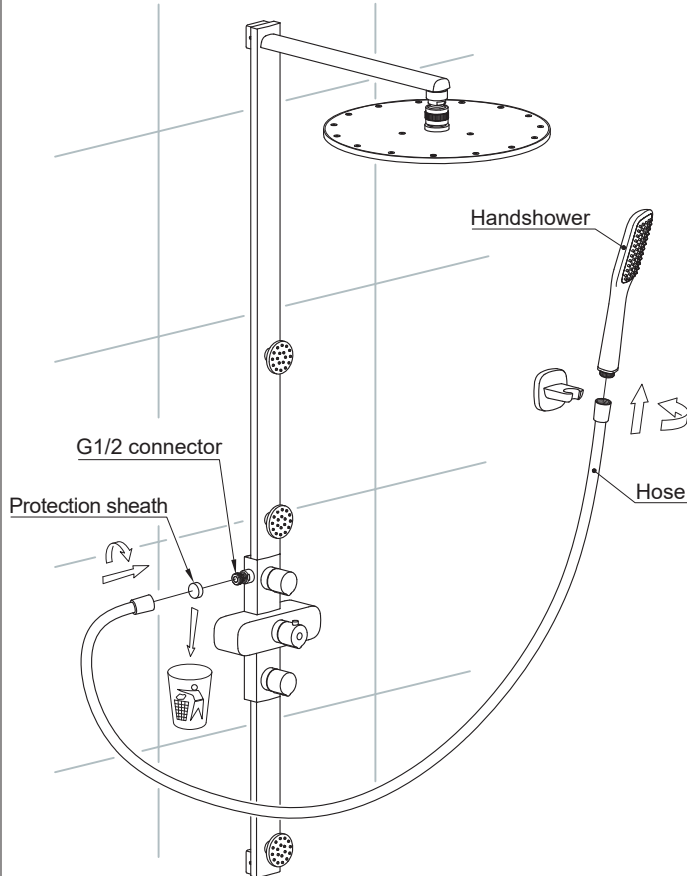
22



Take the kidney slots on the mounting piece as benchmark to mark lines on the wall.

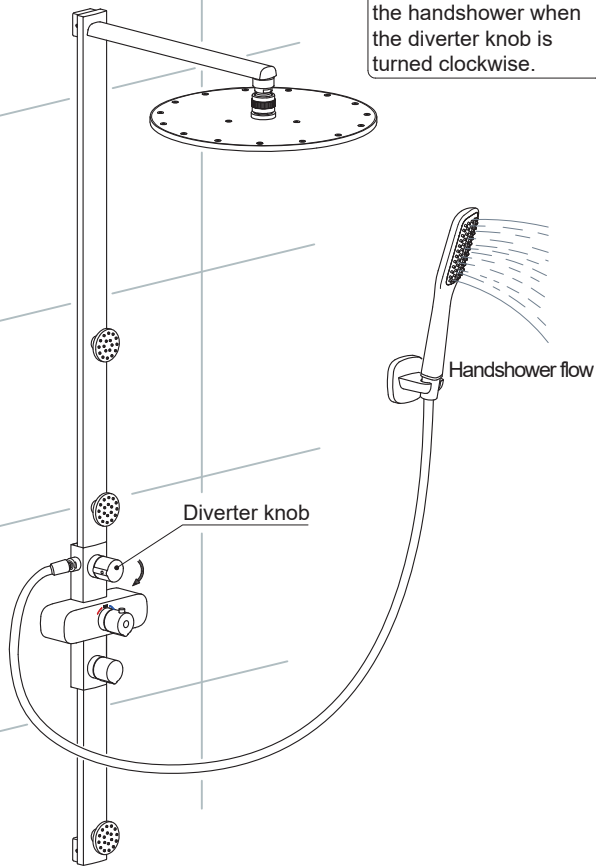
25

Remove the protection sheath from the G1/2 connector. Use a hose to connect the handshower to the G1/2 connector, then insert the handshower into its holder.



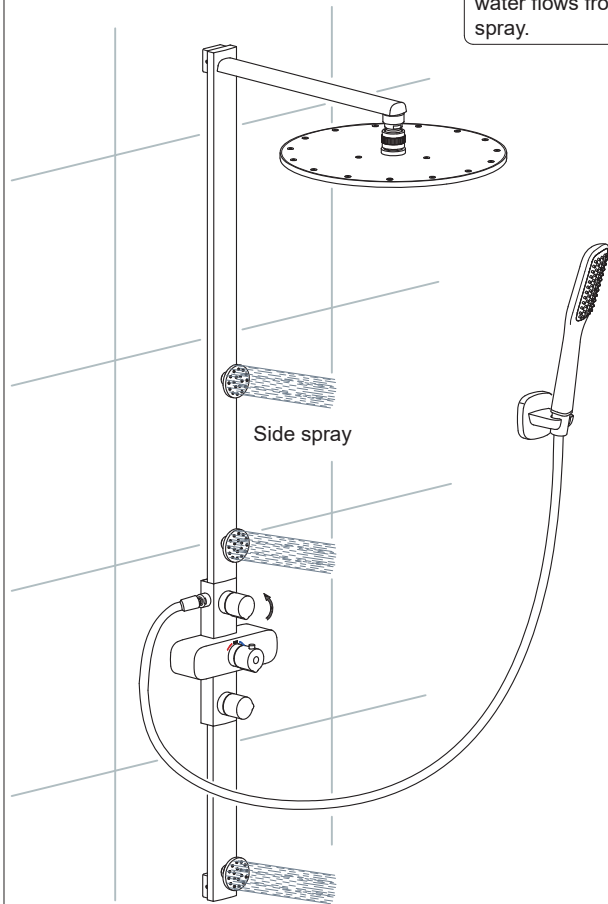
26

Double check if the installation is proper upon completion. The diagram shows water flows from the handshower when the diverter knob is turned clockwise.



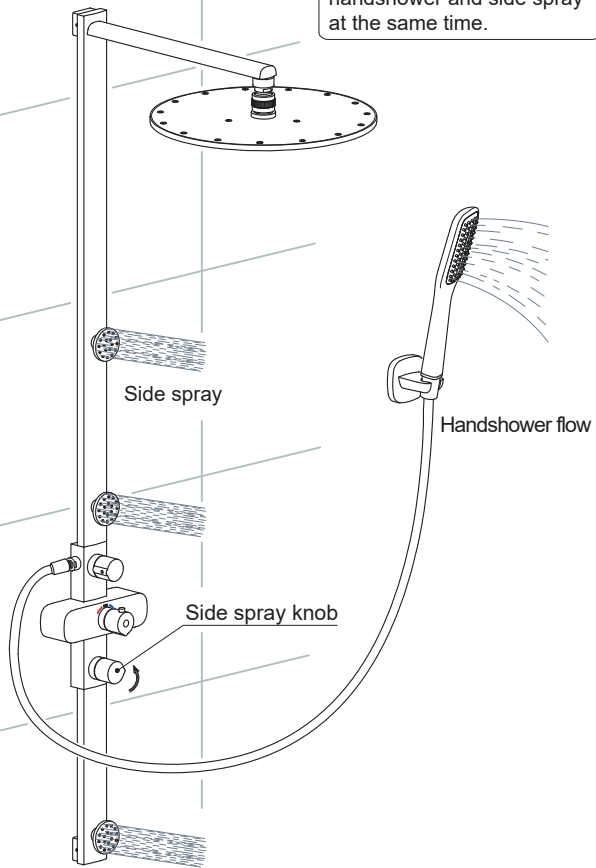
28

When the diverter knob is turned counterclockwise, water flows from the side spray.



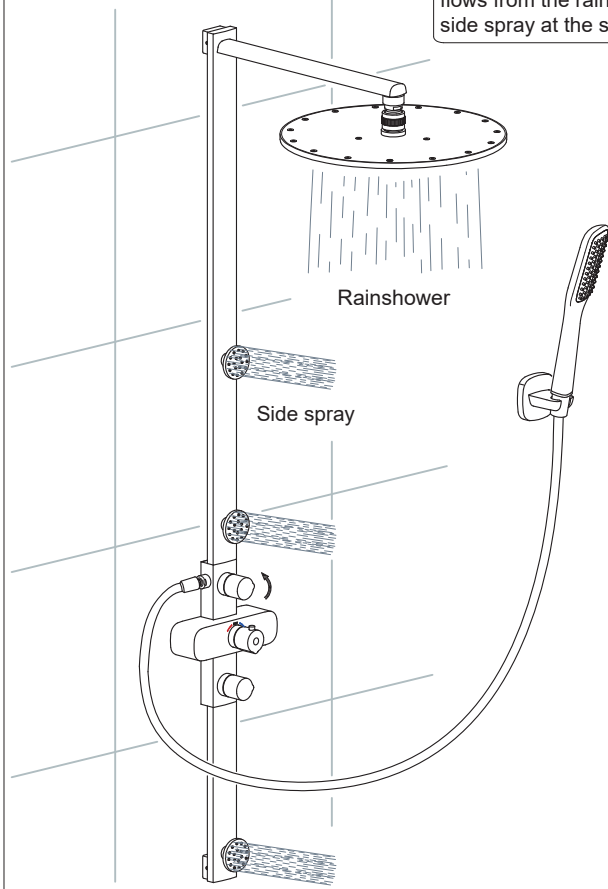
27

When the side spray knob is turned counterclockwise, water flows from the handshower and side spray at the same time.



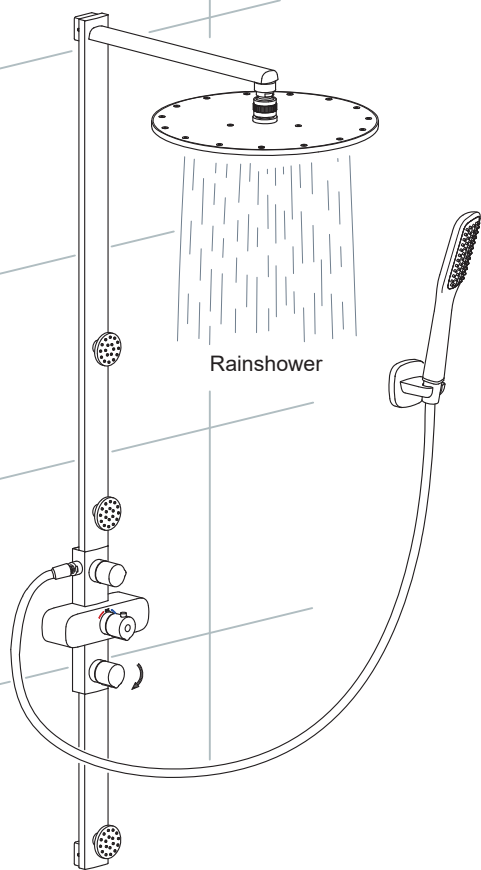
29

Continue to turn the diverter knob counterclockwise, water flows from the rainshower and side spray at the same time.



30

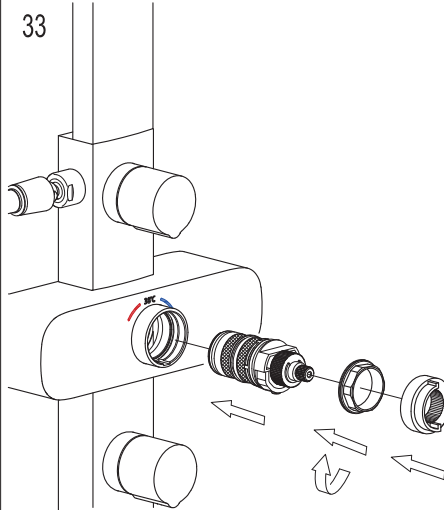
When the side spray knob is turned clockwise, water flows from the rainshower.



Rainshower

33

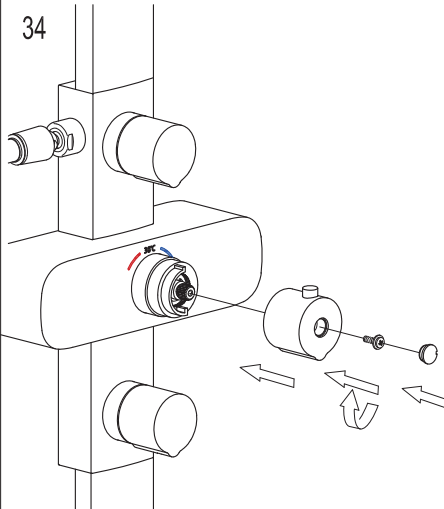
Assemble back the thermostatic cartridge. Tighten the lock nut and install the stop collar. Attention to the relevant position of slot, 38°C mark and stop collar.



Slot 38°C

34

Install the thermostatic handle. Tighten the screw and insert the cap. Attention to the relevant position of safety button and 38°C mark.



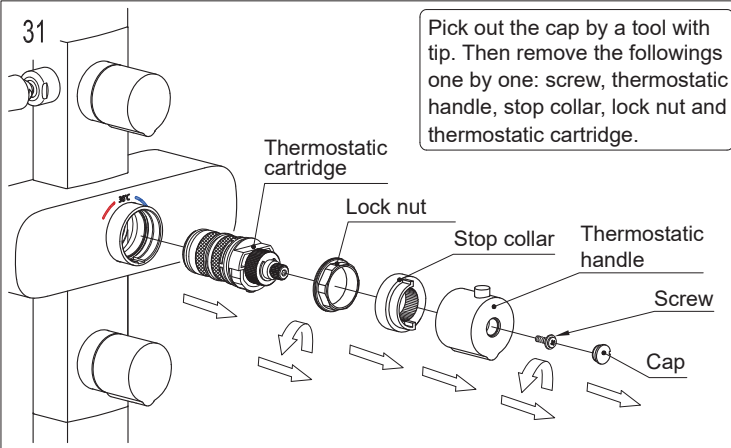
Safety button 38°C

V. Maintenance (Diagram 31-34):

If the flow rate becomes lessened or temperature control is imprecise after a period of usage, it is possibly because water of poor quality blocks the filter of the thermostatic cartridge. Please turn off the main inlet valve first, then do the cleaning as shown in Diagram 31-34.

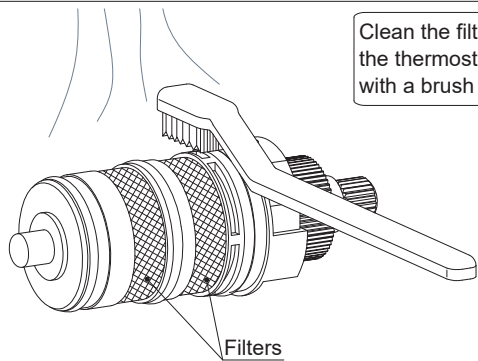
31

Pick out the cap by a tool with tip. Then remove the followings one by one: screw, thermostatic handle, stop collar, lock nut and thermostatic cartridge.



32

Clean the filter part of the thermostatic cartridge with a brush and vinegar.



Filters