

INSTRUCTION MANUAL

BS01781430

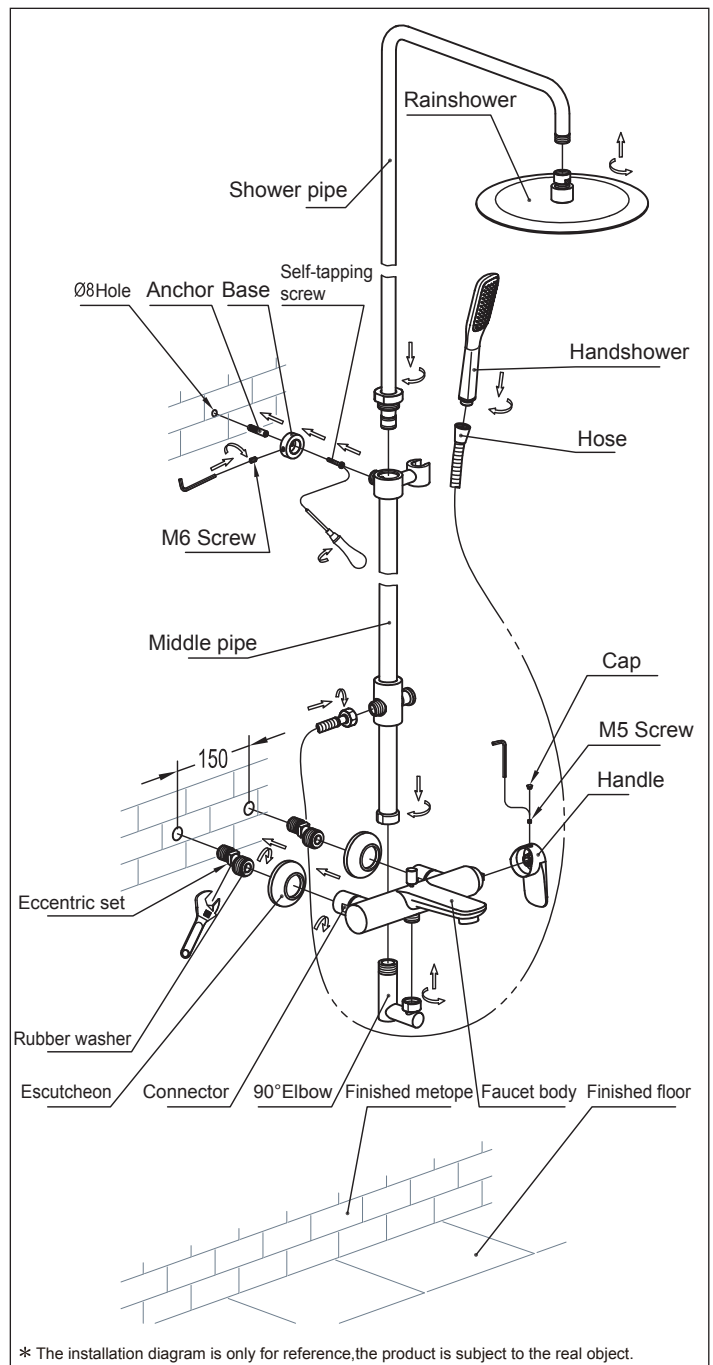
I. Installation Notice

1. Install water supply lines in accordance with this manual.
2. Floor drain should be installed in the location of the faucet.
3. Install faucets only after the completion of house interior decoration in case paint or other chemicals erode faucet surface.
4. Clean pipes before installation to get rid of mud, sand or other debris.
5. If the thread of pipes don't match well with product, please find out the reason first, otherwise a forced connection will damage the faucet.
6. After installation, ensure all the joints are firmly connected. Then turn on water supply and open faucet repeatedly to make sure there are no leaks. At this stage, the product is ready for normal use.
7. Keep the manual to the user.

II. Operation Notice

1. The working condition of this product is water pressure 0.05~1.0MPa, water temperature 4~90°C.
2. Do not hang heavy things on the faucet.
3. Make sure the faucet is off when no water comes out of it (especially when nobody resides in or during the period of decoration or suspend of water).
4. Regularly clean the surface of faucet to keep it bright. Attention: do not use inappropriate tools such as sharp brushes, rough sponges, scouring pads or corrosive detergent to clean the faucet, and we do not recommend that you use the detergent sold in the market, because its formula is changing frequently. Please clean the faucet by a wet cotton cloth with soapy water, then rinse and dry with a soft cotton cloth after each time of usage.
5. When the room temperature drops to below 0°C, take necessary measures (such as keeping faucet warm and closing windows) to prevent the faucet from being frozen or even broken (especially when windows kept open for air ventilation while nobody resides in).
6. Please open the cold and hot water in turn and adjust to comfortable temperature before washing to avoid scald.
7. Do not disassemble the product unless you are an expert.

■ Installation Diagram



■ Installation Steps

1. Pave inlet pipes 1m over the ground as hot left and cold right, center distance between them is 150mm as figure.
2. Wrap two eccentric sets (with rubber washer) with teflon tape, connect to the pipe joint and fix by wrench, adjust to parallel position with center distance 150mm.
3. Fit escutcheon on connector, screw and fix connector to eccentric set.
4. Close escutcheon to the metope tightly.
5. Install handle to faucet body, fix by M5 screw and insert cap.
6. Connect faucet body and middle pipe with 90° elbow, adjust middle pipe to vertical position, take base on middle pipe as benchmark to mark on the metope.
7. Take off middle pipe, drill $\Phi 8$ holes at mark position and insert anchors, fix base on the metope by self-tapping screw.
8. Insert shower pipe into middle pipe uprightly, connect bottom end of middle pipe with 90° elbow firmly, connect upper end to base and fix with M6 screw.
9. Connect rainshower to shower pipe firmly to avoid loose or fall off during usage, adjust shower pipe to suitable height and fix by locking nut.
10. Connect handshower and hose, run water to check the installation.