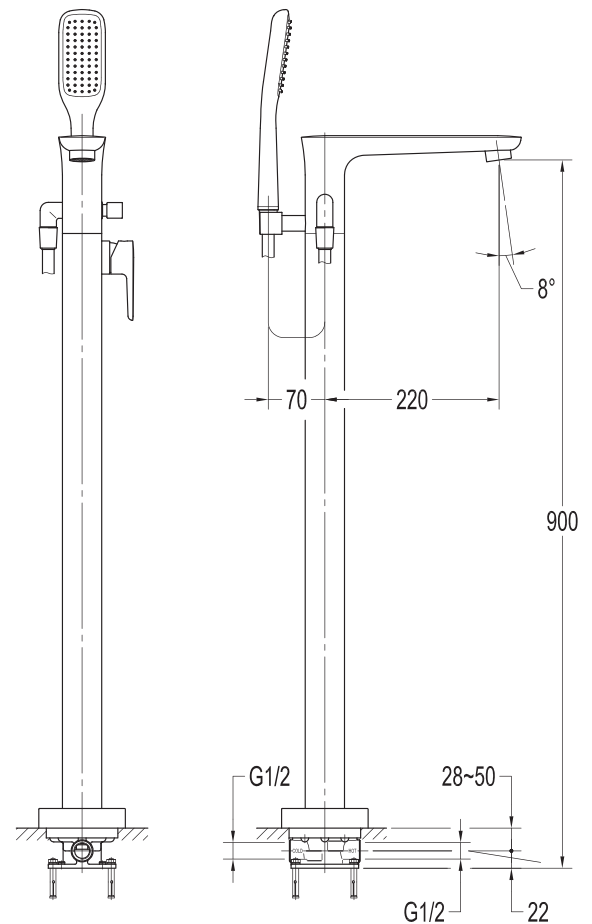


# INSTRUCTION MANUAL

BS01551840

## III. Installation Diagram



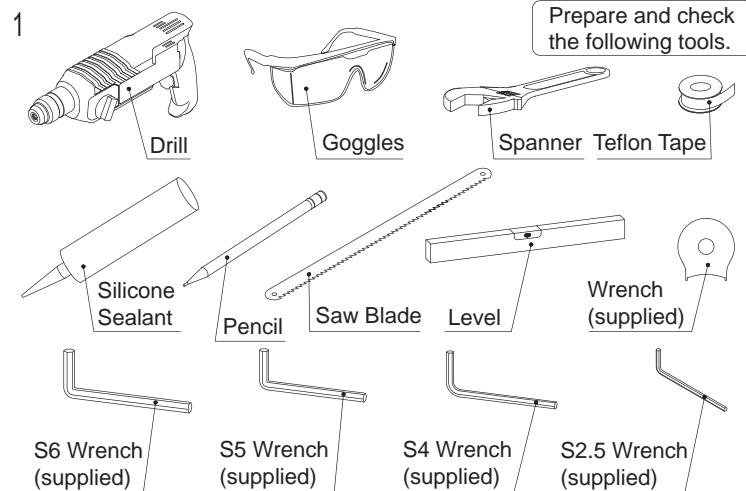
## I. Installation Notice

1. Install water pipes in accordance with this manual.
2. Floor drain should be installed in the location of the faucet.
3. Rough-in box should be installed before ground construction. The associated mixer should be installed after the ground construction. The rough-in box on the inlet base shall not be cut or removed, and shall be protected to avoid damage to each rough-in box and inlet base during construction.
4. Clean pipes before installation to get rid of mud, sand or other debris.
5. If the thread of pipes don't match well with product, please find out the reason first, otherwise a forced connection will damage the faucet.
6. After installation, check all the joints to ensure they are firmly connected. Then keep water flow. Turn on and off repeatedly to ensure there is no leakage around the joints. At this stage, the product is ready for normal use.
7. Keep the manual to the user.

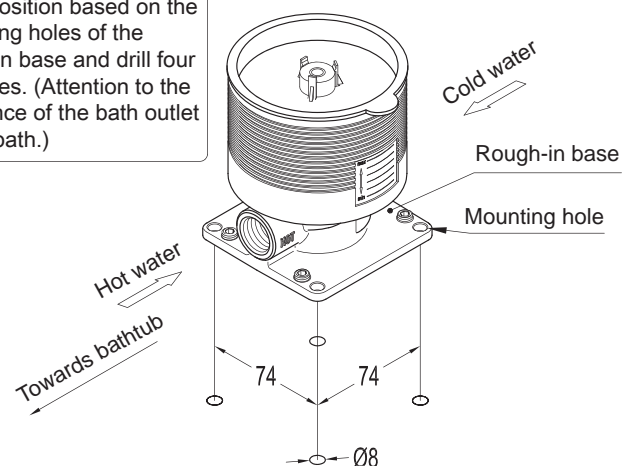
## II. Operation Notice

1. The working condition of this product is water pressure 0.05~1.0MPa, water temperature 4~90°C.
2. Do not hang heavy things on the faucet.
3. Make sure the faucet is off when no water comes out of it, especially when nobody resides in or during the period of decoration or suspend of water.
4. Regularly clean the surface of faucet to keep it bright. Attention: do not use inappropriate tools such as sharp brushes, rough sponges, scouring pads or corrosive detergent to clean the faucet. It is not recommended to use the detergent sold in the market, because its formula changes frequently. Please clean the faucet by a wet cotton cloth with soapy water, then rinse and dry with a soft cotton cloth after each time of usage.
5. When the room temperature drops to below 0°C, take necessary measures (such as keeping faucet warm and closing windows) to prevent the faucet from being frozen or even broken (especially when windows kept open for air ventilation while nobody resides in).
6. Please open the cold and hot water in turn and adjust to comfortable temperature before use to avoid scald.
7. Do not disassemble the product without the help from the professionals..

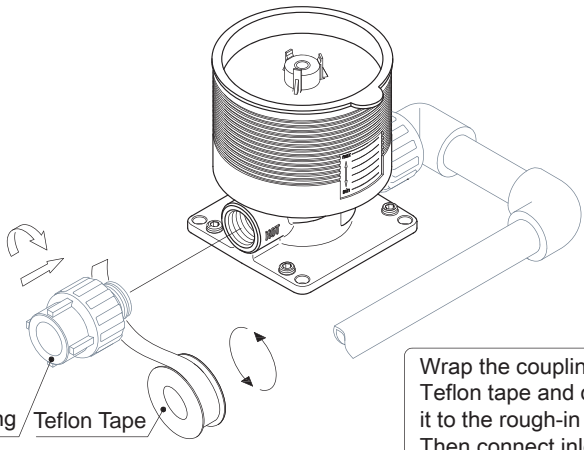
## IV. Installation Steps (Fig.1-20) : \* The installation diagram is only for reference. The product is subject to the real object.



Mark position based on the mounting holes of the rough-in base and drill four Ø8 holes. (Attention to the relevance of the bath outlet to the bath.)



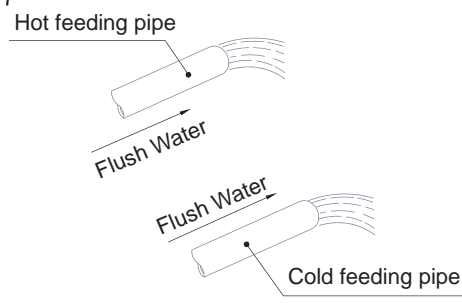
3



Coupling Teflon Tape

Wrap the coupling with Teflon tape and connect it to the rough-in base. Then connect inlet pipes of proper length.

7



Hot feeding pipe

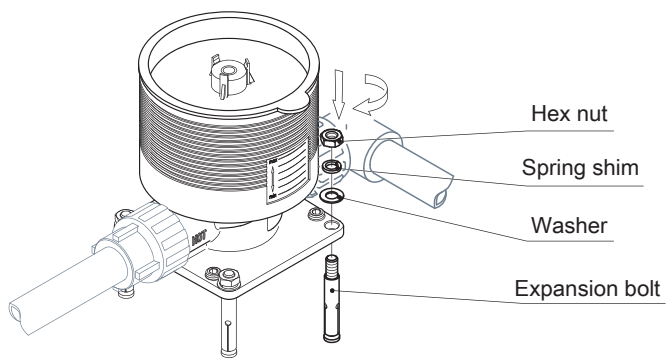
Flush Water

Flush Water

Cold feeding pipe

Run water to get rid of any debris inside pipes. Connect cold and hot water pipes. Attention that the HOT mark is to the hot water pipe and COLD mark to the cold pipe.

4



Hex nut

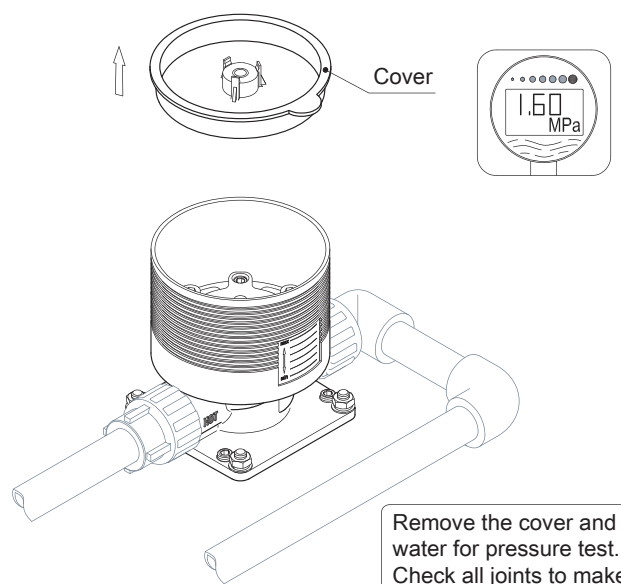
Spring shim

Washer

Expansion bolt

Install four expansion bolts into the rough-in base and tighten hex nuts.

8

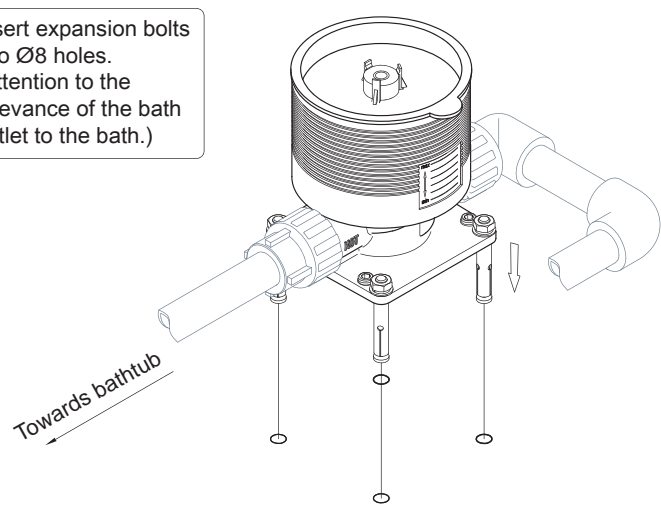


Cover



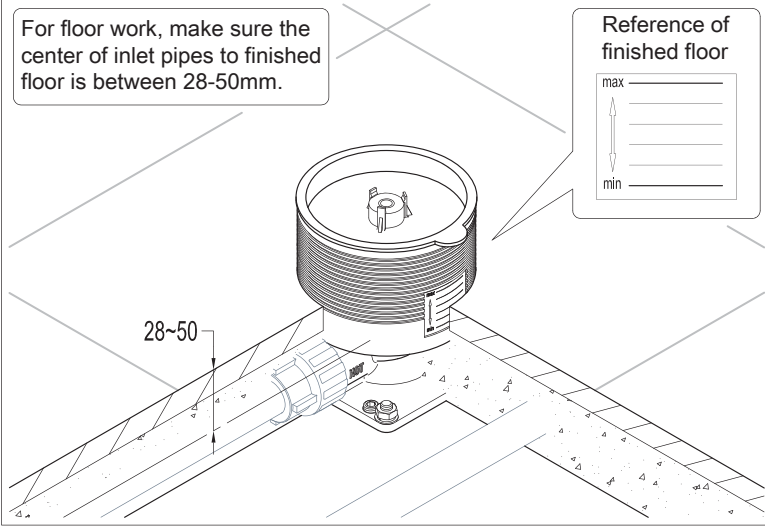
Remove the cover and run water for pressure test. Check all joints to make sure no leakage. Then put back the cover.

Insert expansion bolts into Ø8 holes. (Attention to the relevance of the bath outlet to the bath.)

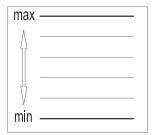


Towards bathtub

For floor work, make sure the center of inlet pipes to finished floor is between 28-50mm.

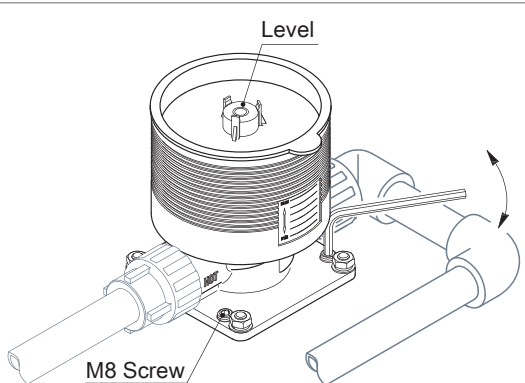


Reference of finished floor



28-50

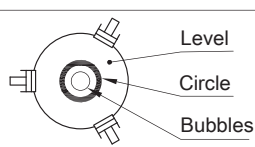
6



Level

M8 Screw

Adjust M8 screws on the rough-in base to its level position and then tighten hex nuts.



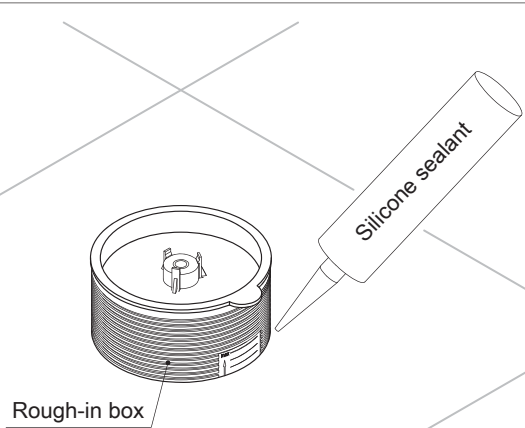
Level

Circle

Bubbles

When bubbles inside the level are in the center of the circle, the rough-in base is at level position.

10

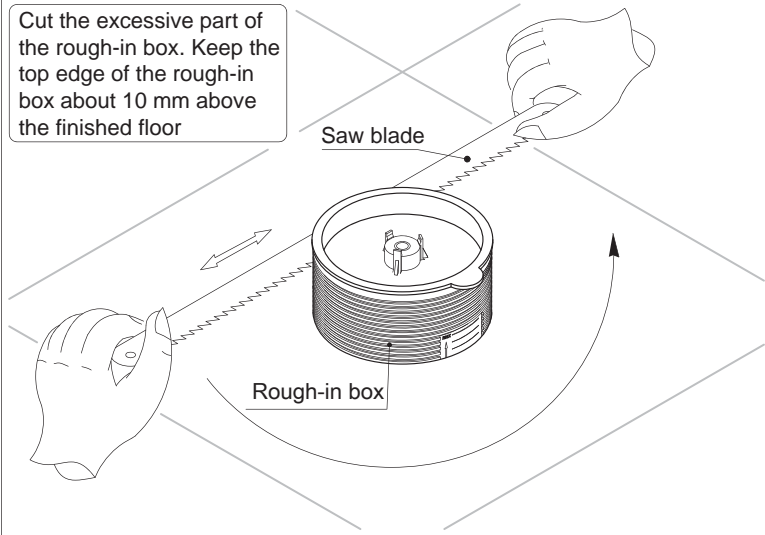


Silicone sealant

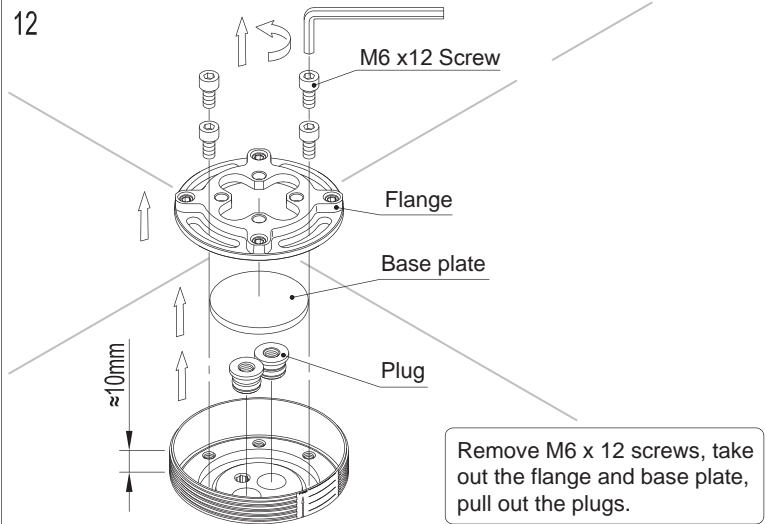
Rough-in box

Fill silicone sealant in between the rough-in box and finish floor such as tiles.

Cut the excessive part of the rough-in box. Keep the top edge of the rough-in box about 10 mm above the finished floor

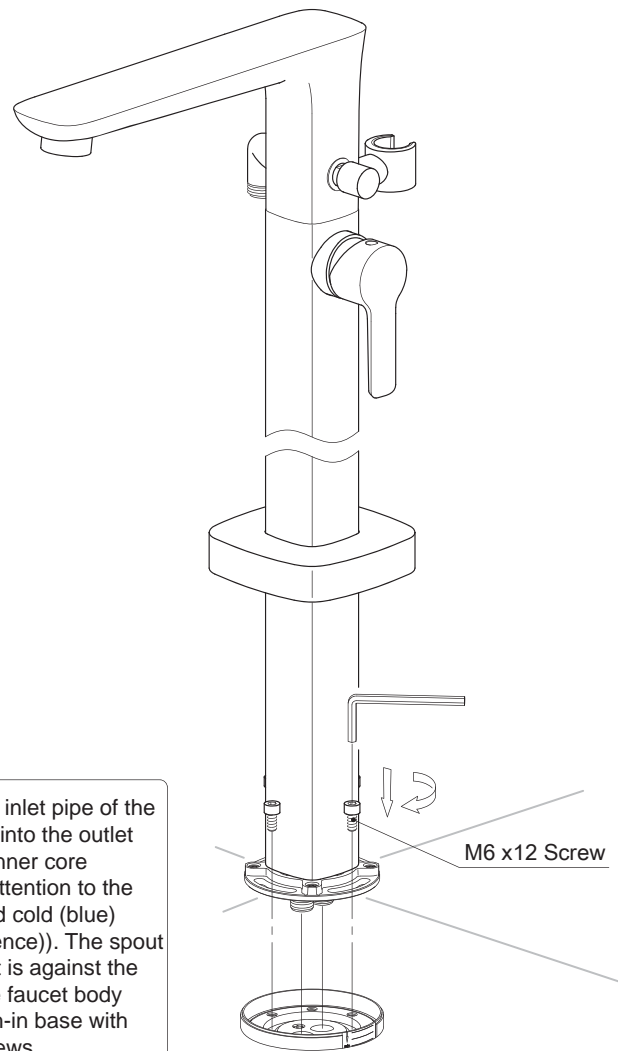


12

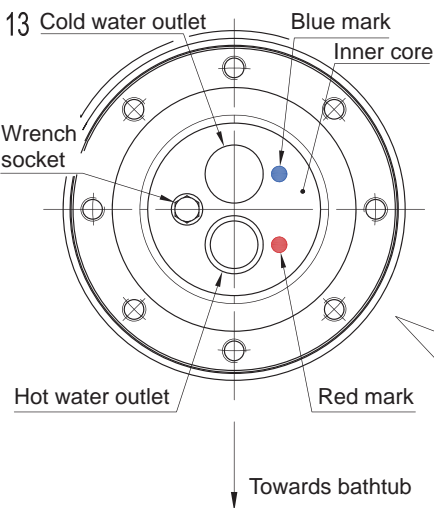


Remove M6 x 12 screws, take out the flange and base plate, pull out the plugs.

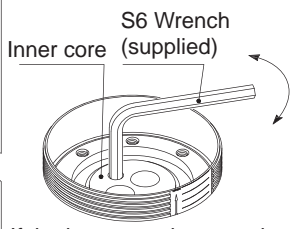
15



Connect the inlet pipe of the faucet body into the outlet hole of the inner core vertically ((attention to the hot (red) and cold (blue) correspondence)). The spout of the faucet is against the bath. Fix the faucet body on the rough-in base with M6 x 12 screws.

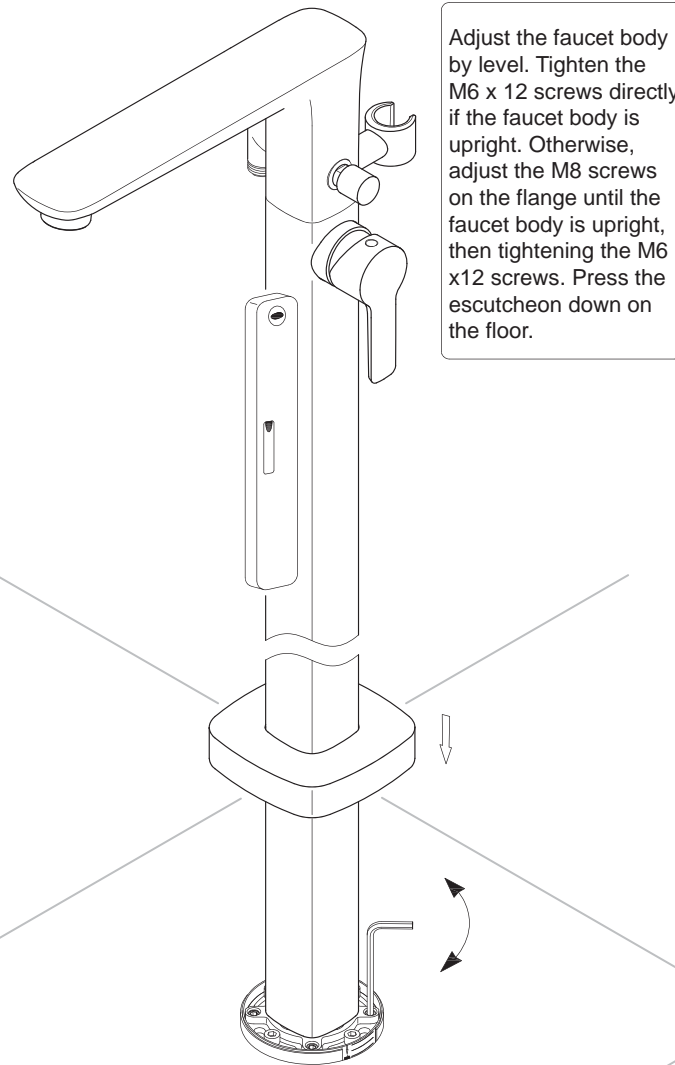


Make sure the inner core is at the position as shown in the diagram. The hot water outlet should face towards the bathtub.

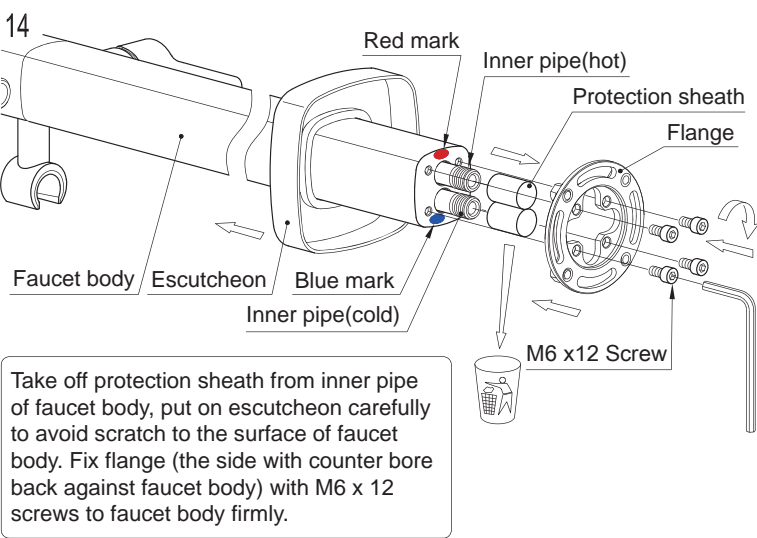


If the inner core is not at the correct position as shown in the diagram, please adjust the inner core with a S6 wrench.

16

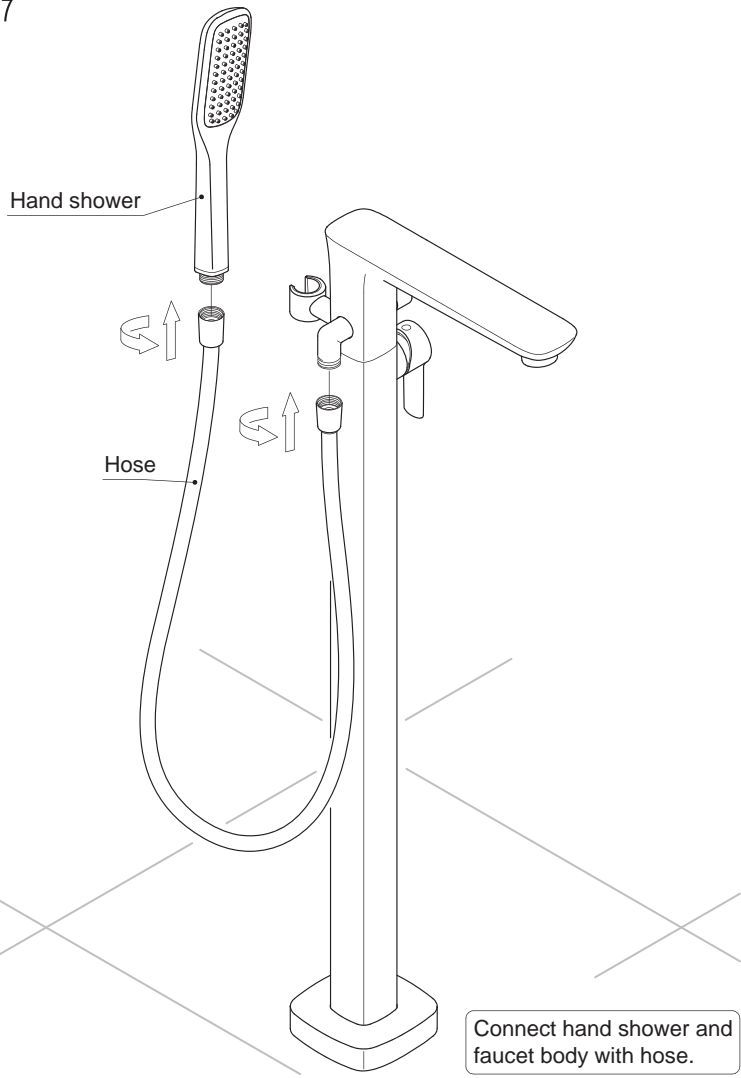


Adjust the faucet body by level. Tighten the M6 x 12 screws directly if the faucet body is upright. Otherwise, adjust the M8 screws on the flange until the faucet body is upright, then tightening the M6 x 12 screws. Press the escutcheon down on the floor.

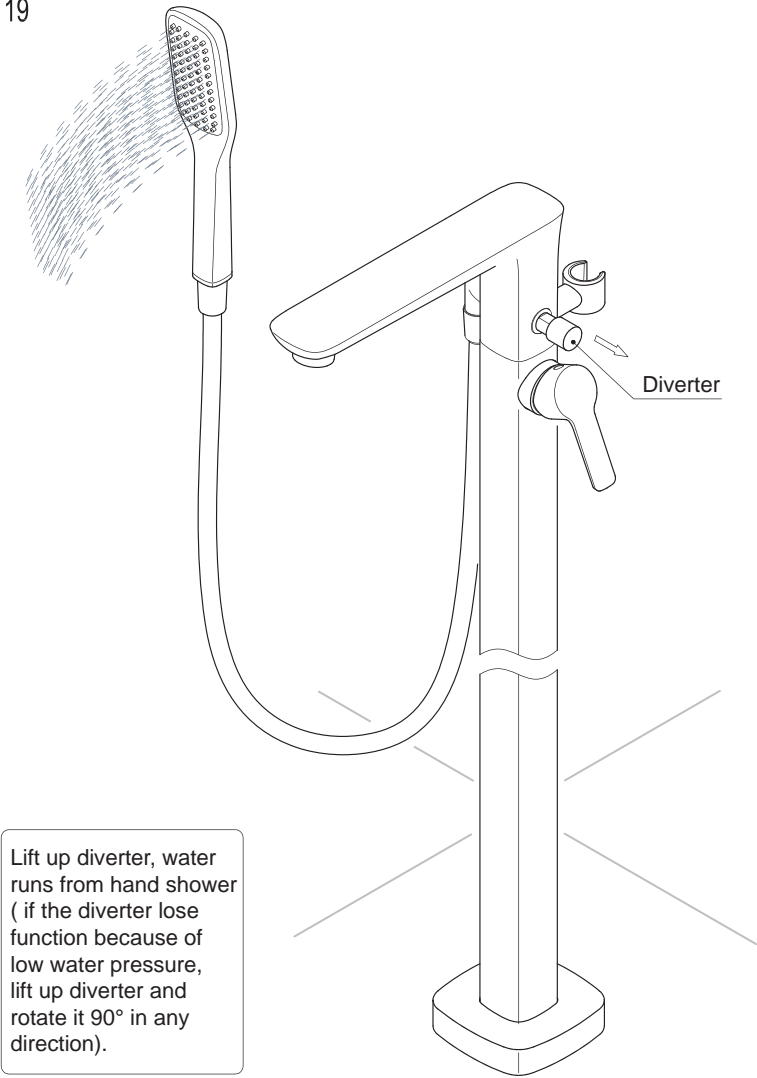


Take off protection sheath from inner pipe of faucet body, put on escutcheon carefully to avoid scratch to the surface of faucet body. Fix flange (the side with counter bore back against faucet body) with M6 x 12 screws to faucet body firmly.

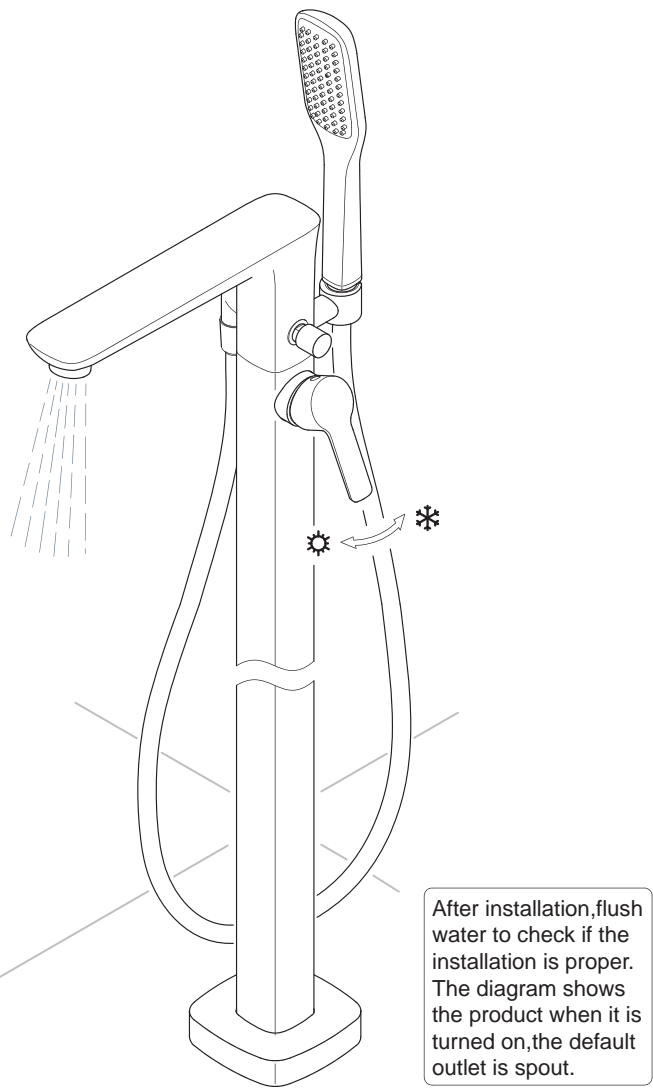
17



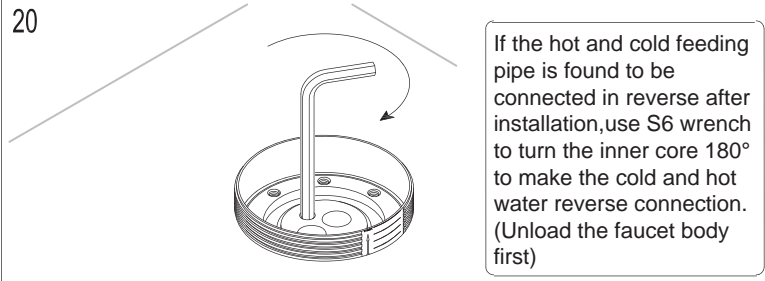
19



18



20



**V. Maintenance:**

If water flow from the hand shower becomes lessened or does not spray evenly, it might be due to debris blocking the outlet. Gently squeeze those rubber outlets on the hand shower with fingers as shown in Diagram 21. Then wash debris out with running water.

If water flow from the hand shower is normal, but the volume from the bath outlet lessens, it might be due to debris blocking the aerator. Take off the aerator and install back after washing it as shown in Diagram 22.

