

INSTRUCTION MANUAL

BS03332221

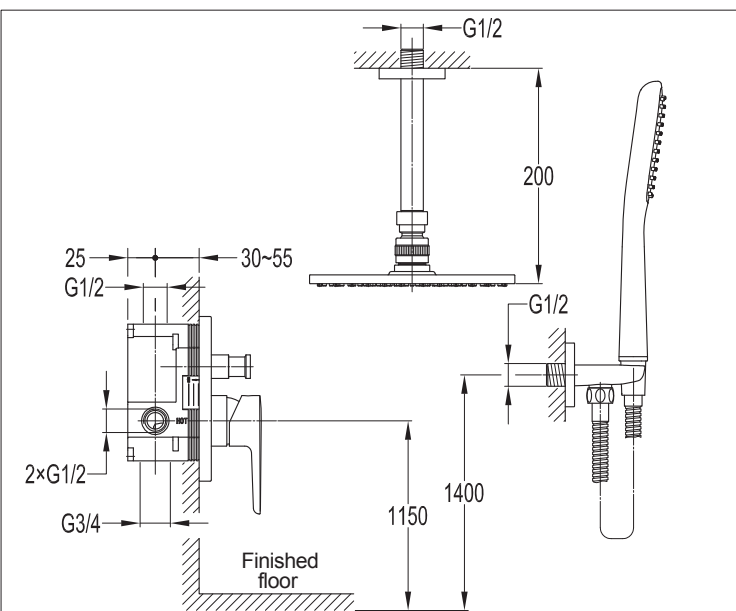
III. Operation Notice

1. The product is used at water pressure 0.05~1.0MPa and water temperature 4~90°C. Main valve should be equipped with a filter.
2. Do not place heavy objects on the mixer. To avoid using the faucet as handrail, a separate handrail must be installed if needed.
3. Make sure the faucet is off when no water comes out of it, especially when nobody resides in or during the period of decoration or suspension of water.
4. Regularly clean the surface of faucet to keep it bright. Attention: Do not use inappropriate tools such as sharp brushes, rough sponges, scouring pads or corrosive detergent to clean the faucet. It is not recommended to use the detergent sold in the market, because its formula changes frequently. Please clean the faucet with wet cloth and soapy water after usage. Then rinse the soap off with clean water and dry with a soft cotton cloth.
5. Residues of shampoo, shower gel, hair dye, perfume, shaving water, nail polish, toothpaste and other substances may cause damage to the product. Please carefully rinse residues with clean water after use. Also, do not store detergents and chemicals under the product, such place as vanity cabinet of washbasin; otherwise volatile gases will damage the product.
6. When room temperature falls below 0°C, take necessary measures (keep the product warm, close windows) to prevent the product from frost cracking, especially when windows open for air ventilation while nobody in the house.
7. Turn on the cold water first, then hot water. Adjust the temperature before use to avoid scald.
8. Children, adults with mental disorders should not be allowed to use the shower system without supervision, nor should people affected by alcohol or drugs.
9. Sensitive parts of the body, such as eyes, must be kept out of water flows from shower head. Keep enough distance between the shower head and human head.
10. Do not disassemble the product without help from the professionals.

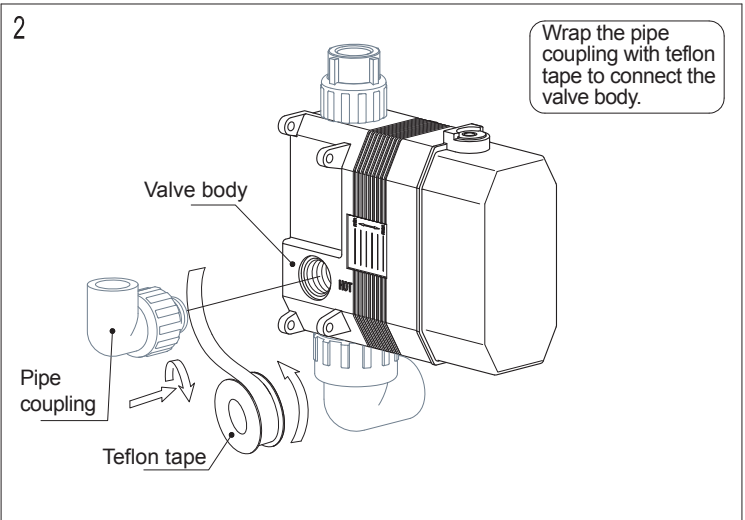
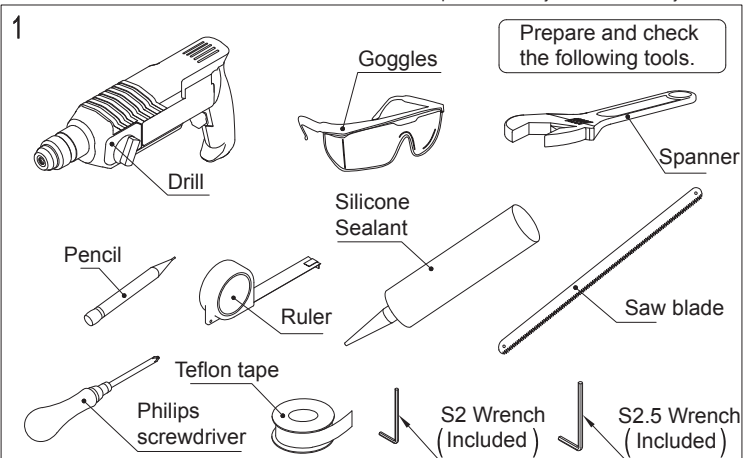
I. Installation Notice

1. Determine the in-wall depth of the SmartBOX according to the depth label on the SmartBOX. The finished wall must be located within the reference lines.
2. Install water pipes in accordance with this manual. Floor drain should be installed onsite.
3. All the components except mixer body should be installed only after the completion of house interior decoration in case paint or other chemicals erode the mixer surface.
4. Run water to clean pipes so as to get rid of mud, sand or other debris blocked in pipes before installation. Before tiling, run water to perform pressurized test and make sure no leakage after connecting pipes. If the thread does not match well with the water pipe, please identify the cause first; otherwise a forced connection will damage the product.
5. After installation, check all the joints to ensure they are firmly connected. Turn on and off the water repeatedly to ensure there is no leakage around the joints. Keep the manual to users.

II. Installation Diagram

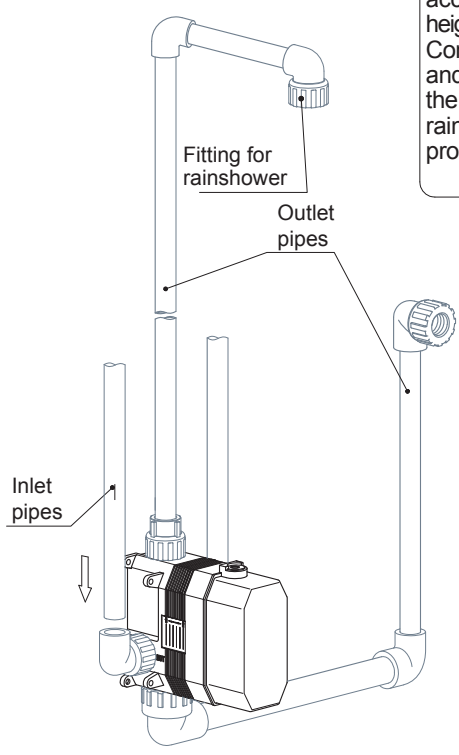


IV. Installation Steps (Fig.1-18) * The installation diagram is only for reference. The product is subject to the real object.



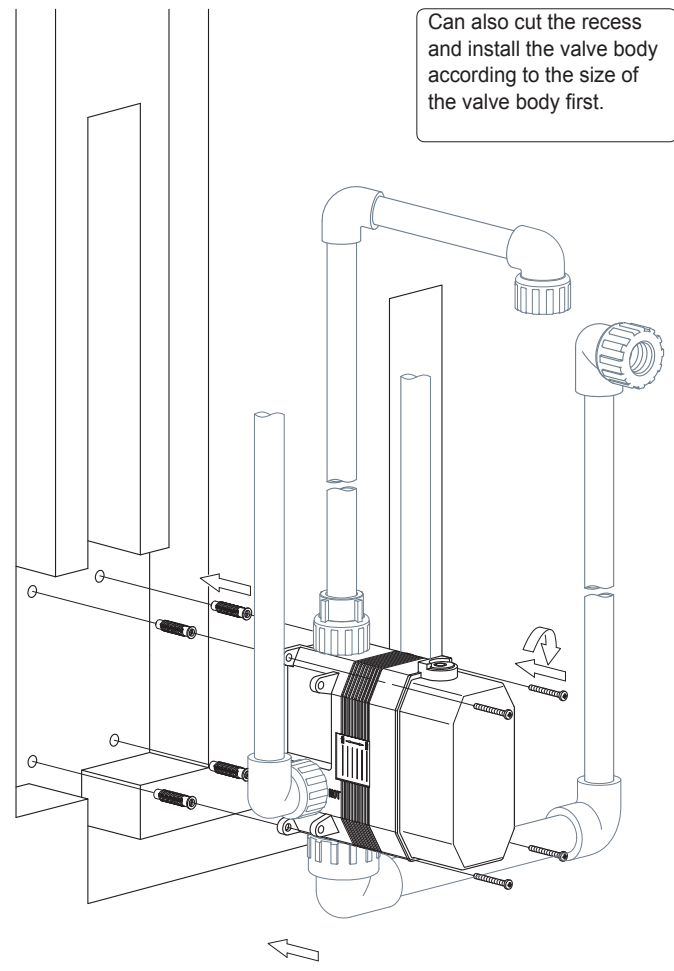
3

Plan the installation position of the valve body and rainshower according to the height of bathroom. Connect outlet pipes and inlet pipes to the fitting for rainshower in a proper length.



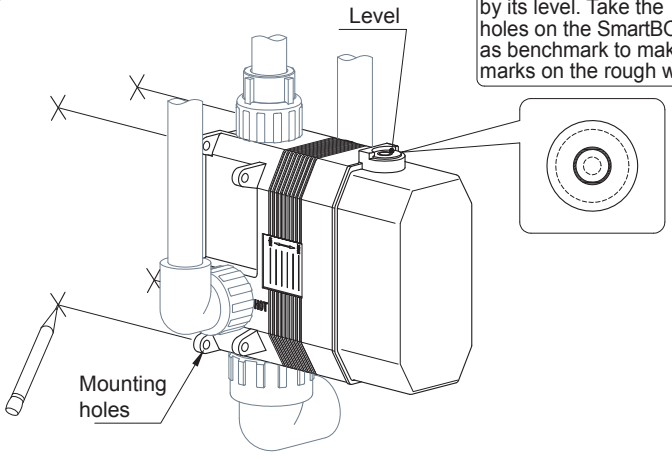
4b

Can also cut the recess and install the valve body according to the size of the valve body first.



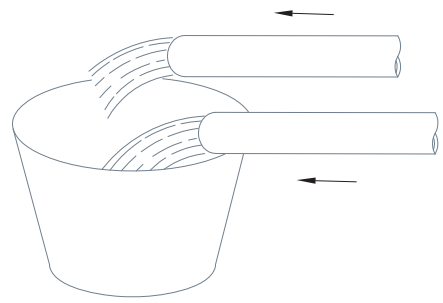
4a1

Adjust the SmartBOX by its level. Take the holes on the SmartBOX as benchmark to make marks on the rough wall.



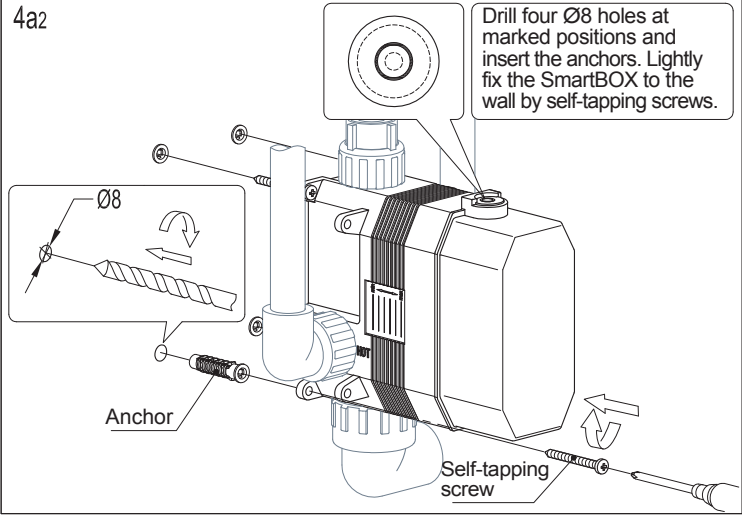
5

Flow water to get rid of the debris in pipes.



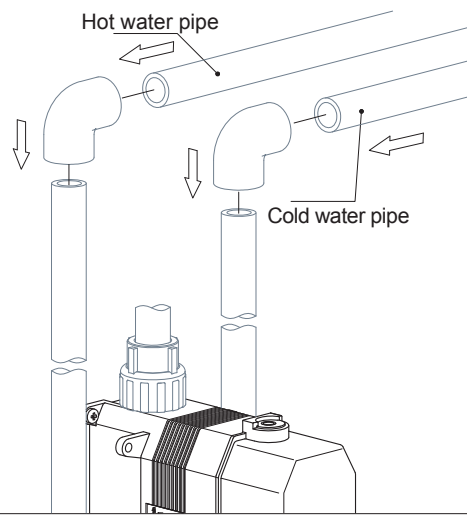
4a2

Drill four Ø8 holes at marked positions and insert the anchors. Lightly fix the SmartBOX to the wall by self-tapping screws.

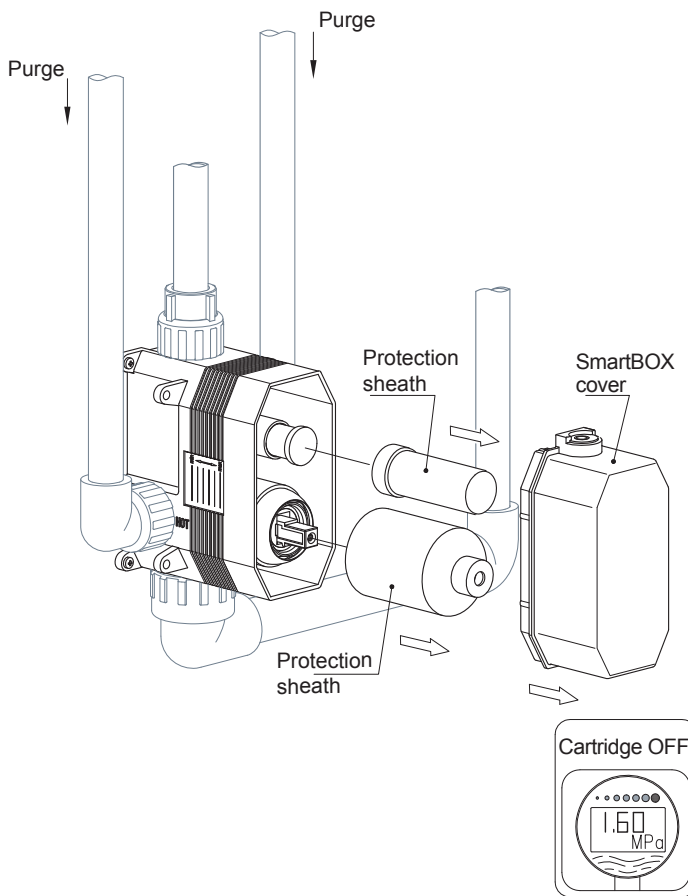


6

Connect feeding pipes. Please note that inlets must be connected for hot left and cold right.

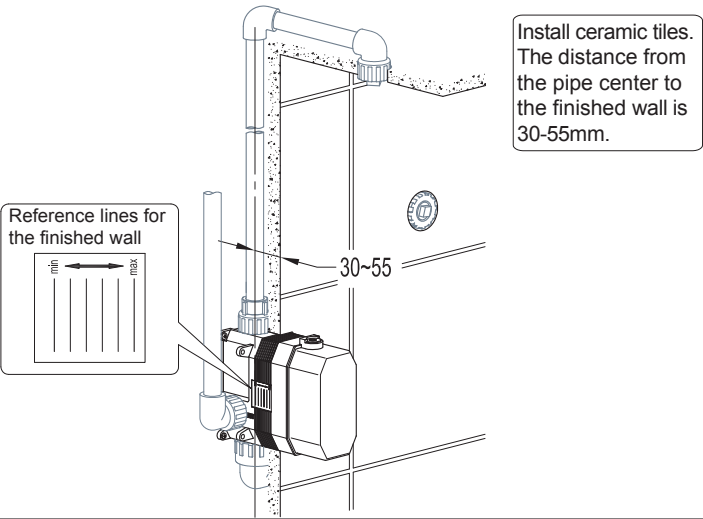


7

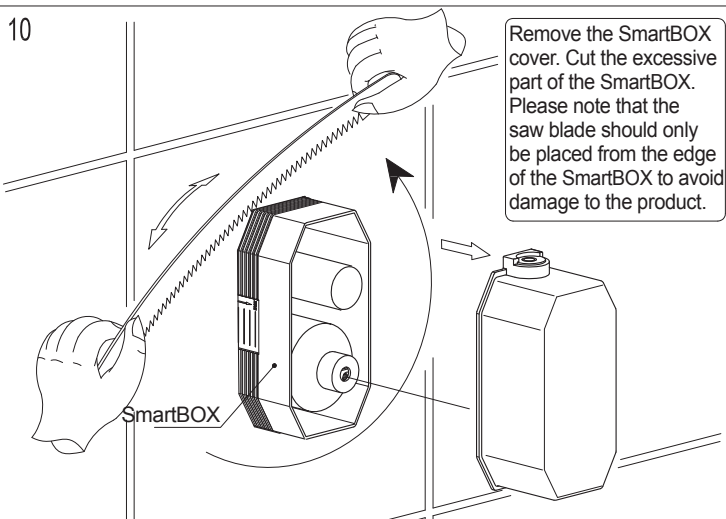


Remove the SmartBOX cover and the protection sheath. Run water when the cartridge is off to perform pressurized test and make sure no leakage.

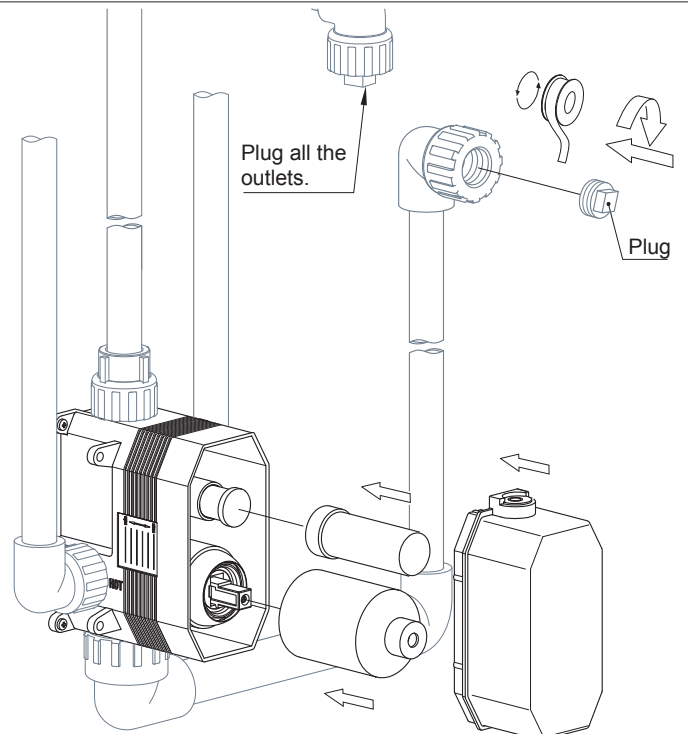
9



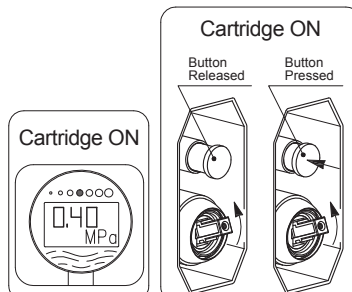
10



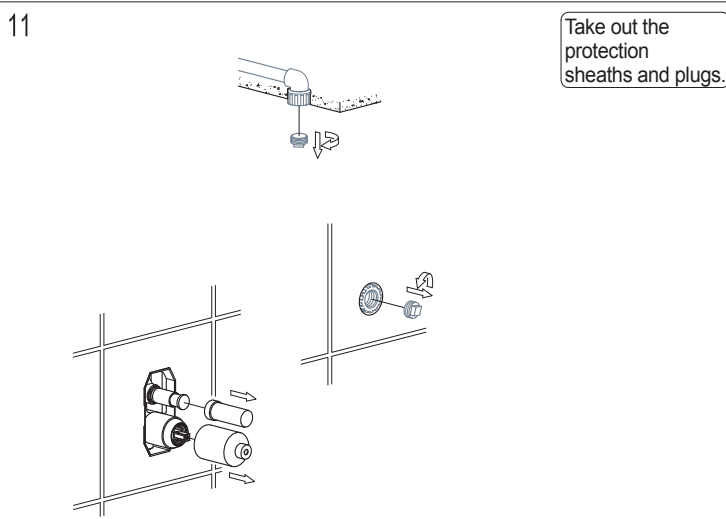
8



Plug the outlets. Turn on the cartridge. Run water to perform pressurized test and make sure no leakage. Then put back the protection sheath and SmartBOX cover.

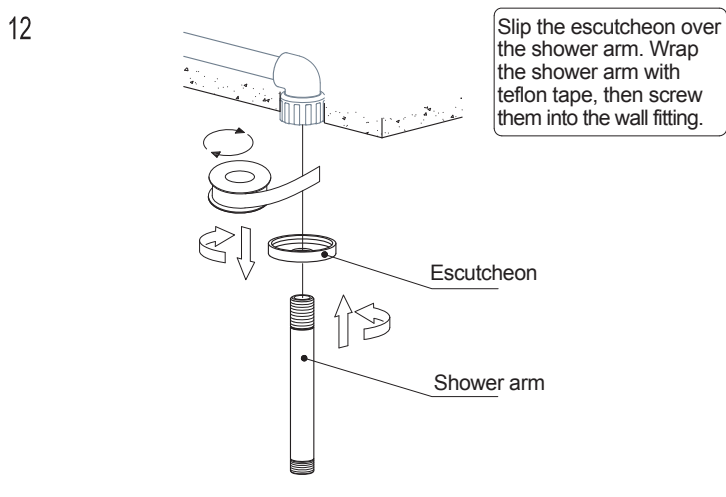


11



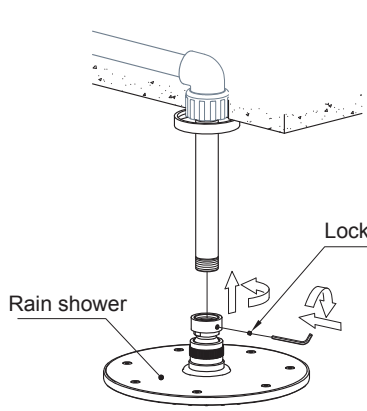
Take out the protection sheaths and plugs.

12



Slip the escutcheon over the shower arm. Wrap the shower arm with teflon tape, then screw them into the wall fitting.

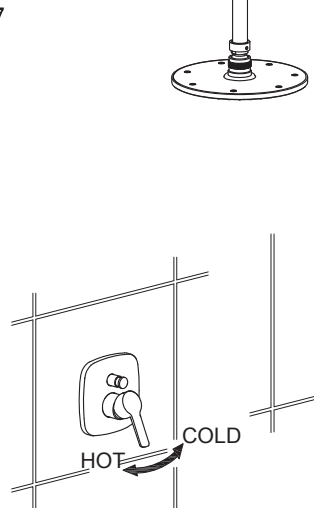
13



Install the rainshower and tighten with locking screw.

Rain shower
Locking screw

17

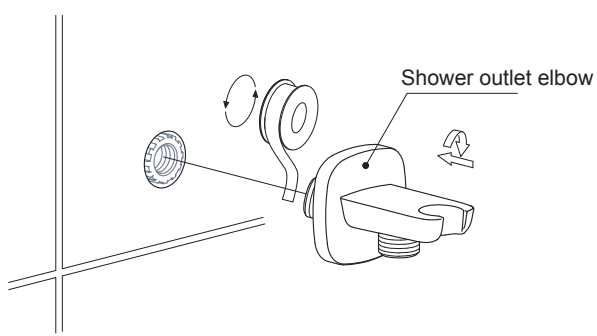


Run water to check if the installation is proper upon completion. The diagram shows water flows from the handshower when the handle is turned on.

HOT COLD

14

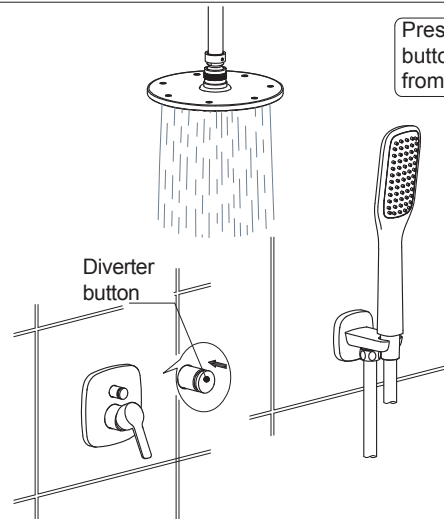
Wrap the connector with teflon tape and insert it to the wall fitting.



Shower outlet elbow

18

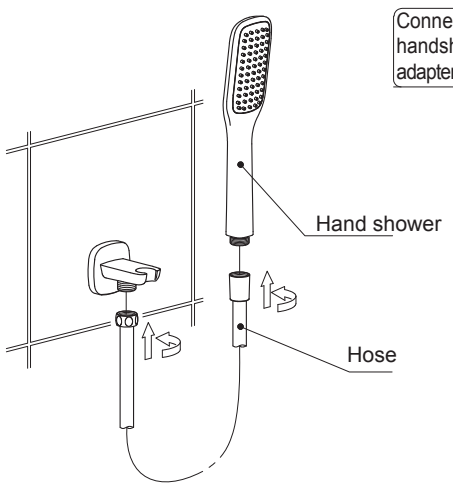
Press the diverter button, water flows from the rainshower.



Diverter button

15

Connect the handshower to the shower adapter with a hose.

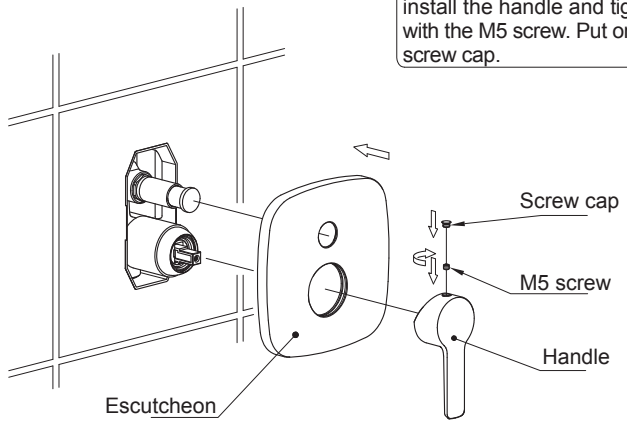


Hand shower

Hose

16

Put on the face plate. Then install the handle and tighten with the M5 screw. Put on the screw cap.



Screw cap

M5 screw

Handle

Escutcheon