

# INSTRUCTION MANUAL

BS83001941

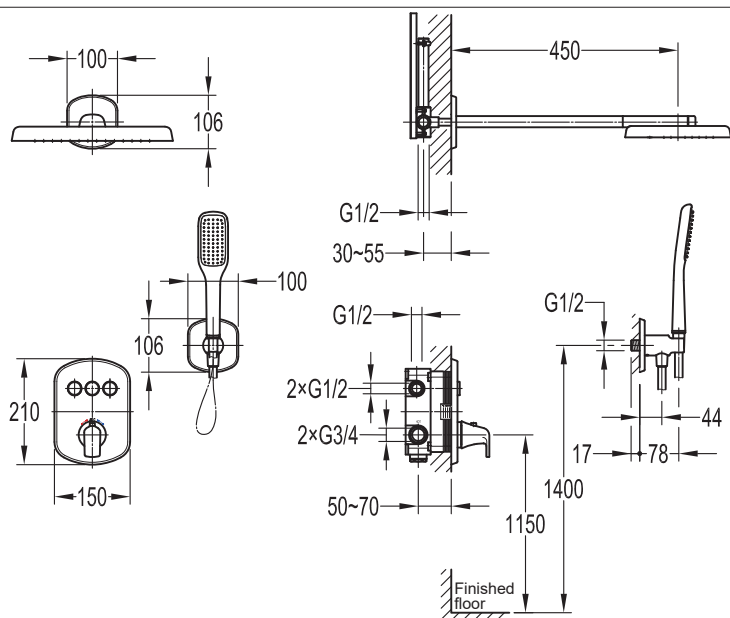
## III. Operation Notice

1. The product is used under cold water temperature 4~29°C, hot water temperature 55~85°C and water pressure 0.15~1.0 MPa. To avoid large pressure difference between hot and cold water, the thermostatic cartridge is preferably in use under the condition of water pressure 0.3 MPa, cold water 15°C, hot water 65°C. Main valve should be equipped with a filter.
2. To avoid using the faucet as hand rail, a separate hand rail must be installed if needed. Also, do not hang heavy things on the mixer.
3. Make sure the faucet is off when no water comes out of it, especially when nobody resides in or during the period of decoration or suspension of water.
4. Regularly clean the surface of faucet to keep it bright. Attention: Do not use inappropriate tools such as sharp brushes, rough sponges, scouring pads or corrosive detergent to clean the faucet. It is not recommended to use the detergent sold in the market, because its formula changes frequently. Please clean the faucet with wet cloth and soapy water after usage. Then rinse the soap off with clean water and dry with a soft cotton cloth.
5. Residues of shampoo, shower gel, hair dye, perfume, shaving water, nail polish, toothpaste and other substances may cause damage to the product. Please carefully rinse residues with clean water after use. Also, do not store detergents and chemicals under the product, such place as vanity cabinet of washbasin; otherwise volatile gases will damage the product.
6. When indoor temperature drops below 0°C, take necessary measures (keep the product warm, close windows) to prevent the product from frost cracking (especially when windows open for air ventilation while nobody in the house).
7. Adjust the temperature before use to avoid scald.
8. Sensitive parts of the body, such as eyes, must be kept out of water flows from shower head and sufficient distance between shower head and human head is needed.
9. Children, adults with mental disorders should not be allowed to use the shower system without supervision, nor should people affected by alcohol or drugs.
10. Do not disassemble the product without help from the professionals.

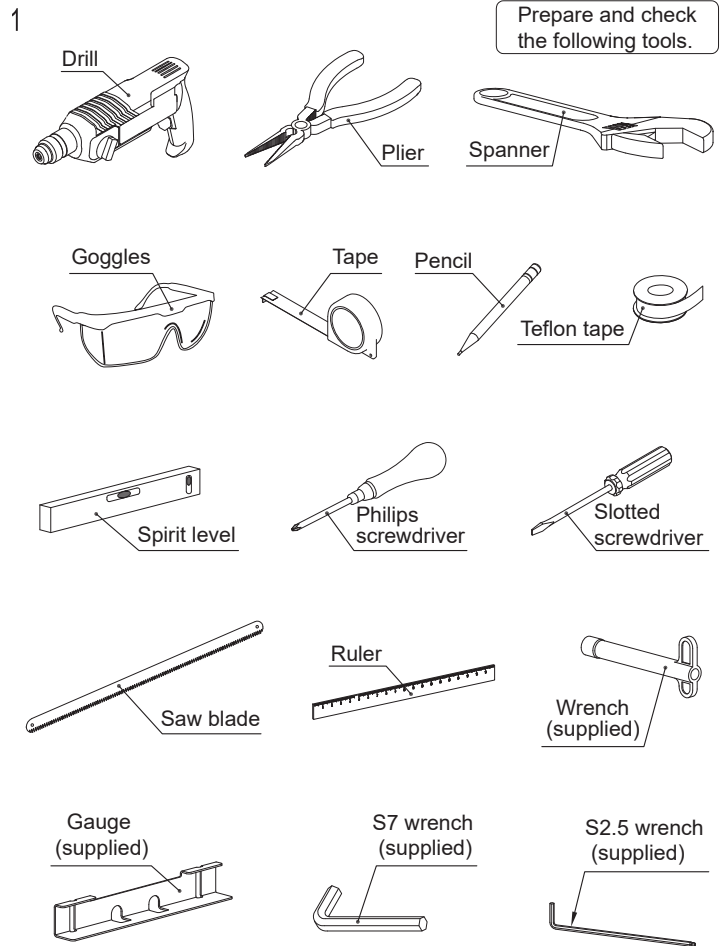
## I. Installation Notice

1. Install water pipes in accordance with this manual.
2. Floor drain should be installed on the site.
3. All the components except mixer body and shower head seat should be installed only after the completion of house interior decoration in case paint or other chemicals erode the mixer surface. Before that, the protection sheath of the shower head seat can not be removed.
4. Clean pipes to get rid of mud, sand or other debris blocked in pipes before installation.
5. If the thread does not match well with the water pipe, please find out the reason first; otherwise a forced connection will damage the faucet.
6. After installation, check all the joints to ensure they are firmly connected. Turn on and off the water repeatedly to ensure there is no leakage around the joints. After that, the product is ready for normal use.
7. Hand the manual to users.

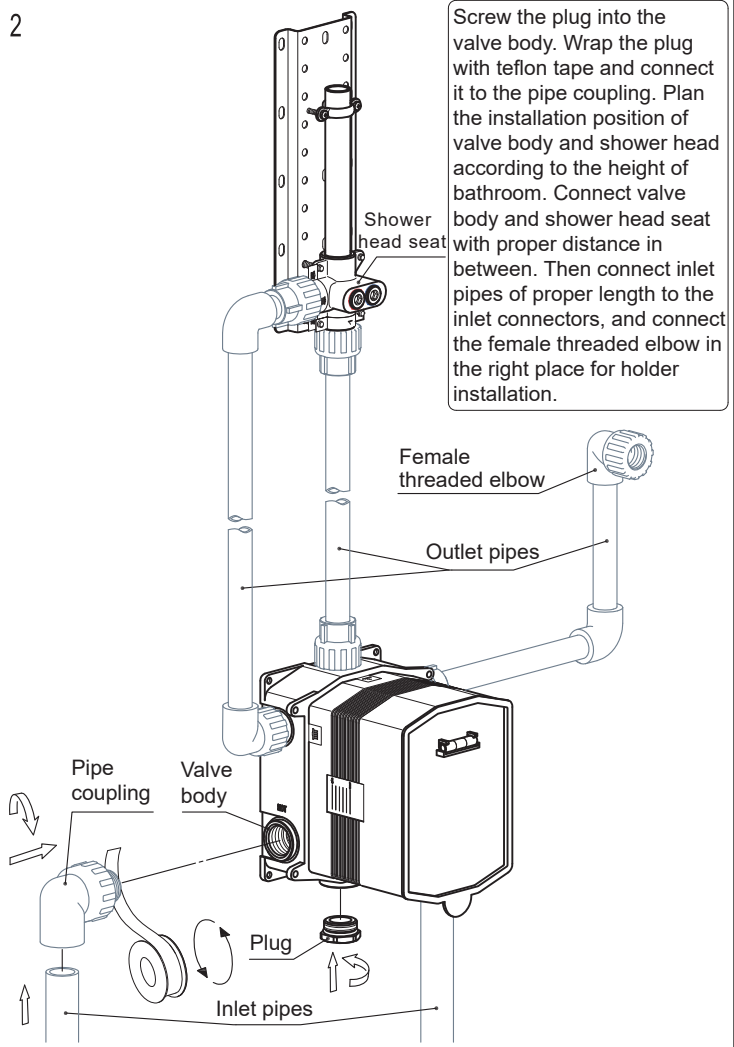
## II. Installation Diagram



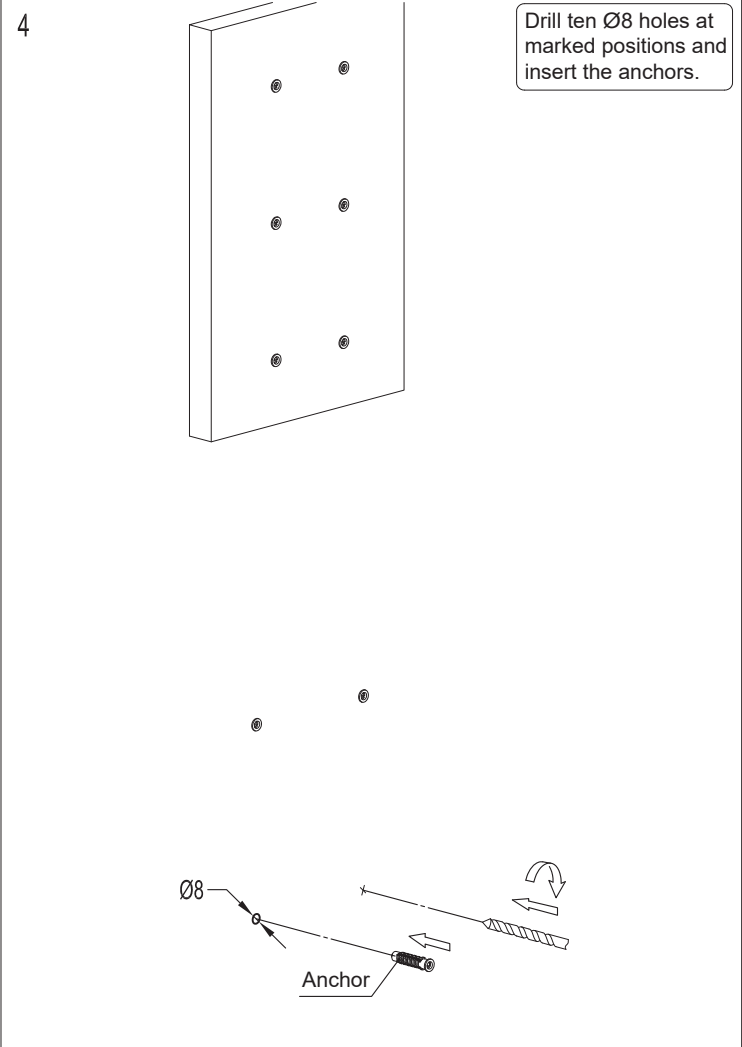
## IV. Installation Steps(Fig.1-38): \* The installation diagram is only for reference. The product is subject to the real object.



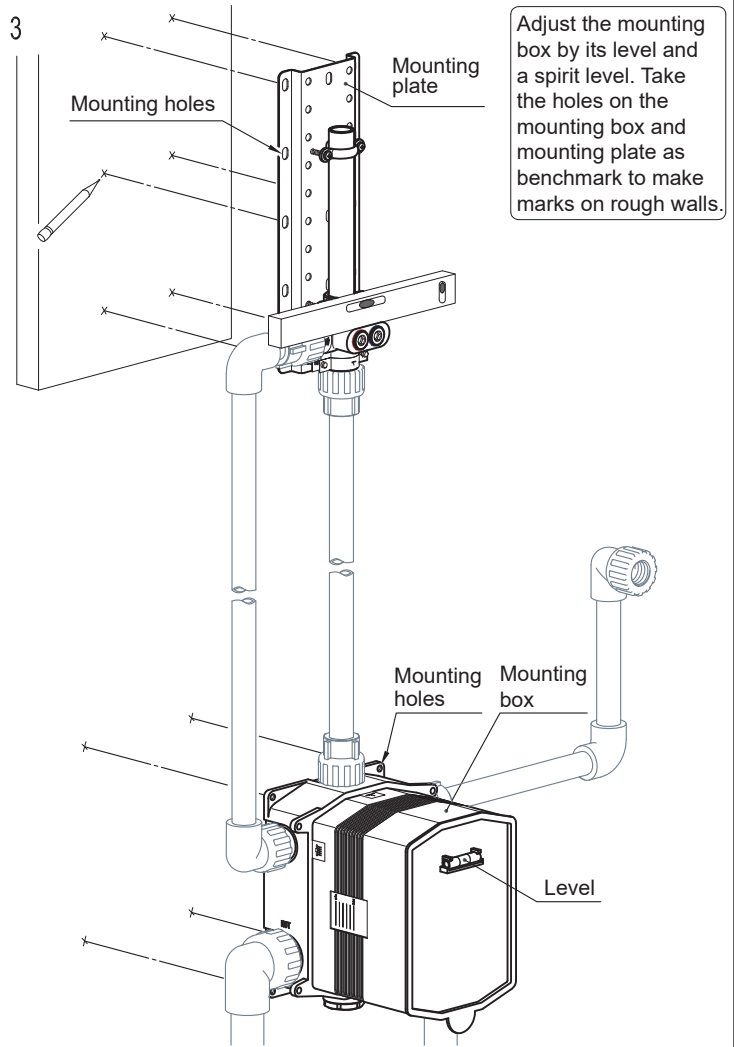
2



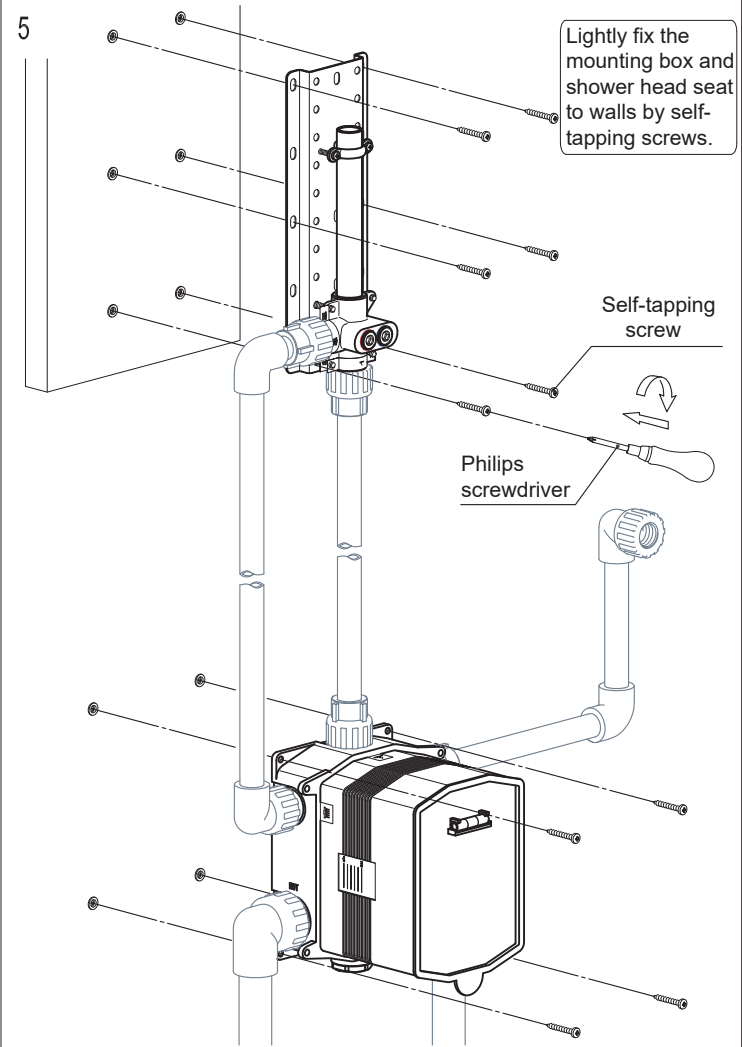
4



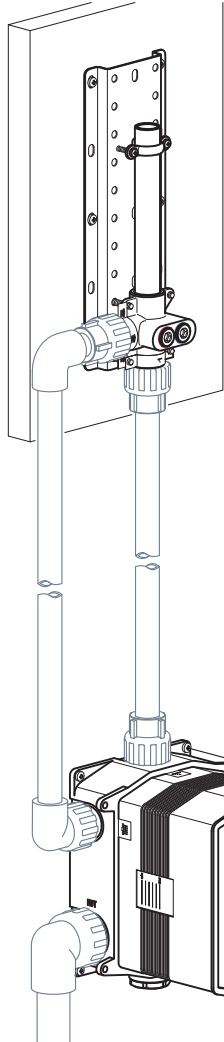
3



5

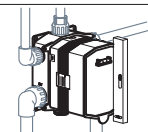


6



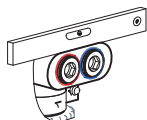
Adjust the mounting box and shower head seat by the level on the mounting box and a spirit level, then tighten the self-tapping screws.

Mounting box



Vertical level

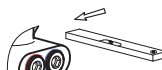
Shower head seat



Horizontal level

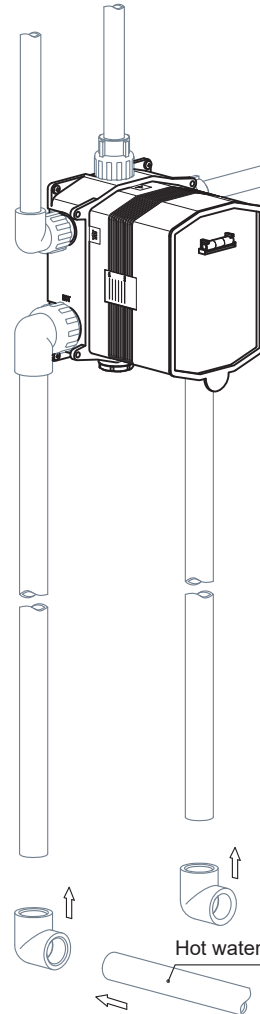


Vertical level

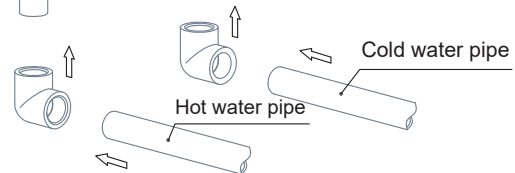


Lateral level

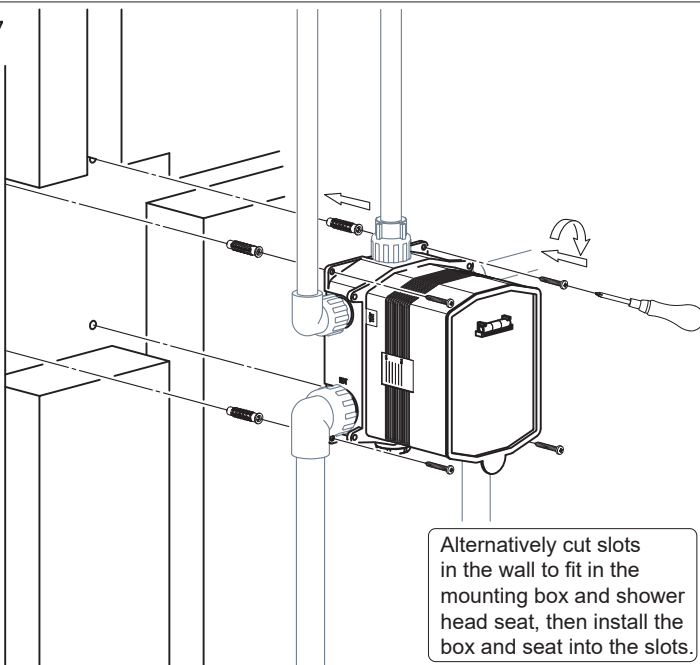
9



Connect feeding pipes. (Please note that inlets must be connected for hot left and cold right. Otherwise thermostatic cartridge will malfunction, or even cause scalding.)

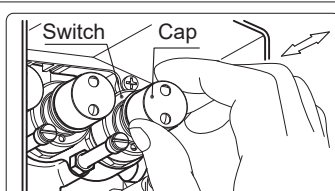
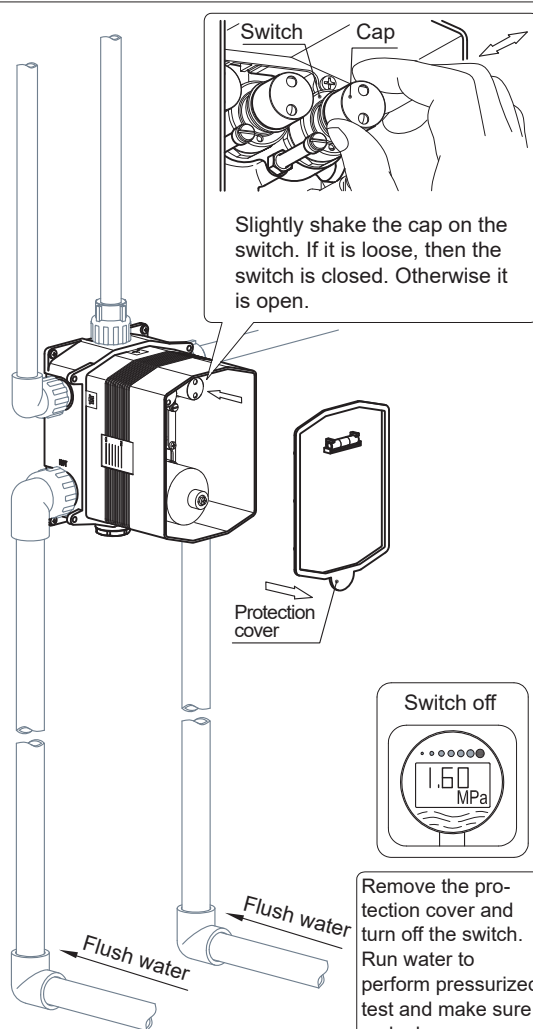


7



Alternatively cut slots in the wall to fit in the mounting box and shower head seat, then install the box and seat into the slots.

10



Slightly shake the cap on the switch. If it is loose, then the switch is closed. Otherwise it is open.

Protection cover

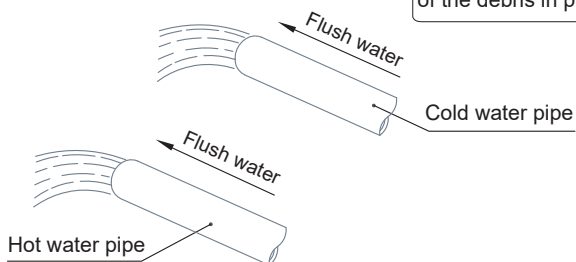
Switch off

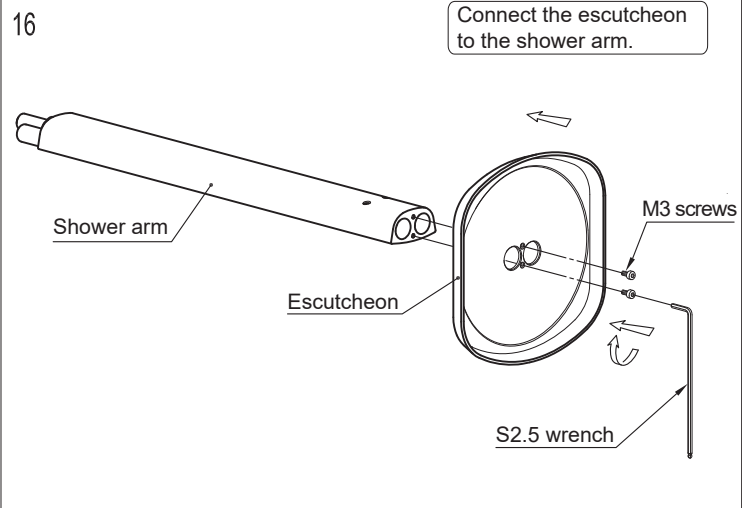
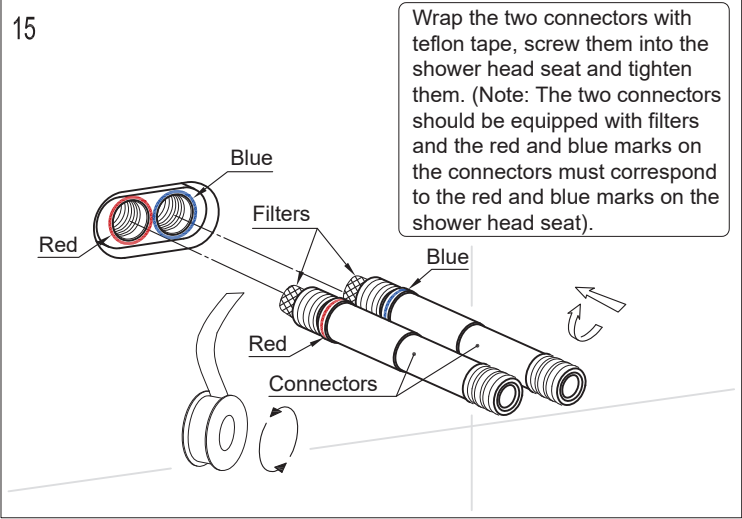
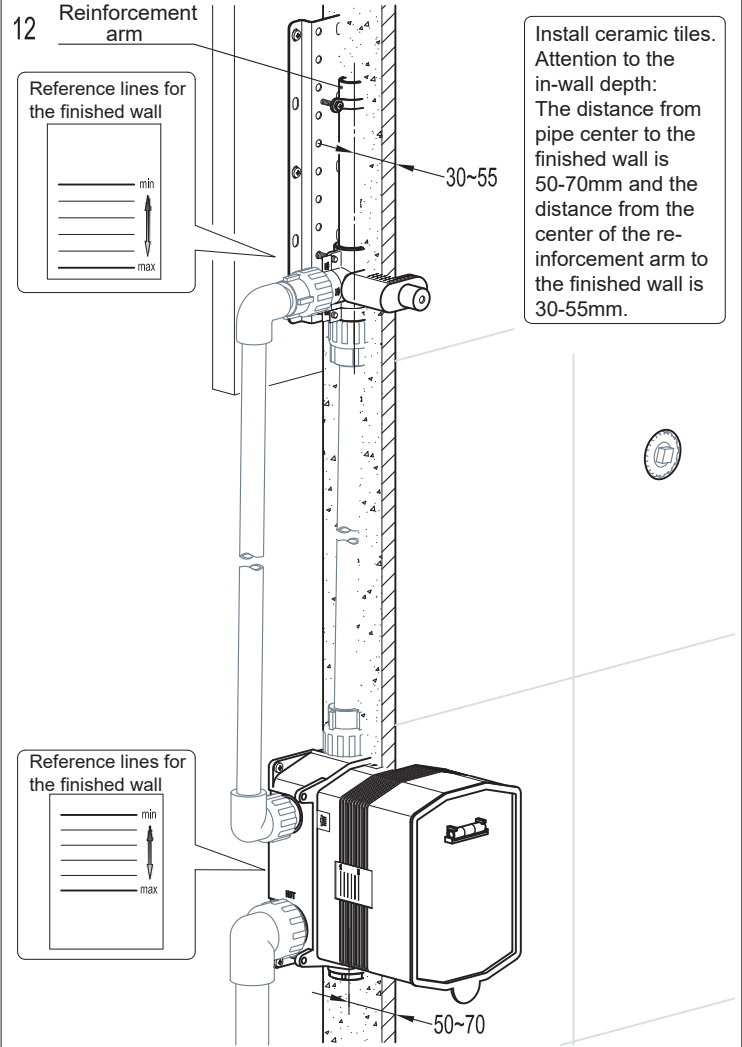
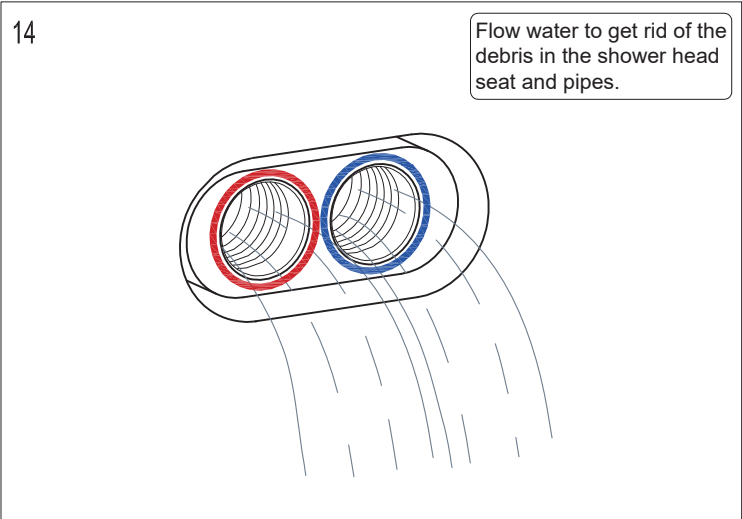
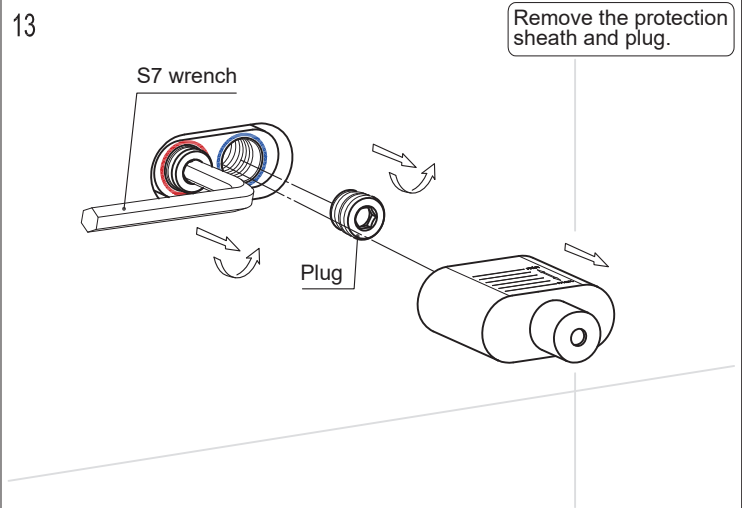
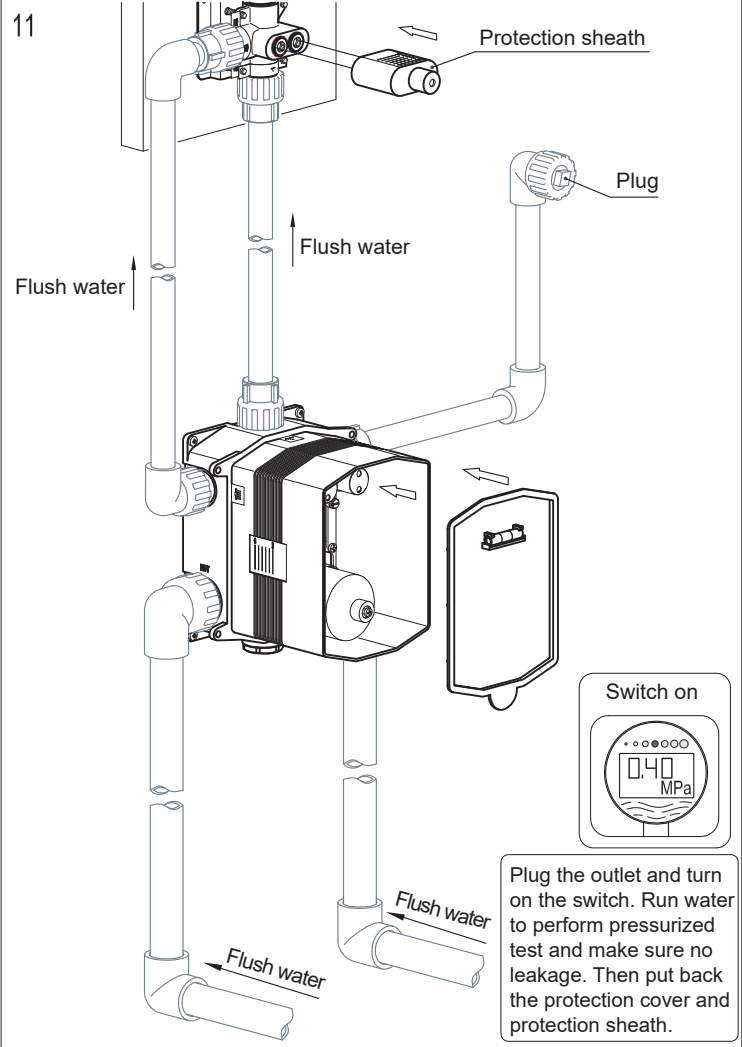


Remove the protection cover and turn off the switch. Run water to perform pressurized test and make sure no leakage.

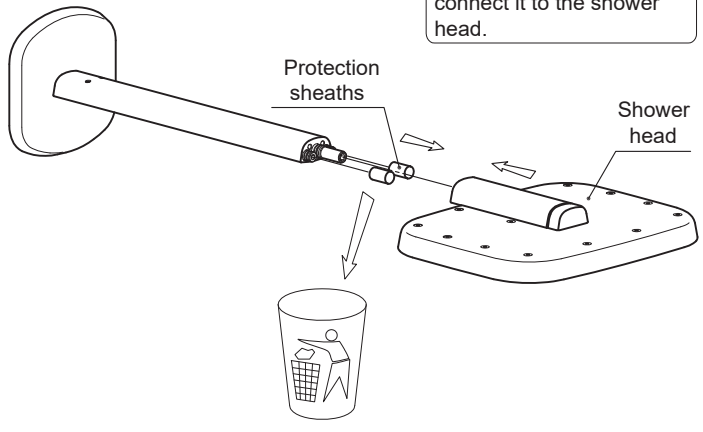
8

Flow water to get rid of the debris in pipes.





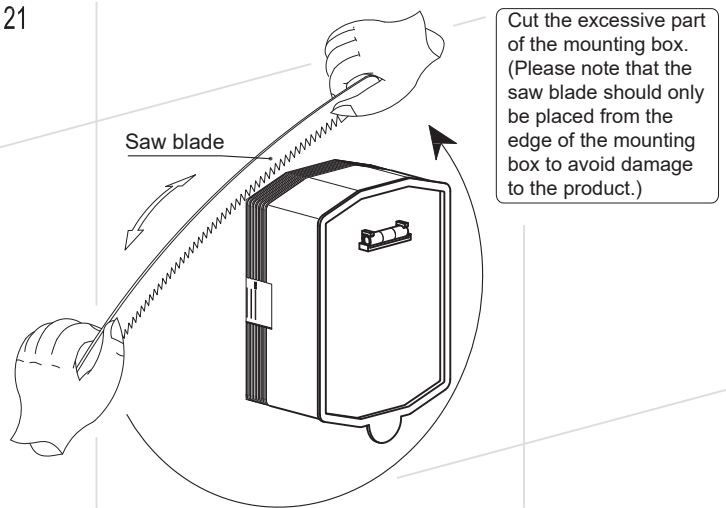
17



Take the protection sheaths off the shower arm and connect it to the shower head.

Protection sheaths  
Shower head

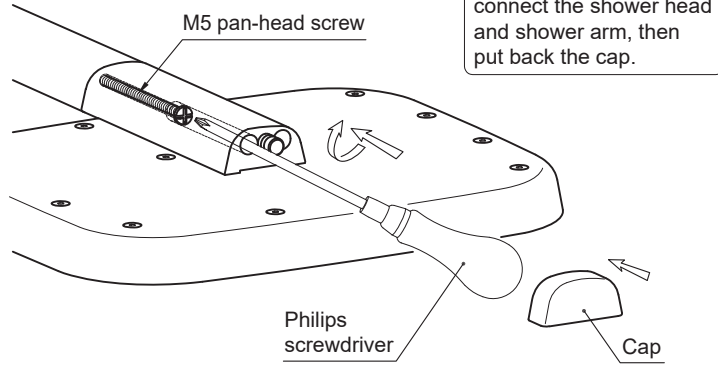
21



Cut the excessive part of the mounting box. (Please note that the saw blade should only be placed from the edge of the mounting box to avoid damage to the product.)

Saw blade

18



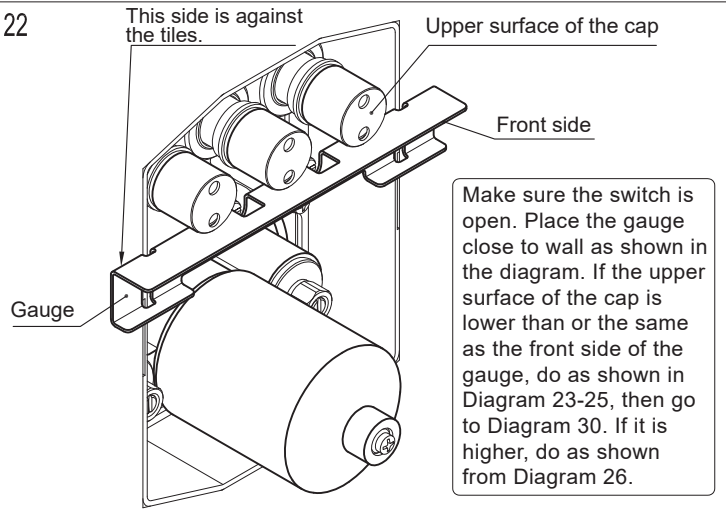
Remove the cap and be careful not to scratch the shower head. Use M5 pan-head screws to firmly connect the shower head and shower arm, then put back the cap.

M5 pan-head screw

Philips screwdriver

Cap

22



This side is against the tiles.

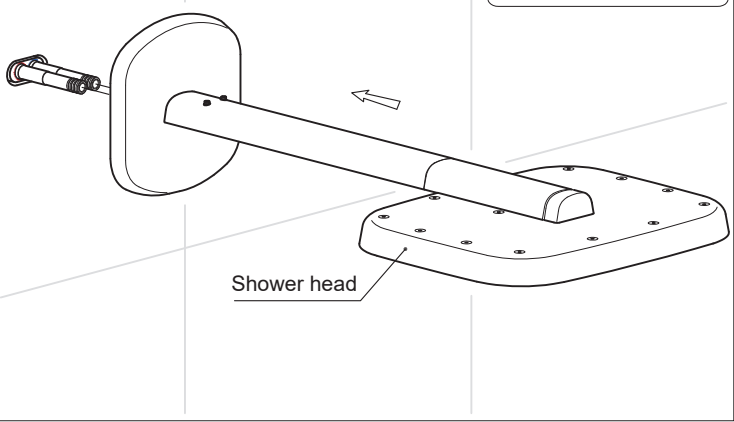
Upper surface of the cap

Front side

Gauge

Make sure the switch is open. Place the gauge close to wall as shown in the diagram. If the upper surface of the cap is lower than or the same as the front side of the gauge, do as shown in Diagram 23-25, then go to Diagram 30. If it is higher, do as shown from Diagram 26.

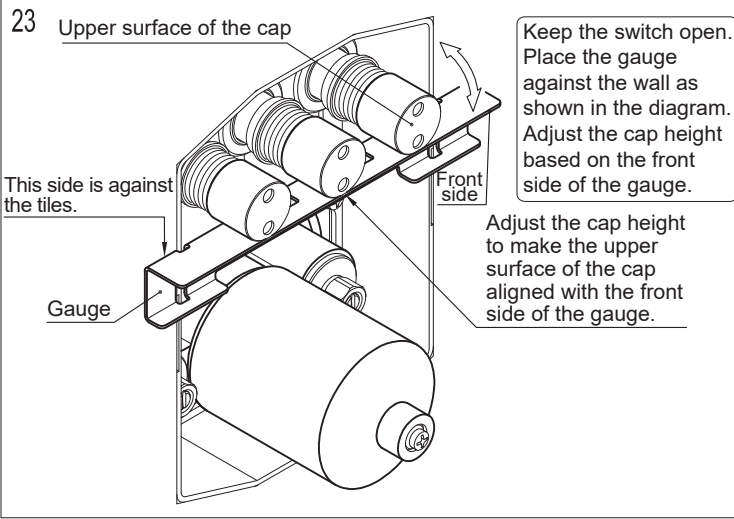
19



Install the shower head onto the connectors and place it against the wall.

Shower head

23



Upper surface of the cap

This side is against the tiles.

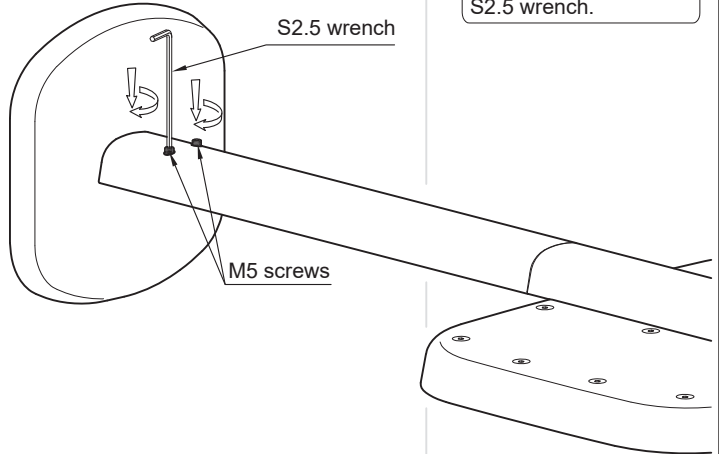
Gauge

Front side

Keep the switch open. Place the gauge against the wall as shown in the diagram. Adjust the cap height based on the front side of the gauge.

Adjust the cap height to make the upper surface of the cap aligned with the front side of the gauge.

20

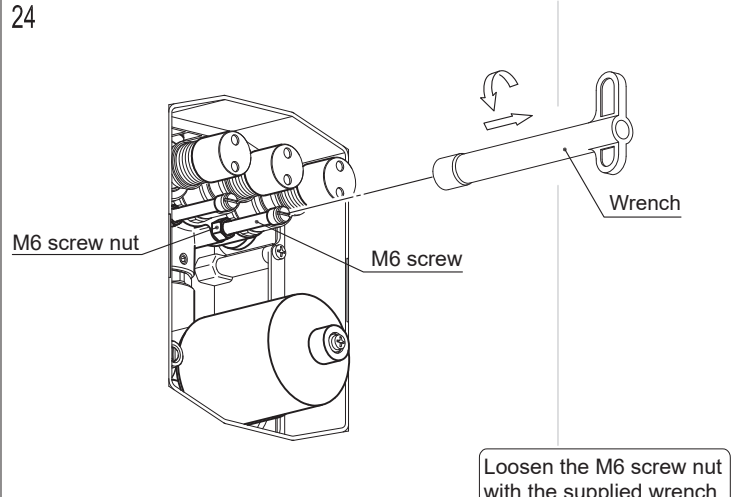


Tighten M5 screws with S2.5 wrench.

S2.5 wrench

M5 screws

24



M6 screw nut

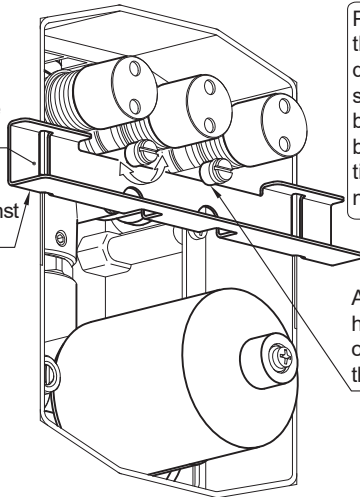
M6 screw

Wrench

Loosen the M6 screw nut with the supplied wrench.

25

The back of the gauge  
This side is against the tiles.

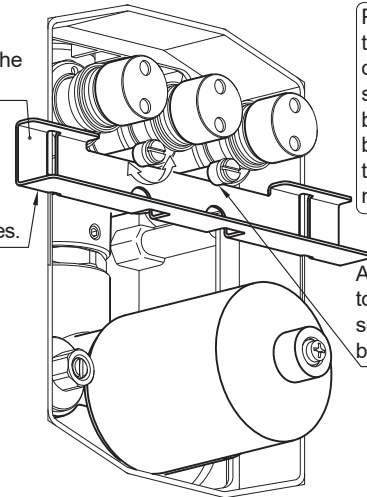


Place the gauge against the wall as shown in the diagram. Adjust the M6 screw height with the back of the gauge as benchmark. Then tighten the M6 screw nut with the wrench.

Adjust the M6 screw height to make the bottom of the screw head against the back of the gauge.

29

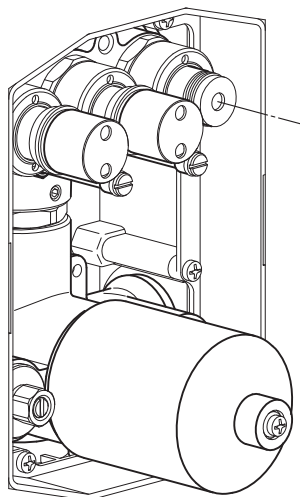
The back of the gauge  
This side is against the tiles.



Place the gauge against the wall as shown in the diagram. Adjust the M6 screw height with the back of the gauge as benchmark. Then tighten the M6 screw nut with the wrench.

Adjust the M6 screw height to make the bottom of the screw head against the back of the gauge.

26

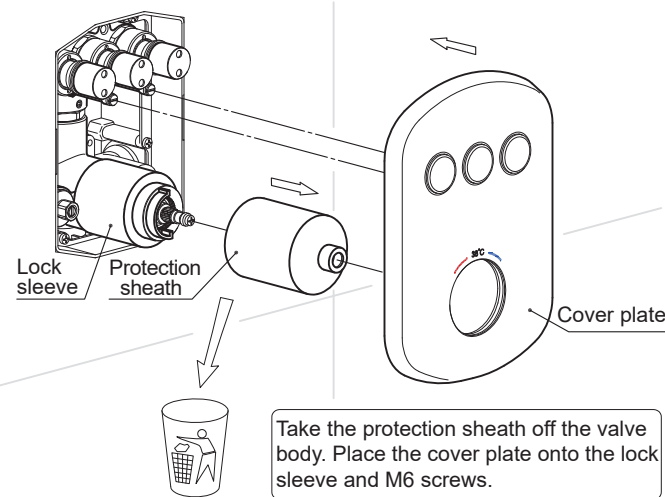


Adjustable threaded adapter  
Replace all adjustable threaded adapters and caps.



Shorter adapter and cap  
Replace with short adjustable threaded adapters and caps.

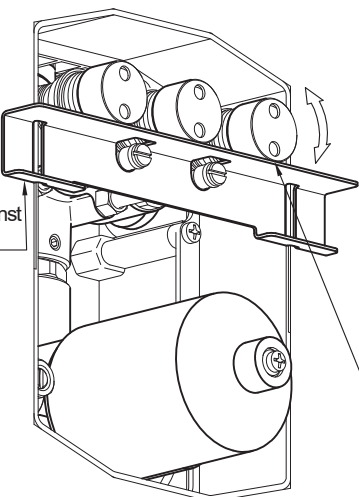
30



Take the protection sheath off the valve body. Place the cover plate onto the lock sleeve and M6 screws.

27

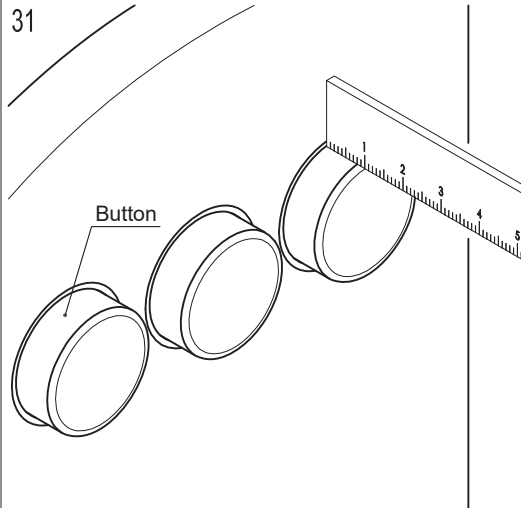
This side is against the tiles.



Keep the switch open. Place the gauge against the wall as shown in the diagram. Adjust the cap height based on the front side of the gauge.

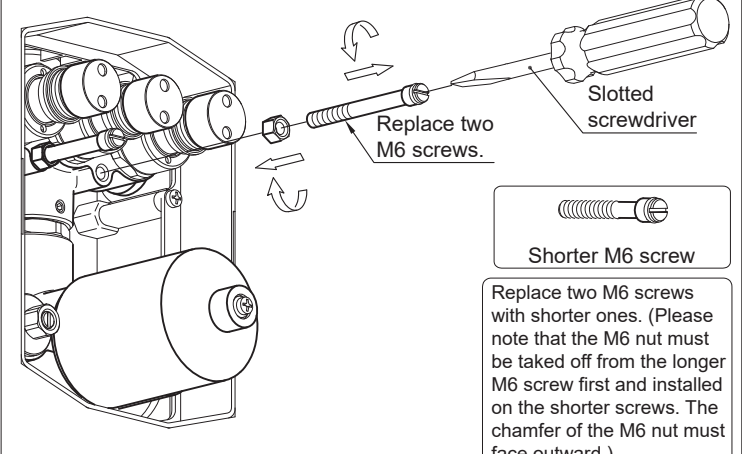
Adjust the cap height to make the upper surface of the cap aligned with the front side of the gauge.

31

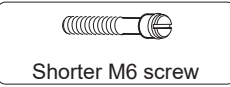


Check whether the cover plate is fixed. Press the button on the cover plate to see if the switch can work properly. The button is lower when turned off and higher when turned on. Use a ruler to measure the button height. When it is turned on, the button should be 7-9mm high.

28

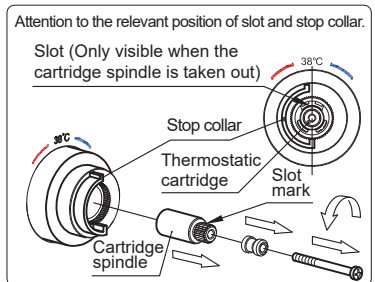
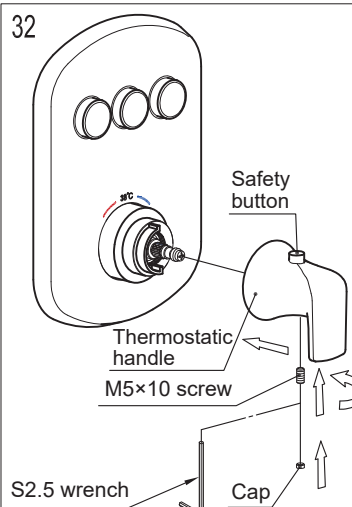


Replace two M6 screws.

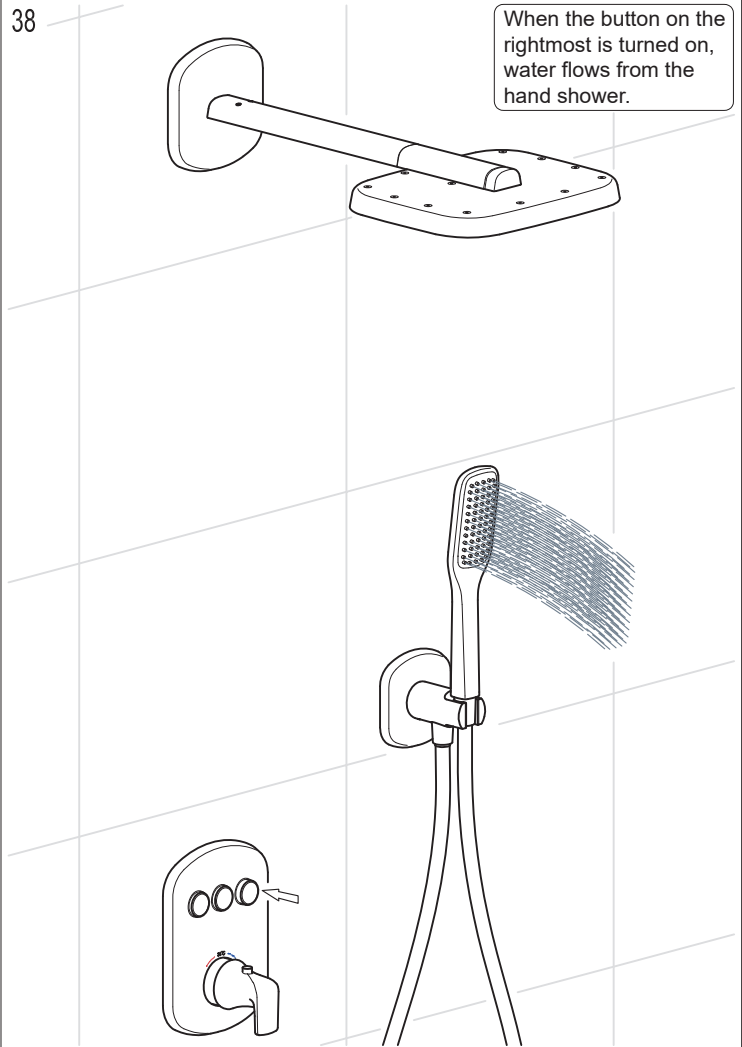
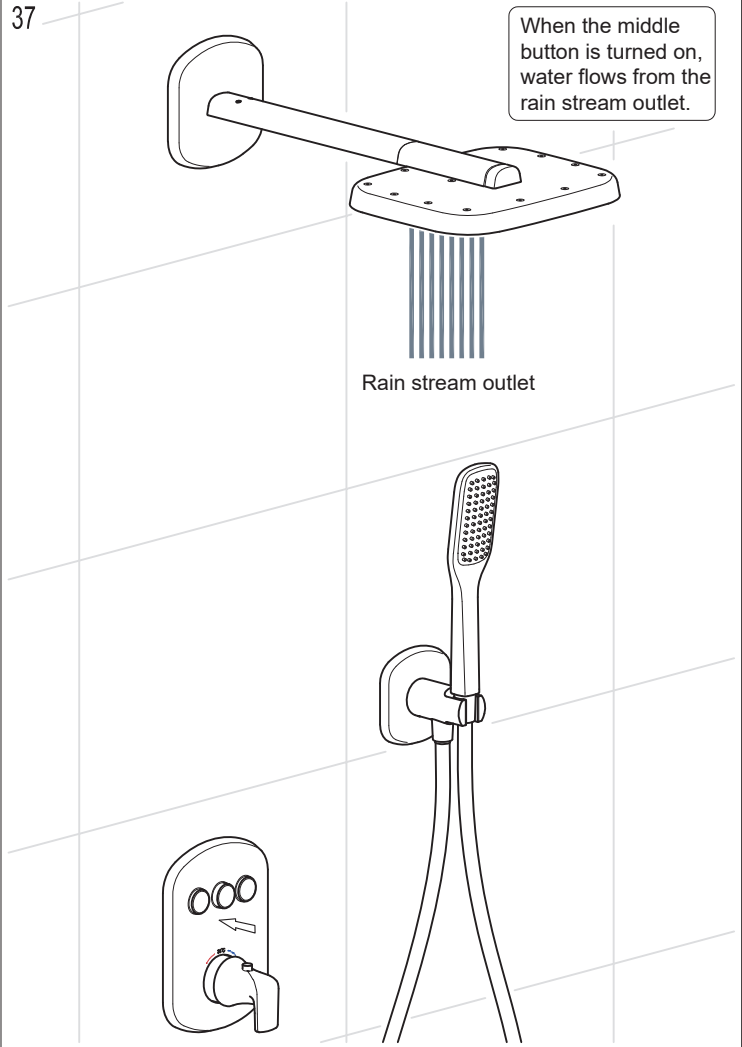
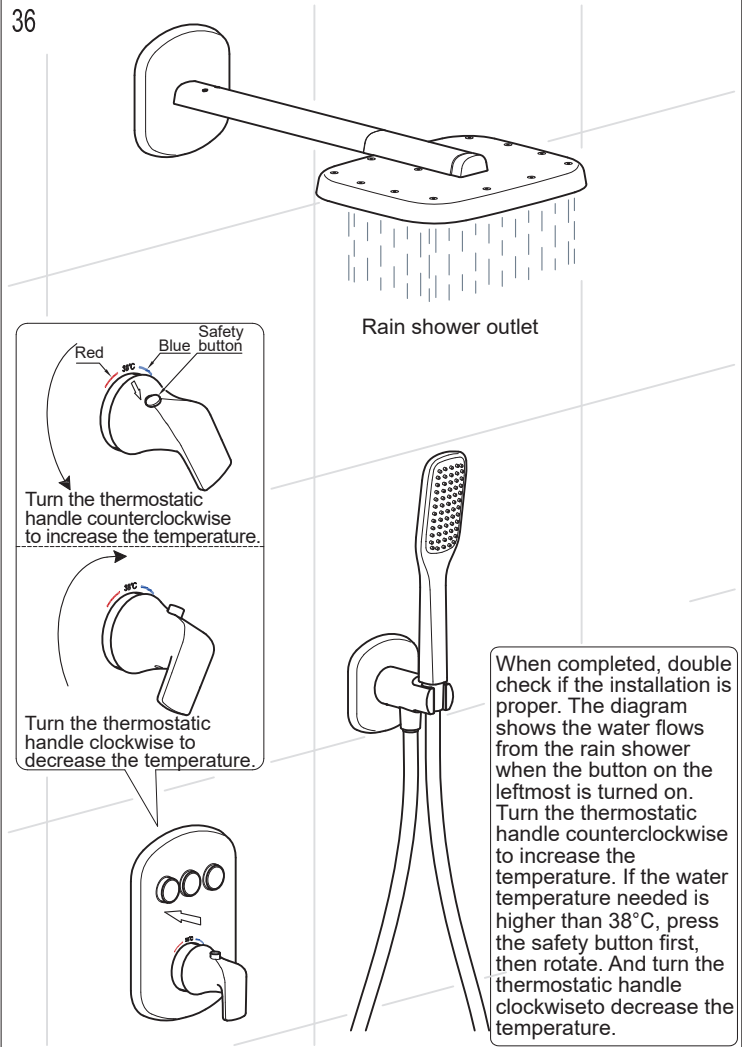
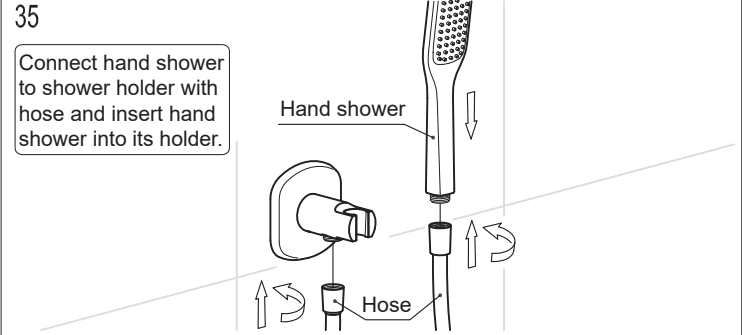
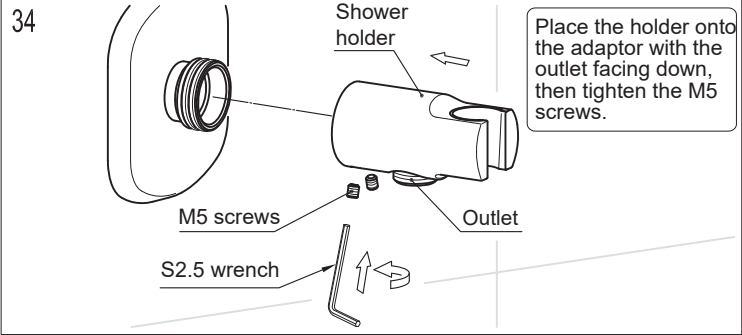
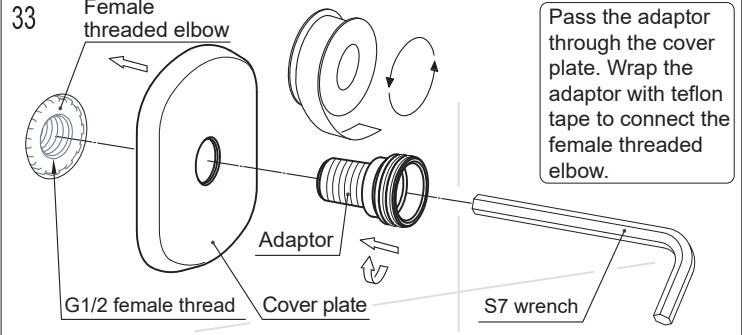


Shorter M6 screw  
Replace two M6 screws with shorter ones. (Please note that the M6 nut must be taken off from the longer M6 screw first and installed on the shorter screws. The chamfer of the M6 nut must face outward.)

32



Attention to the relevant position of slot and stop collar.  
Slot (Only visible when the cartridge spindle is taken out)  
Place the thermostatic handle onto the valve body. Attention to the relevant position of the slot on the thermostatic cartridge and the slot mark on the cartridge spindle. The slot, stop collar, safety button on the thermostatic handle and the 38°C mark on the cover plate should be aligned. Then tighten the M5x10 screw and put back the cap.



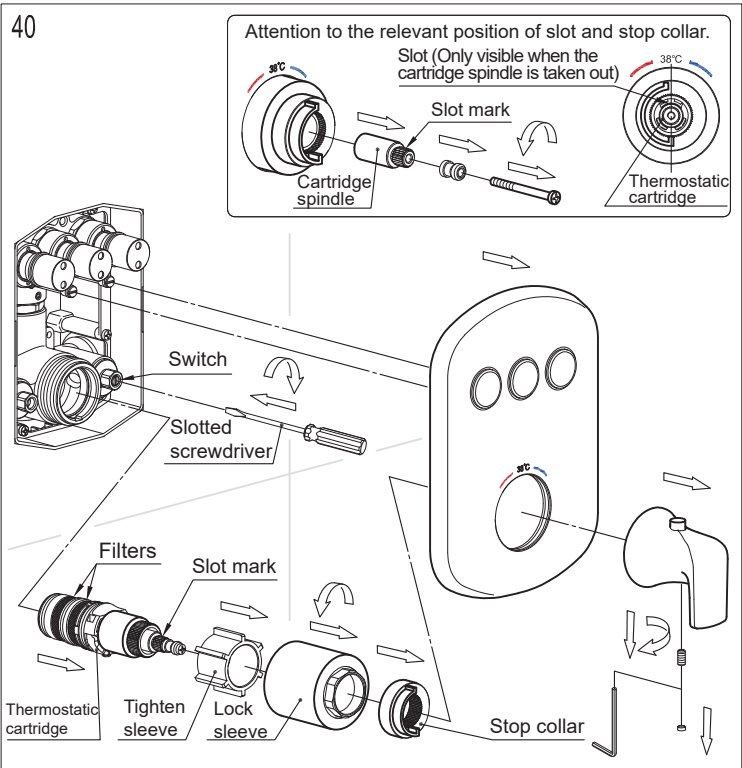
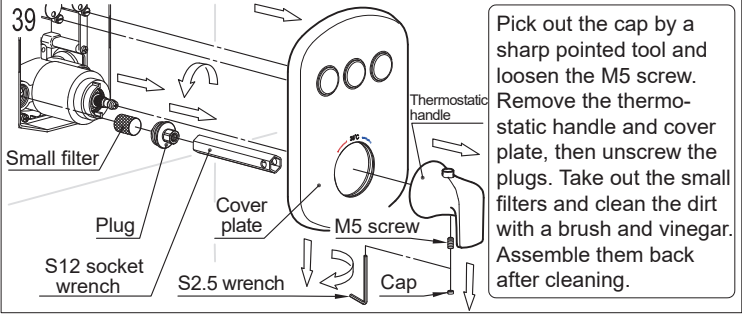
## V. Maintenance (Fig.39-44):

If the flow rate is lessened or temperature control is imprecise after a period of usage, it is possibly because water of poor quality blocks the small filters on both sides of the valve body or the filter of the thermostatic cartridge. Cleaning method should be taken as followed:

First, turn off the main inlet valve. Remove the small filters on both sides of the valve body as shown in Diagram 39 and clean the filters with a brush and vinegar. Assemble them back after cleaning. Then double check the flow volume and temperature control. If they are still not right, clean the filter of the thermostatic cartridge. Remove the thermostatic cartridge as shown in Diagram 40 and clean the filter part of it by the above method, then assemble them back accordingly. Pay attention to keeping the four parts on one line: the slot on the thermostatic cartridge, stop collar, safety button on the thermostatic handle and the 38°C mark on the cover plate.

If water flow from the hand shower is normal, but lessened when it comes out of the rain stream or rain shower outlet, please take off the connectors as shown in Diagram 41 and 42, then clean the filter part. Flush water to get rid of the debris in pipes as shown in Diagram 43. Then assemble them back according to Diagram 15, 19 and 20. Attention: The red and blue marks on the connectors must correspond to the red and blue marks on the shower head seat.

If water flow from the rain shower or hand shower does not spray evenly, or no water comes out of some outlets, it is possibly because dirt or debris blocks the nozzles. Please gently squeeze those rubber nozzles with fingers as shown in Diagram 44 and clean up the debris.



Remove the thermostatic handle and cover plate. Tighten the switch with a slotted screwdriver to turn off the water. Then remove the followings one by one : stop collar, lock sleeve and tighten sleeve. Take out the thermostatic cartridge and clean the filter part with a brush and vinegar. Then assemble them back accordingly. After that, turn the switch back to the initial position to turn on the water, and put back the cover plate, thermostatic handle and the others. Pay attention to keeping the four parts on one line: the slot on the thermostatic cartridge, stop collar, safety button on the thermostatic handle and the 38°C mark on the cover plate.

