

INSTRUCTION MANUAL

I. Installation Notice

1. All the components should be installed only after the completion of house interior decoration in case paint or other chemicals erode the product surface.
2. After installation, check all the joints to ensure they are firmly connected. Then the product is ready for normal use.
3. Keep the manual to users.

II. Operation Notice

1. Do not hang heavy objects on the product.
2. Regularly clean the surface of product to keep it bright. Attention: Do not use inappropriate tools such as sharp brushes, rough sponges, scouring pads or corrosive detergent to clean the product. It is not recommended to use the detergent sold in the market, because its formula changes frequently. Please clean the product with wet cloth and soapy water after usage. Then rinse the soap off with clean water and dry with a soft cotton cloth.
3. Do not disassemble the product without help from the professionals.

INSTRUCTION MANUAL

I. Installation Notice

1. All the components should be installed only after the completion of house interior decoration in case paint or other chemicals erode the product surface.
2. After installation, check all the joints to ensure they are firmly connected. Then the product is ready for normal use.
3. Keep the manual to users.

II. Operation Notice

1. Do not hang heavy objects on the product.
2. Regularly clean the surface of product to keep it bright. Attention: Do not use inappropriate tools such as sharp brushes, rough sponges, scouring pads or corrosive detergent to clean the product. It is not recommended to use the detergent sold in the market, because its formula changes frequently. Please clean the product with wet cloth and soapy water after usage. Then rinse the soap off with clean water and dry with a soft cotton cloth.
3. Do not disassemble the product without help from the professionals.

INSTRUCTION MANUAL

I. Installation Notice

1. All the components should be installed only after the completion of house interior decoration in case paint or other chemicals erode the product surface.
2. After installation, check all the joints to ensure they are firmly connected. Then the product is ready for normal use.
3. Keep the manual to users.

II. Operation Notice

1. Do not hang heavy objects on the product.
2. Regularly clean the surface of product to keep it bright. Attention: Do not use inappropriate tools such as sharp brushes, rough sponges, scouring pads or corrosive detergent to clean the product. It is not recommended to use the detergent sold in the market, because its formula changes frequently. Please clean the product with wet cloth and soapy water after usage. Then rinse the soap off with clean water and dry with a soft cotton cloth.
3. Do not disassemble the product without help from the professionals.

INSTRUCTION MANUAL

I. Installation Notice

1. All the components should be installed only after the completion of house interior decoration in case paint or other chemicals erode the product surface.
2. After installation, check all the joints to ensure they are firmly connected. Then the product is ready for normal use.
3. Keep the manual to users.

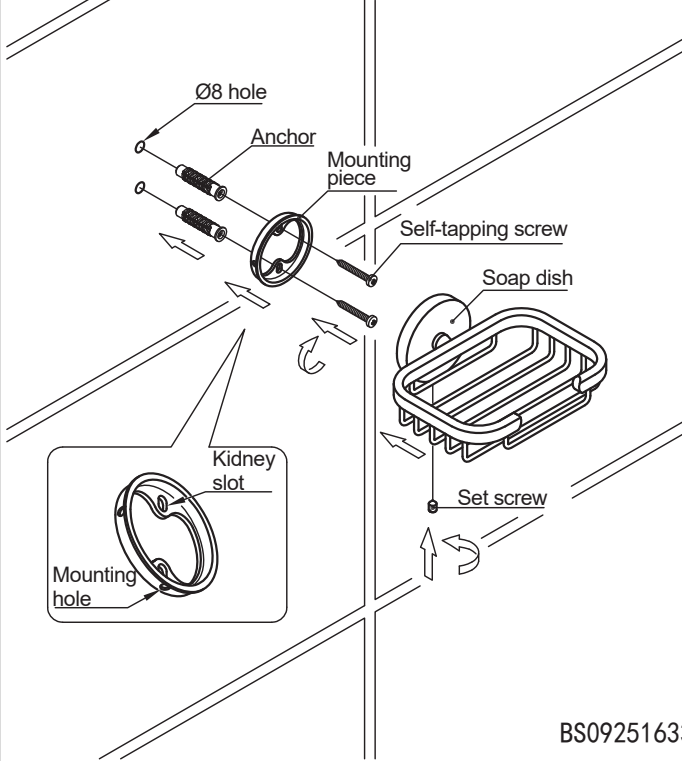
II. Operation Notice

1. Do not hang heavy objects on the product.
2. Regularly clean the surface of product to keep it bright. Attention: Do not use inappropriate tools such as sharp brushes, rough sponges, scouring pads or corrosive detergent to clean the product. It is not recommended to use the detergent sold in the market, because its formula changes frequently. Please clean the product with wet cloth and soapy water after usage. Then rinse the soap off with clean water and dry with a soft cotton cloth.
3. Do not disassemble the product without help from the professionals.

■ Installation Steps

* The installation diagram is only for reference.
The product is subject to the real object.

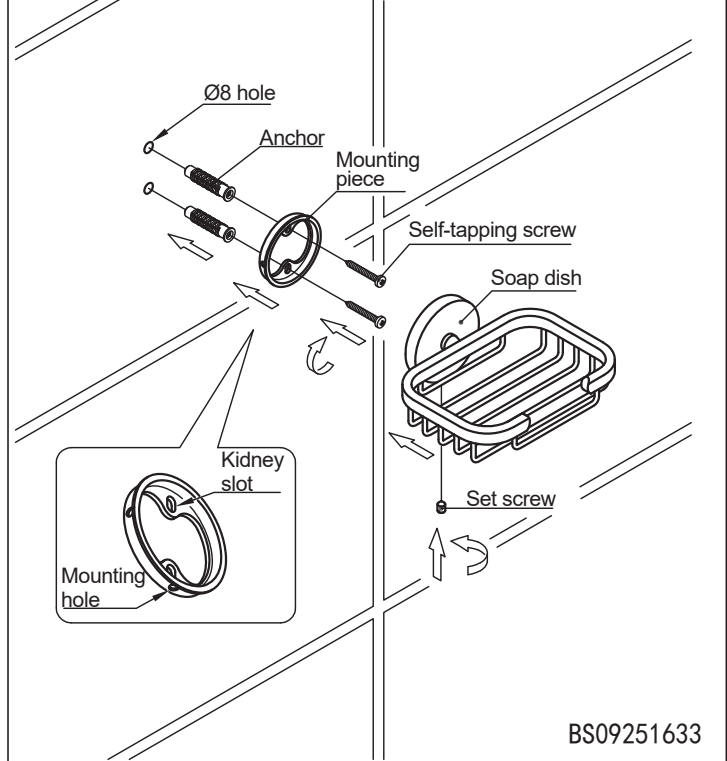
1. Take the kidney slots on the mounting piece as benchmark to drill two Ø8 holes in the wall. Note that the holes should be on the same vertical level. Then insert the anchors.
2. Fix the mounting piece to the wall by self-tapping screws. Note that the mounting holes on the mounting piece should face downwards. Then install the soap dish and tighten with the set screw.
3. Double check if the installation is proper upon completion.



■ Installation Steps

* The installation diagram is only for reference.
The product is subject to the real object.

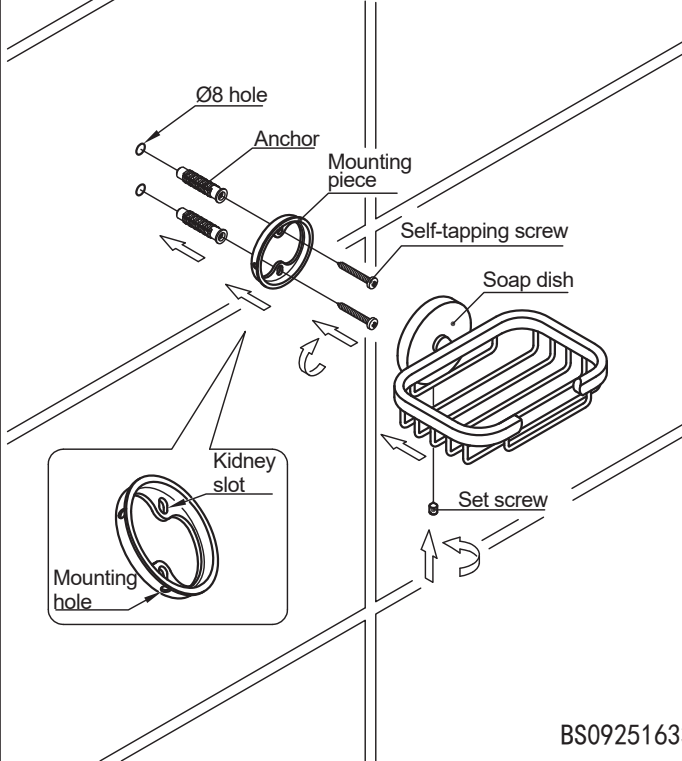
1. Take the kidney slots on the mounting piece as benchmark to drill two Ø8 holes in the wall. Note that the holes should be on the same vertical level. Then insert the anchors.
2. Fix the mounting piece to the wall by self-tapping screws. Note that the mounting holes on the mounting piece should face downwards. Then install the soap dish and tighten with the set screw.
3. Double check if the installation is proper upon completion.



■ Installation Steps

* The installation diagram is only for reference.
The product is subject to the real object.

1. Take the kidney slots on the mounting piece as benchmark to drill two Ø8 holes in the wall. Note that the holes should be on the same vertical level. Then insert the anchors.
2. Fix the mounting piece to the wall by self-tapping screws. Note that the mounting holes on the mounting piece should face downwards. Then install the soap dish and tighten with the set screw.
3. Double check if the installation is proper upon completion.



■ Installation Steps

* The installation diagram is only for reference.
The product is subject to the real object.

1. Take the kidney slots on the mounting piece as benchmark to drill two Ø8 holes in the wall. Note that the holes should be on the same vertical level. Then insert the anchors.
2. Fix the mounting piece to the wall by self-tapping screws. Note that the mounting holes on the mounting piece should face downwards. Then install the soap dish and tighten with the set screw.
3. Double check if the installation is proper upon completion.

