

INSTRUCTION MANUAL

Installation Notice

1. The product should be installed only after the completion of house interior decoration.(The volatile gases will damage the product.)
2. After installation, check all the joints to make sure they are firmly connected. Then the product is ready for normal use.
3. Hand the manual to users.

Operation Notice

1. Do not place heavy objects on the product.
2. Clean the surface of the product regularly to keep it bright. Note: Please do not use inappropriate tools such as sharp brushes, rough sponges, scouring pads or corrosive detergent. And it is not recommend to use the detergent sold in the market, because its formula changes frequently. Please clean the product with wet cloth and soapywater after usage. Then rinse the soap off with clean water and dry with a soft cotton cloth.
3. Do not disassemble the product without help from the professionals.

INSTRUCTION MANUAL

Installation Notice

1. The product should be installed only after the completion of house interior decoration.(The volatile gases will damage the product.)
2. After installation, check all the joints to make sure they are firmly connected. Then the product is ready for normal use.
3. Hand the manual to users.

Operation Notice

1. Do not place heavy objects on the product.
2. Clean the surface of the product regularly to keep it bright. Note: Please do not use inappropriate tools such as sharp brushes, rough sponges, scouring pads or corrosive detergent. And it is not recommend to use the detergent sold in the market, because its formula changes frequently. Please clean the product with wet cloth and soapywater after usage. Then rinse the soap off with clean water and dry with a soft cotton cloth.
3. Do not disassemble the product without help from the professionals.

INSTRUCTION MANUAL

Installation Notice

1. The product should be installed only after the completion of house interior decoration.(The volatile gases will damage the product.)
2. After installation, check all the joints to make sure they are firmly connected. Then the product is ready for normal use.
3. Hand the manual to users.

Operation Notice

1. Do not place heavy objects on the product.
2. Clean the surface of the product regularly to keep it bright. Note: Please do not use inappropriate tools such as sharp brushes, rough sponges, scouring pads or corrosive detergent. And it is not recommend to use the detergent sold in the market, because its formula changes frequently. Please clean the product with wet cloth and soapywater after usage. Then rinse the soap off with clean water and dry with a soft cotton cloth.
3. Do not disassemble the product without help from the professionals.

INSTRUCTION MANUAL

Installation Notice

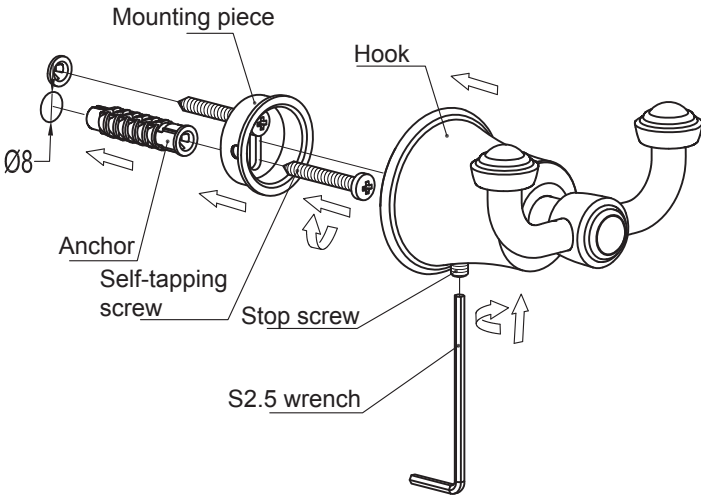
1. The product should be installed only after the completion of house interior decoration.(The volatile gases will damage the product.)
2. After installation, check all the joints to make sure they are firmly connected. Then the product is ready for normal use.
3. Hand the manual to users.

Operation Notice

1. Do not place heavy objects on the product.
2. Clean the surface of the product regularly to keep it bright. Note: Please do not use inappropriate tools such as sharp brushes, rough sponges, scouring pads or corrosive detergent. And it is not recommend to use the detergent sold in the market, because its formula changes frequently. Please clean the product with wet cloth and soapywater after usage. Then rinse the soap off with clean water and dry with a soft cotton cloth.
3. Do not disassemble the product without help from the professionals.

Installation Steps

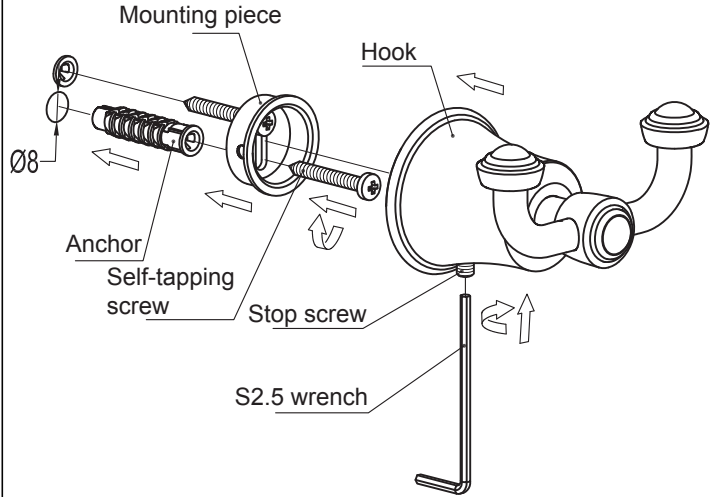
1. Loosen the stop screw and take off the mounting piece, make marks at hole of the mounting piece at a proper height.
2. Drill two $\varnothing 8$ holes in the wall and fix the product body to the wall by anchors and self-tapping screws.
3. Install the hook on the mounting piece against the wall and tighten the stop screw.
4. After installation, check all the joints to ensure they are firmly connected.



* The installation diagram is only for reference, the product is subject to the real object.

Installation Steps

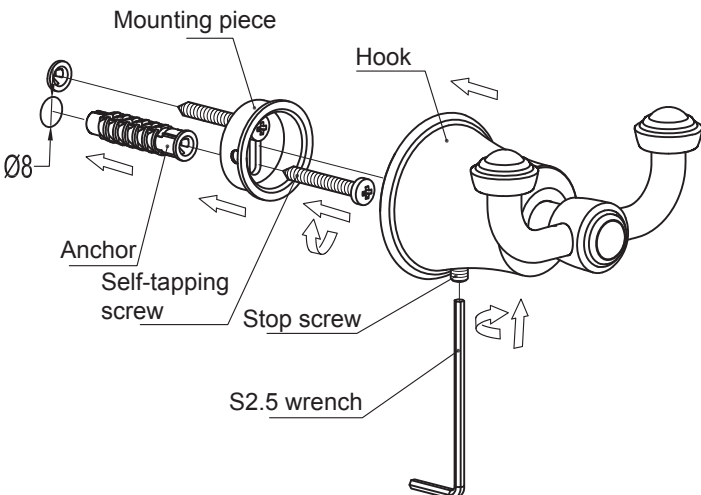
1. Loosen the stop screw and take off the mounting piece, make marks at hole of the mounting piece at a proper height.
2. Drill two $\varnothing 8$ holes in the wall and fix the product body to the wall by anchors and self-tapping screws.
3. Install the hook on the mounting piece against the wall and tighten the stop screw.
4. After installation, check all the joints to ensure they are firmly connected.



* The installation diagram is only for reference, the product is subject to the real object.

Installation Steps

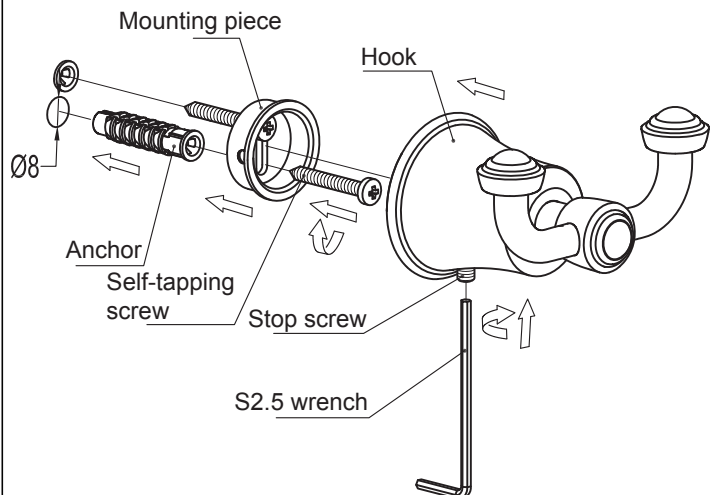
1. Loosen the stop screw and take off the mounting piece, make marks at hole of the mounting piece at a proper height.
2. Drill two $\varnothing 8$ holes in the wall and fix the product body to the wall by anchors and self-tapping screws.
3. Install the hook on the mounting piece against the wall and tighten the stop screw.
4. After installation, check all the joints to ensure they are firmly connected.



* The installation diagram is only for reference, the product is subject to the real object.

Installation Steps

1. Loosen the stop screw and take off the mounting piece, make marks at hole of the mounting piece at a proper height.
2. Drill two $\varnothing 8$ holes in the wall and fix the product body to the wall by anchors and self-tapping screws.
3. Install the hook on the mounting piece against the wall and tighten the stop screw.
4. After installation, check all the joints to ensure they are firmly connected.



* The installation diagram is only for reference, the product is subject to the real object.