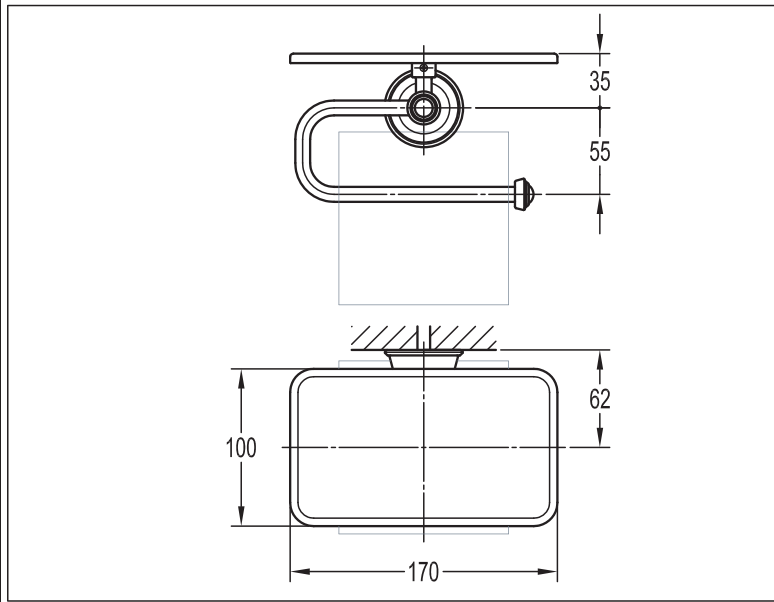


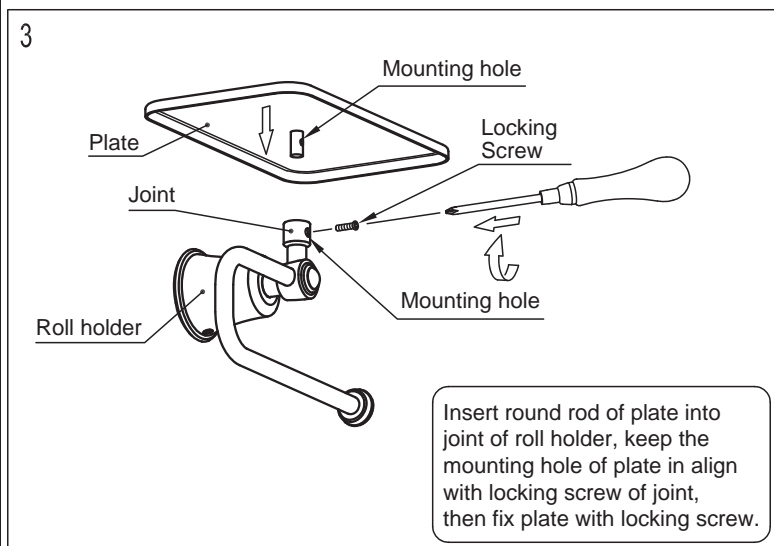
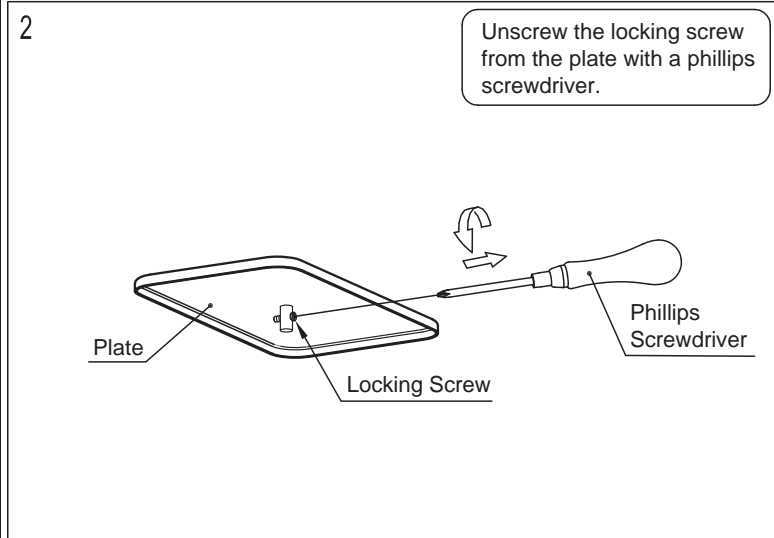
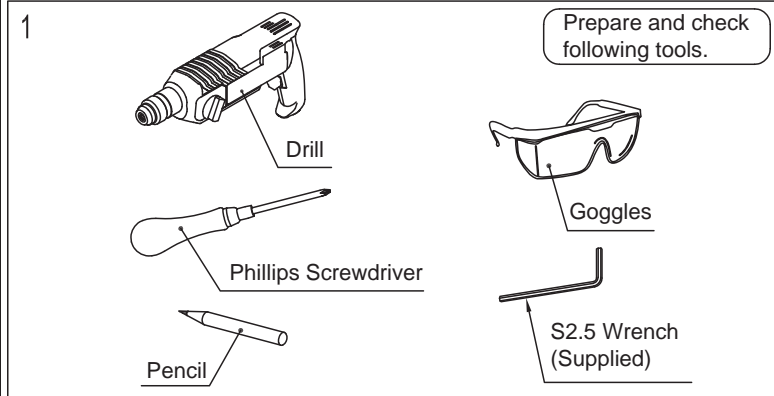
INSTRUCTION MANUAL

BS09161618

III. Installation Diagram



IV. Installation Steps(Fig.1 - 7) * The installation diagram is only for reference, the product is subject to the real object.



I. Installation Notice

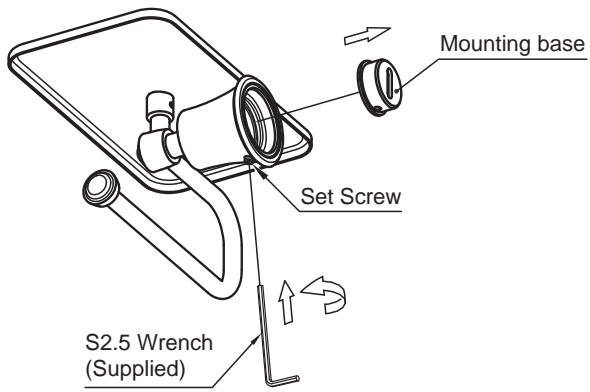
1. Install this product only after the completion of house interior decoration in case paint or other chemicals erode product surface.
2. After installation, ensure all the joints are connected well, then hand over to customer.
3. Leave the installation manual to the user.

II. Operation Notice

1. Do not hang heavy things on the product.
2. Regularly clean the surface of faucet to keep it bright. Attention: do not use inappropriate tools such as sharp brushes, rough sponges, scouring pads or corrosive detergent to clean the faucet, and we do not recommend that you use the detergent sold in the market, because its formula is changing frequently. Please clean the faucet by a wet cotton cloth with soapy water, then rinse and dry with a soft cotton cloth after each time of usage.
3. Do not disassemble the product to avoid any damage.

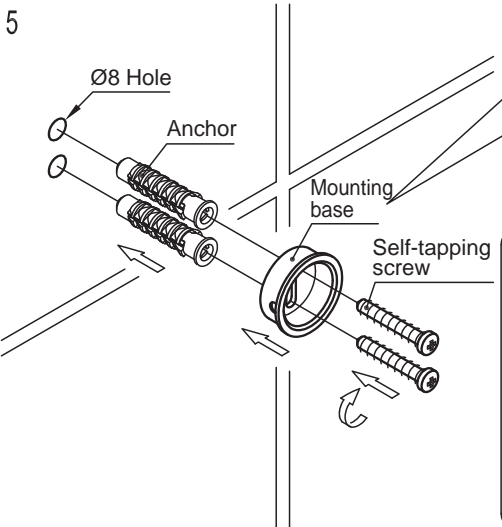
4

Loosen set screw and remove mounting base.



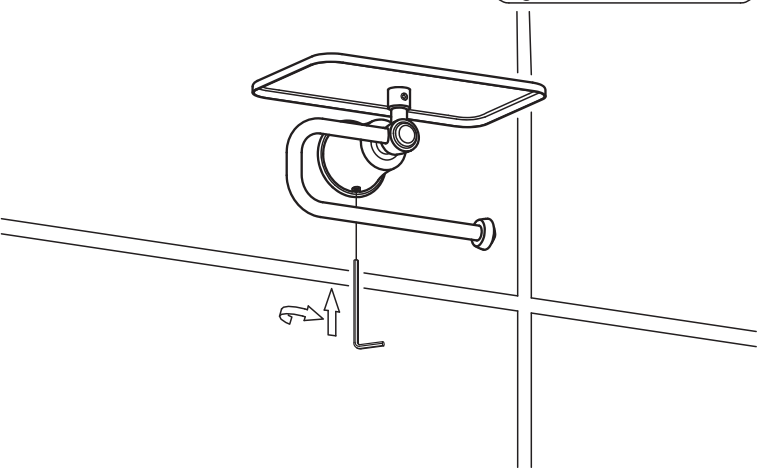
5

Drill two Ø8 holes on the wall base on kidney slots of mounting base (Note to keep two holes vertical), insert anchors. Fix mounting base on the wall with self-tapping screws (Note: mounting holes of mounting base face downwards).



6

Install the roll holder and tighten with set screw



7

After installation, check if the installation is qualified.

