

INSTRUCTION MANUAL

BS09381634

I. Installation Notice

1. All the components should be installed only after the completion of house interior decoration in case paint or other chemicals erode the mixer surface.
2. After installation, check all the joints to ensure they are firmly connected. Then the product is ready for normal use.
3. Hand the manual to users.

II. Operation Notice

1. Do not hang heavy objects on the mixer.
2. Regularly clean the surface of product to keep it bright. Attention: Do not use inappropriate tools such as sharp brushes, rough sponges, scouring pads or corrosive detergent to clean the product. It is not recommended to use the detergent sold in the market, because its formula changes frequently. Please clean the product with wet cloth and soapy water after usage. Then rinse the soap off with clean water and dry with a soft cotton cloth.
3. Do not disassemble the product without help from the professionals.

■ Installation Diagram

* The installation diagram is only for reference. The product is subject to the real object.

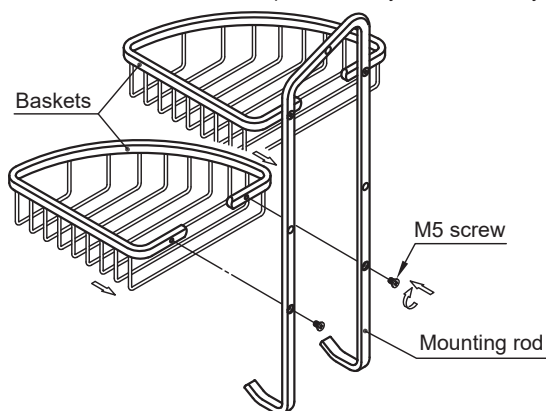


Diagram 1

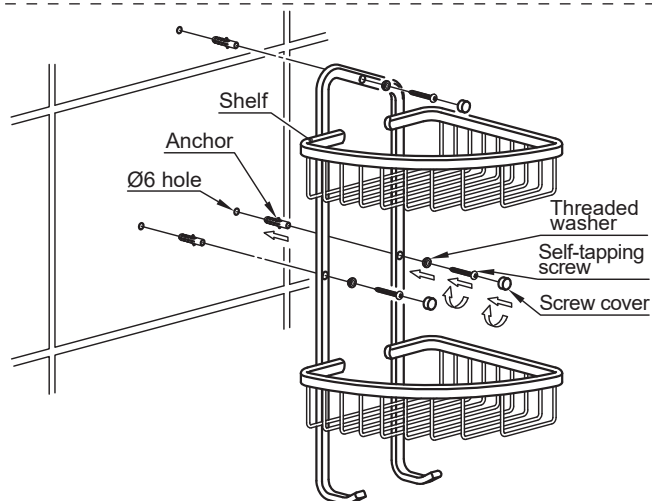


Diagram 2

■ Installation Steps

1. Connect baskets (from top to bottom) to the fixed rods with M5 screws as shown in Diagram 1.
2. Take the mounting holes on the mounting rod as benchmark to drill three Ø6 holes in the wall, then insert the anchors. Fix the shelf to the wall by self-tapping screws and adjustable bases as shown in Diagram 2.
3. Place the screw cover onto the threaded washer.
4. When completed, double check if the installation is proper.