

# INSTRUCTION MANUAL

BS09341633

## I. Installation Notice

1. All the components should be installed only after the completion of house interior decoration in case paint or other chemicals erode the mixer surface.
2. After installation, check all the joints to ensure they are firmly connected. Then the product is ready for normal use.
3. Hand the manual to users.

## II. Operation Notice

1. Do not hang heavy objects on the mixer.
2. Regularly clean the surface of product to keep it bright. Attention: Do not use inappropriate tools such as sharp brushes, rough sponges, scouring pads or corrosive detergent to clean the product. It is not recommended to use the detergent sold in the market, because its formula changes frequently. Please clean the product with wet cloth and soapy water after usage. Then rinse the soap off with clean water and dry with a soft cotton cloth.
3. Do not disassemble the product without help from the professionals.

■ **Installation Diagram** \* The installation diagram is only for reference. The product is subject to the real object.

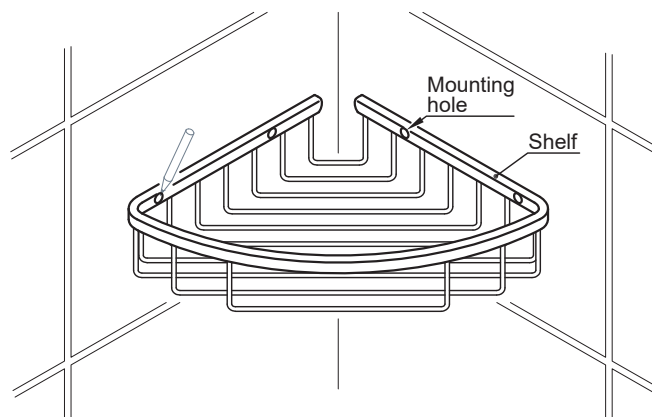


Diagram 1

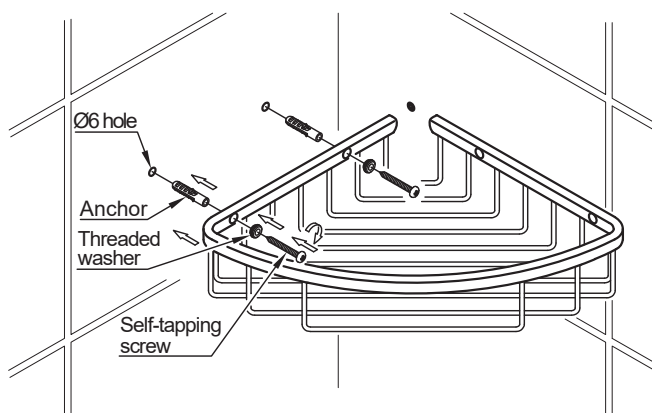


Diagram 2

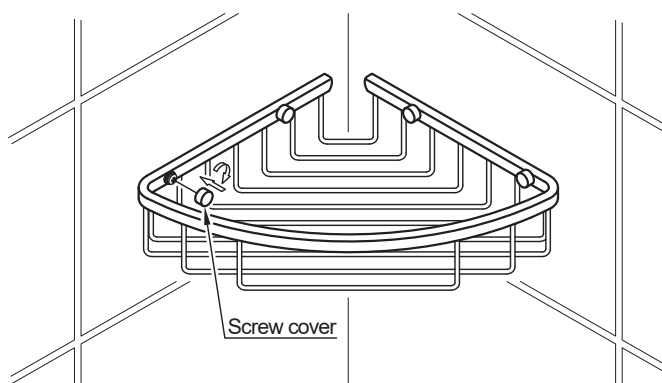


Diagram 3

## ■ Installation Steps

1. According to Diagram 1, place the shelf horizontally at a suitable height in the corner of the wall and take the mounting holes on the shelf as benchmark to drill four  $\varnothing 6$  holes in the wall. (Note: The four holes should be on the same level.)
2. Insert the anchors. Fix the shelf to the wall by self-tapping screws and threaded washers as shown in Diagram 2.
3. Place the screw cover onto the threaded washer as shown in Diagram 3.
4. When completed, double check if the installation is proper.