

INSTRUCTION MANUAL

I. Installation Notice

1. All the components should be installed only after the completion of house interior decoration in case paint or other chemicals erode the mixer surface.
2. After installation, check all the joints to ensure they are firmly connected. Then the product is ready for normal use.
3. Hand the manual to users.

II. Operation Notice

1. Do not hang heavy objects on the mixer.
2. Regularly clean the surface of product to keep it bright. Attention: Do not use inappropriate tools such as sharp brushes, rough sponges, scouring pads or corrosive detergent to clean the product. It is not recommended to use the detergent sold in the market, because its formula changes frequently. Please clean the product with wet cloth and soapy water after usage. Then rinse the soap off with clean water and dry with a soft cotton cloth.
3. Do not disassemble the product without help from the professionals.

INSTRUCTION MANUAL

I. Installation Notice

1. All the components should be installed only after the completion of house interior decoration in case paint or other chemicals erode the mixer surface.
2. After installation, check all the joints to ensure they are firmly connected. Then the product is ready for normal use.
3. Hand the manual to users.

II. Operation Notice

1. Do not hang heavy objects on the mixer.
2. Regularly clean the surface of product to keep it bright. Attention: Do not use inappropriate tools such as sharp brushes, rough sponges, scouring pads or corrosive detergent to clean the product. It is not recommended to use the detergent sold in the market, because its formula changes frequently. Please clean the product with wet cloth and soapy water after usage. Then rinse the soap off with clean water and dry with a soft cotton cloth.
3. Do not disassemble the product without help from the professionals.

INSTRUCTION MANUAL

I. Installation Notice

1. All the components should be installed only after the completion of house interior decoration in case paint or other chemicals erode the mixer surface.
2. After installation, check all the joints to ensure they are firmly connected. Then the product is ready for normal use.
3. Hand the manual to users.

II. Operation Notice

1. Do not hang heavy objects on the mixer.
2. Regularly clean the surface of product to keep it bright. Attention: Do not use inappropriate tools such as sharp brushes, rough sponges, scouring pads or corrosive detergent to clean the product. It is not recommended to use the detergent sold in the market, because its formula changes frequently. Please clean the product with wet cloth and soapy water after usage. Then rinse the soap off with clean water and dry with a soft cotton cloth.
3. Do not disassemble the product without help from the professionals.

INSTRUCTION MANUAL

I. Installation Notice

1. All the components should be installed only after the completion of house interior decoration in case paint or other chemicals erode the mixer surface.
2. After installation, check all the joints to ensure they are firmly connected. Then the product is ready for normal use.
3. Hand the manual to users.

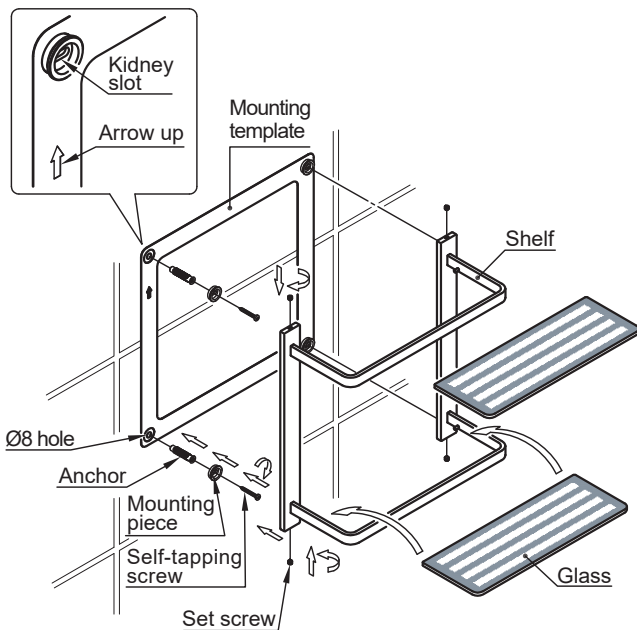
II. Operation Notice

1. Do not hang heavy objects on the mixer.
2. Regularly clean the surface of product to keep it bright. Attention: Do not use inappropriate tools such as sharp brushes, rough sponges, scouring pads or corrosive detergent to clean the product. It is not recommended to use the detergent sold in the market, because its formula changes frequently. Please clean the product with wet cloth and soapy water after usage. Then rinse the soap off with clean water and dry with a soft cotton cloth.
3. Do not disassemble the product without help from the professionals.

■ Installation Steps

* The installation diagram is only for reference.
The product is subject to the real object.

1. Place the mounting template horizontally at a suitable height on the wall (with the arrow up). Take the kidney slots on the mounting pieces as benchmark to drill four Ø8 holes in the wall. (Note that the holes in the upper and lower rows should be on the same level.)
2. Insert the anchors. Fix the four mounting pieces to the wall by self-tapping screws. (The kidney slot should be horizontally placed.) Then remove the gauge. Install the shelf and tighten with set screws.
3. Place the glass into the shelf frame.
4. When completed, double check if the installation is proper.

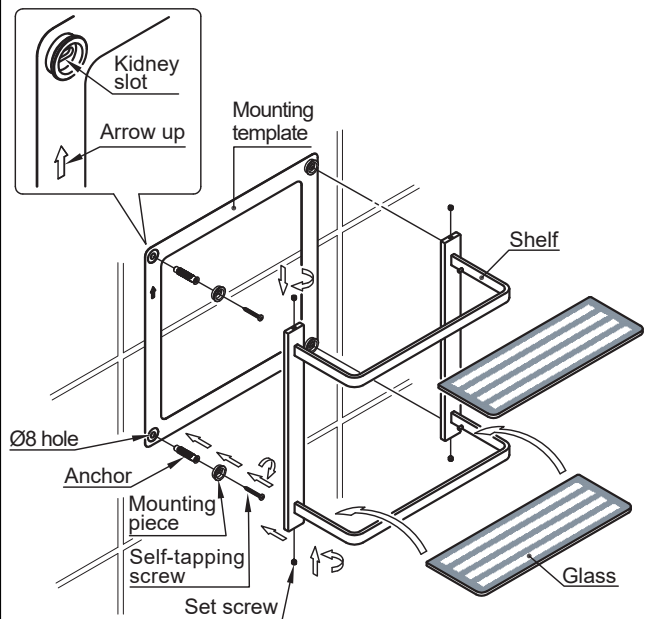


BS09311635

■ Installation Steps

* The installation diagram is only for reference.
The product is subject to the real object.

1. Place the mounting template horizontally at a suitable height on the wall (with the arrow up). Take the kidney slots on the mounting pieces as benchmark to drill four Ø8 holes in the wall. (Note that the holes in the upper and lower rows should be on the same level.)
2. Insert the anchors. Fix the four mounting pieces to the wall by self-tapping screws. (The kidney slot should be horizontally placed.) Then remove the gauge. Install the shelf and tighten with set screws.
3. Place the glass into the shelf frame.
4. When completed, double check if the installation is proper.

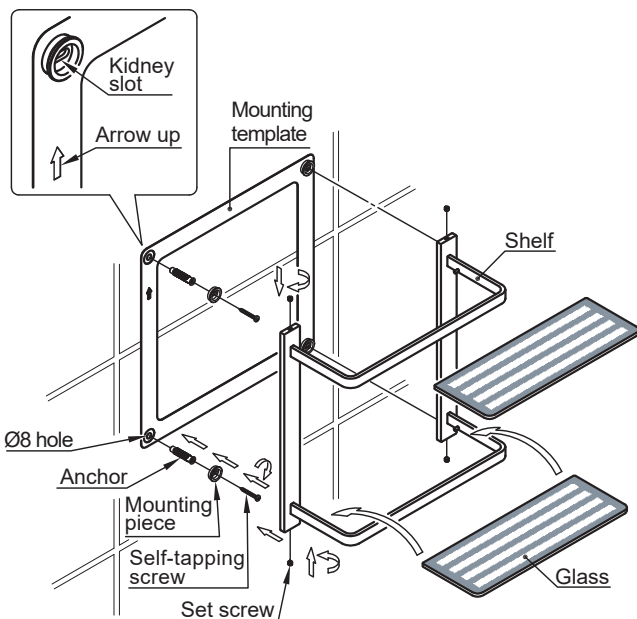


BS09311635

■ Installation Steps

* The installation diagram is only for reference.
The product is subject to the real object.

1. Place the mounting template horizontally at a suitable height on the wall (with the arrow up). Take the kidney slots on the mounting pieces as benchmark to drill four Ø8 holes in the wall. (Note that the holes in the upper and lower rows should be on the same level.)
2. Insert the anchors. Fix the four mounting pieces to the wall by self-tapping screws. (The kidney slot should be horizontally placed.) Then remove the gauge. Install the shelf and tighten with set screws.
3. Place the glass into the shelf frame.
4. When completed, double check if the installation is proper.

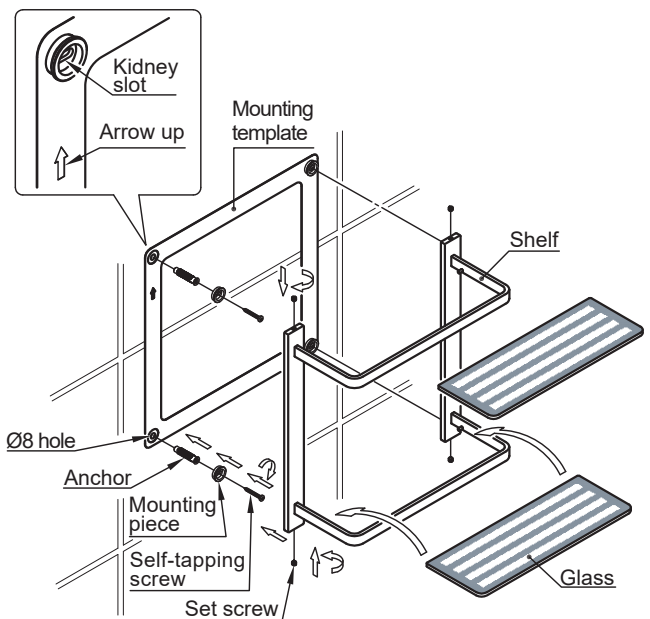


BS09311635

■ Installation Steps

* The installation diagram is only for reference.
The product is subject to the real object.

1. Place the mounting template horizontally at a suitable height on the wall (with the arrow up). Take the kidney slots on the mounting pieces as benchmark to drill four Ø8 holes in the wall. (Note that the holes in the upper and lower rows should be on the same level.)
2. Insert the anchors. Fix the four mounting pieces to the wall by self-tapping screws. (The kidney slot should be horizontally placed.) Then remove the gauge. Install the shelf and tighten with set screws.
3. Place the glass into the shelf frame.
4. When completed, double check if the installation is proper.



BS09311635