

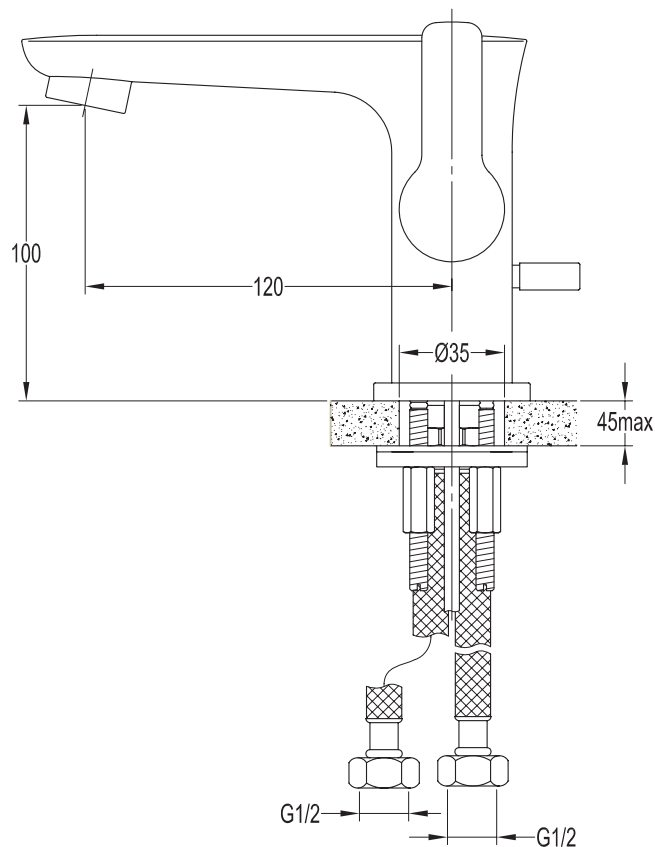
## I Installation Notice

1. Install water supply lines in accordance with this manual.
2. Floor drain should be installed in the location of the faucet.
3. Install the faucet only after the completion of house interior decoration in case paint or other chemicals erode the faucet surface.
4. Clean pipes to get rid of mud, sand or other debris blocked in pipes.
5. Check whether the threads can be matched. Otherwise, too strong force applied to the wrench will damage the faucet.
6. After installation, check all the joints to make sure they are firmly connected. Then keep water flow. Turn on and off repeatedly to ensure there is no leakage around the joints. At this stage, the product is ready for normal use.
7. Keep the manual to the user.

## II Operation Notice

1. The product is used between water pressure 0.05~1.0MPa, water temperature 4~90°C.
2. Do not hang heavy things on the faucet.
3. Make sure the faucet is off when no water comes out of it (especially when nobody resides in the house or during the period of decoration or the absence of water).
4. Always clean the surface of faucet to keep it bright.  
Attention: Please do not use inappropriate tools such as sharp brushes, rough sponges, scouring pads or corrosive detergent to clean the faucet, and we do not recommend that you use the detergent sold in the market, because its formula is changing frequently. Please clean the faucet by wet cloth and soapy water after each time of usage. Then rinse the soap out with clean water and dry with a soft cotton cloth.
5. When the room temperature drops to below 0°C, take necessary measures (such measures as keeping faucet warm and closing windows) to prevent the faucet from being frozen or even broken (especially when windows kept open for air ventilation while nobody resides in).
6. You should open the cold and hot water in turn and adjust the temperature before washing or showering. Don't touch the faucet of hot part to avoid scald.
7. Do not disassemble the product unless you are an expert.

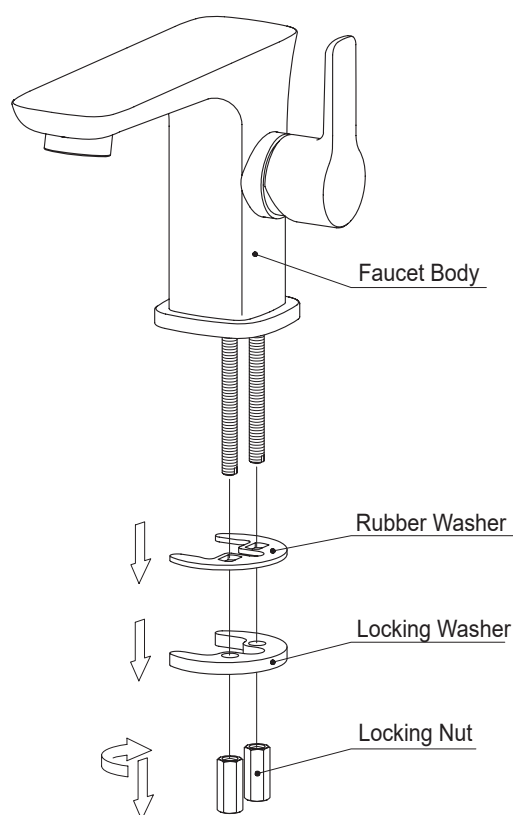
## III Installation Diagram



## IV Installing Steps (As shown in figure 1~5):

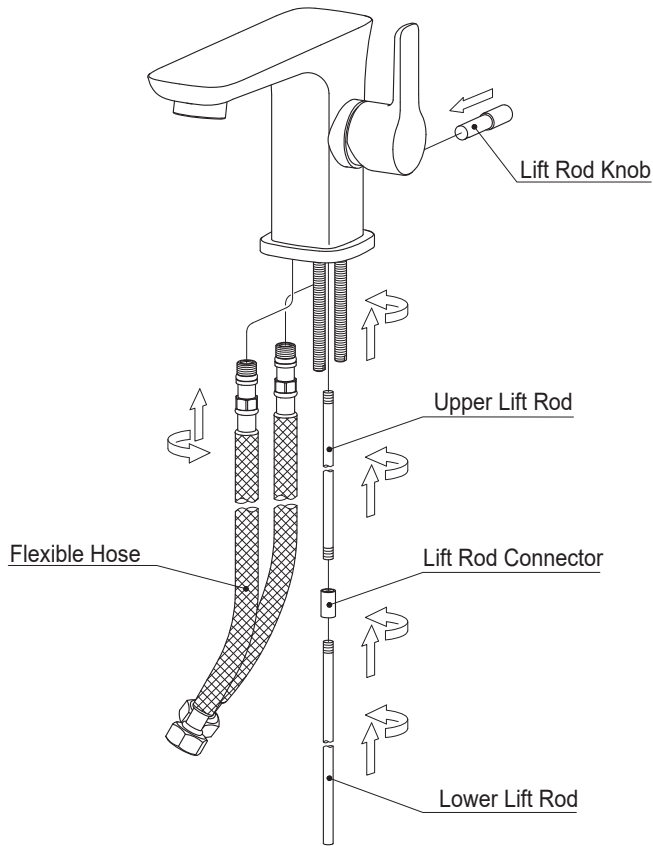
1

Remove the locking nut, locking washer and rubber washer from the faucet body.



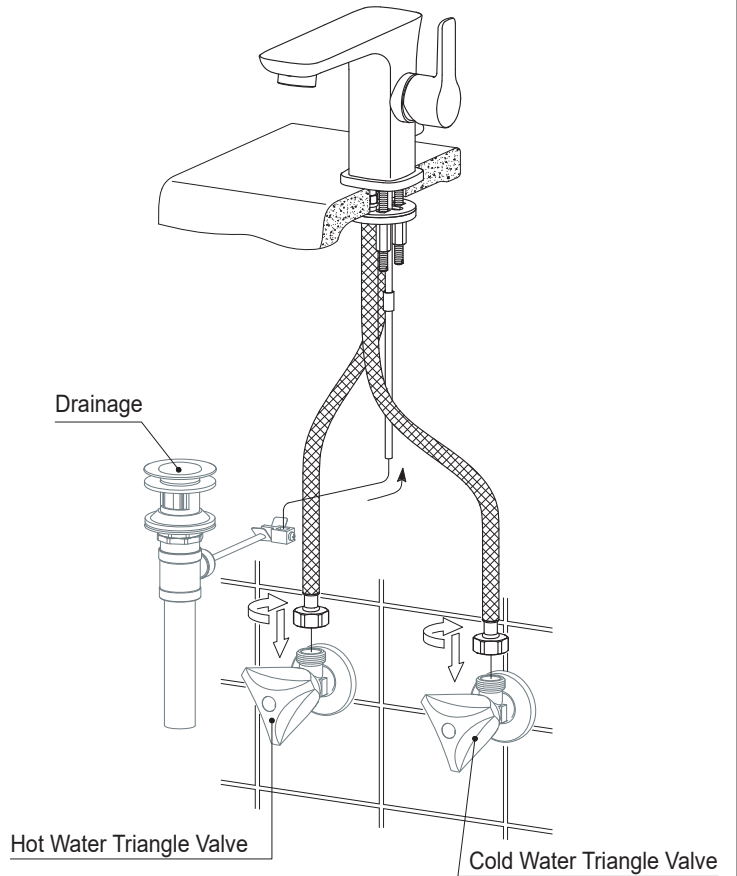
2

Connect the upper lift rod and lower lift rod. Put the lift rod knob into the slot in the back of faucet body to connect with the upper lift rod. Screw the flexible hoses (attention to the red and blue notes).



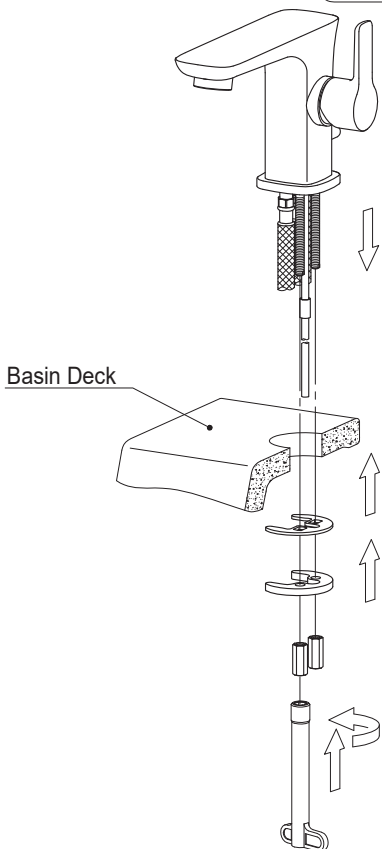
4

Connect the flexible hoses with triangle valves (red on the left and blue on the right). Connect the lift rod with drainage.



3

Place the faucet body over the basin deck. Put on the rubber washer and locking washer, and fix with locking nuts.



5

After installation, run water for inspection. The figure is for the case when the handle is turned on.

