

INSTRUCTION MANUAL

BS02501411

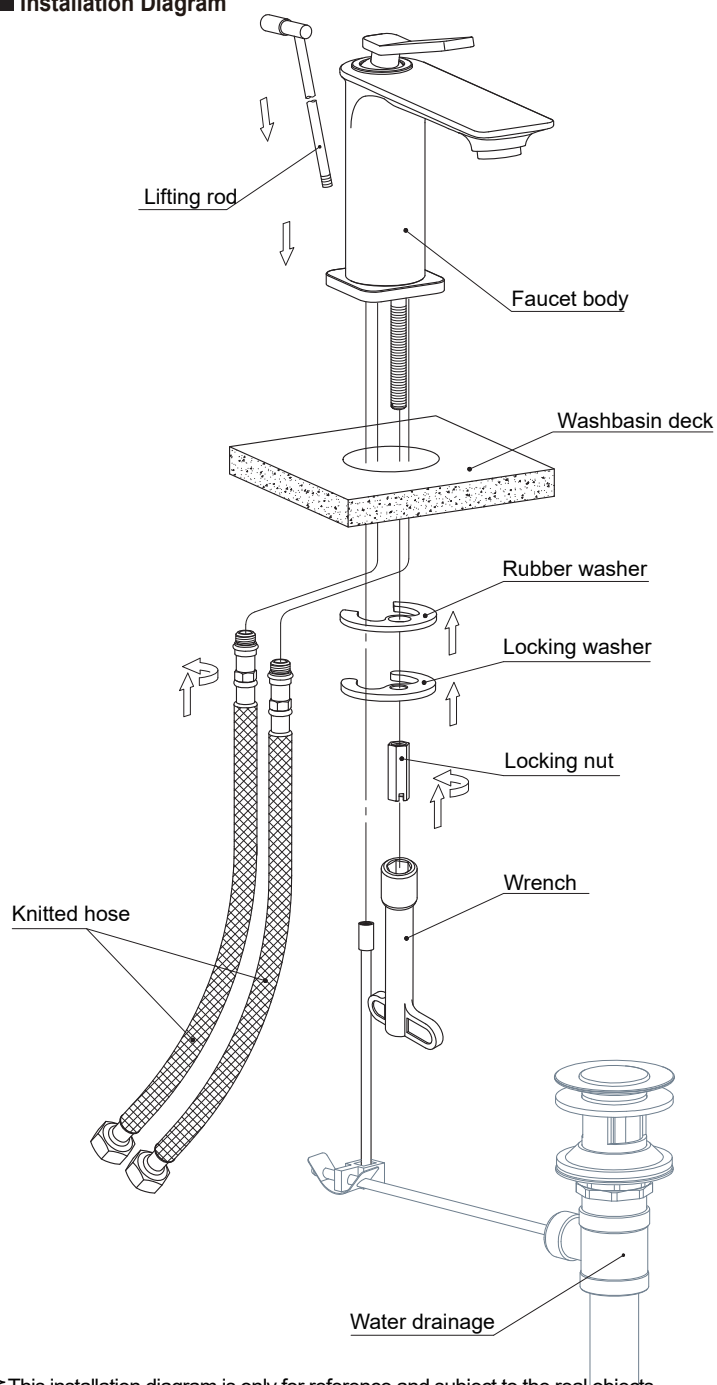
I Installation Notice

1. Install water supply lines in accordance with this manual.
2. Floor drain should be installed in the location of the faucet.
3. Install the faucet only after the completion of house interior decoration in case paint or other chemicals erode the faucet surface.
4. Clean pipes to get rid of mud, sand or other debris blocked in pipes.
5. Check whether the threads can be matched. Otherwise, too strong force applied to the wrench will damage the faucet.
6. After installation, check all the joints to make sure they are firmly connected. Then keep water flow. Turn on and off repeatedly to ensure there is no leakage around the joints. At this stage, the product is ready for normal use.
7. Keep the manual to the user.

II. Operation Notice:

1. The product is used between water pressure 0.05~1.0MPa, water temperature 4~90°C.
 2. Do not hang heavy things on the faucet.
 3. Make sure the faucet is off when no water comes out of it (especially when nobody resides in the house or during the period of decoration or the absence of water).
 4. Always clean the surface of faucet to keep it bright. Attention: please do not use inappropriate tools such as sharp brushes, rough sponges, scouring pads or corrosive detergent to clean the faucet, and we do not recommend that you use the detergent sold in the market, because its formula is changing frequently. Please clean the faucets by wet cloth and soapy water after each time of usage. Then rinse the soap out with clean water and dry with a soft cotton cloth.
 5. When the room temperature drops to below 0°C, take necessary measures (such as keeping faucet warm and closing windows) to prevent the faucet from being frozen or even broken (especially when windows kept open for air ventilation while nobody resides in).
 6. Please open the cold water and hot water in turn and adjust the temperature before washing or showering. Don't touch the faucet of the hot part to avoid scalding.
 7. Do not disassemble the product unless you are an expert.
- ◇ FLOVA company reserves the right for this manual installation, and have the right to modify its content and without prior notice.
- ◇ FLOVA company will not be responsible for the consequence of improper installation and usage.

■ Installation Diagram



◇ This installation diagram is only for reference and subject to the real objects.

■ Installing Steps:

1. Unscrew the locking nut, remove the locking washer and rubber washer.
2. Screw the two knitted hoses (red on left, blue on right) to the faucet body tightly. Insert the lifting rod into the lifting groove which is in the back of the faucet.
3. Put the faucet through the washbasin deck, put rubber washer, locking washer in turn, and tighten them by locking nut.
4. Install the water drainage, and connect it to the lifting rod.
5. Connect knitted hoses with the triangle valve. Attention: hot water supply on left, cold water supply on right.
6. Turn on water for inspection.