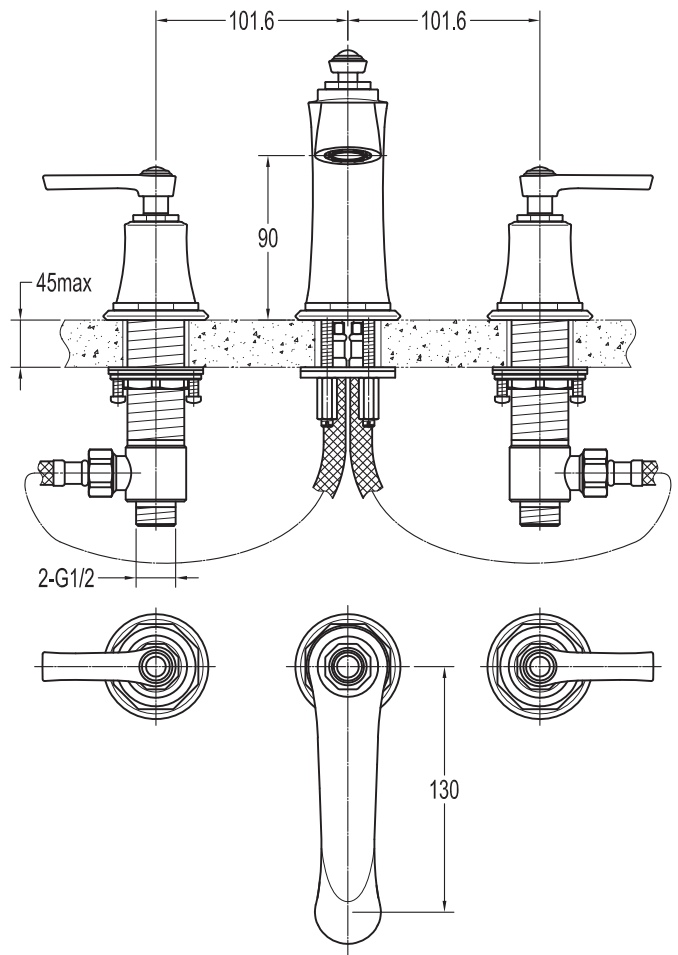


INSTRUCTION MANUAL

BS02561545

III. Installation Diagram



* The installation diagram is only for reference, the product is subject to the real object.

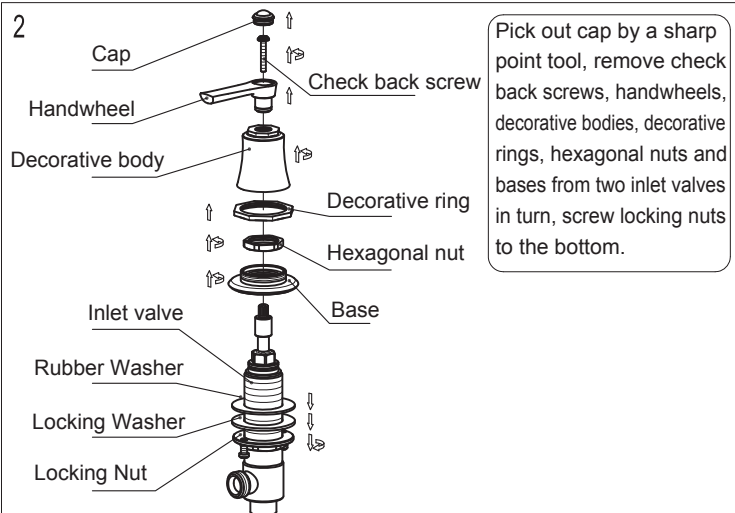
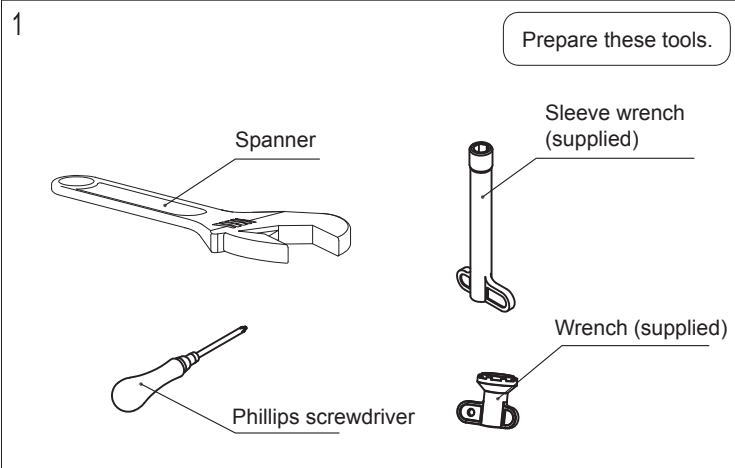
I. Installation Notice

1. Install water supply lines in accordance with this manual.
2. Floor drain should be installed in the location of the faucet, flat surface should be smooth.
3. Install the faucet only after the completion of house interior decoration in case paint or other chemicals erode the faucet surface.
4. Clean pipes to get rid of mud, sand or other debris blocked in pipes.
5. Check whether the threads can be matched. Otherwise, too strong force applied to the wrench will damage the faucet.
6. After installation, flow water to check if the installation is qualified. Note to turn on water supply, open and close faucet repeatedly to ensure there are no leakage. When test well, the product is ready for normal use.
7. Keep the manual to the user.

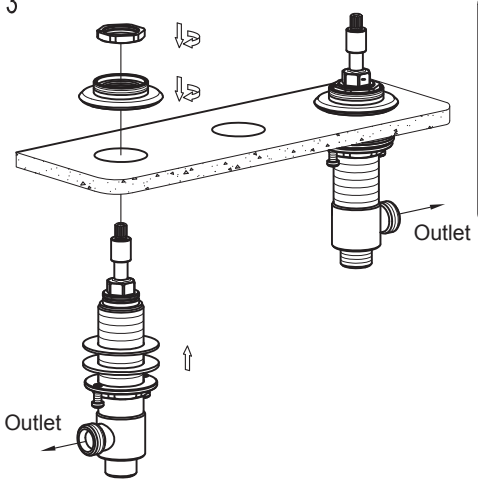
II. Operation Notice

1. The product is used under water pressure 0.05~1.0Mpa, water temperature 4~90°C.
2. Do not hang heavy things on the faucet.
3. Make sure the faucet is off when no water comes out of it (especially when nobody resides in or during the period of decoration or suspend of water).
4. Regularly clean the surface of faucet to keep it bright. Attention: do not use inappropriate tools such as sharp brushes, rough sponges, scouring pads or corrosive detergent to clean the faucet, and we do not recommend that you use the detergent sold in the market, because its formula is changing frequently. Please clean the faucet by a wet cotton cloth with soapy water, then rinse and dry with a soft cotton cloth after each time of usage.
5. When the room temperature drops to below 0°C, take necessary measures (such as keeping faucet warm and closing windows) to prevent the faucet from being frozen or even broken (especially when windows kept open for air ventilation while nobody resides in).
6. Please open the cold and hot water in turn and adjust to comfortable temperature before washing to avoid scald.
7. Do not disassemble the product unless you are an expert.

IV. Installation Steps (Fig.1 - 9)

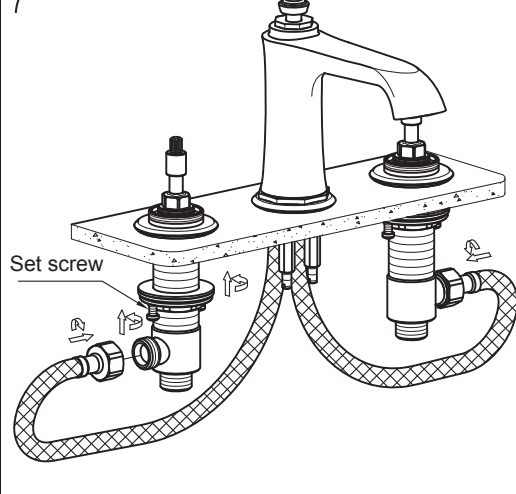


3



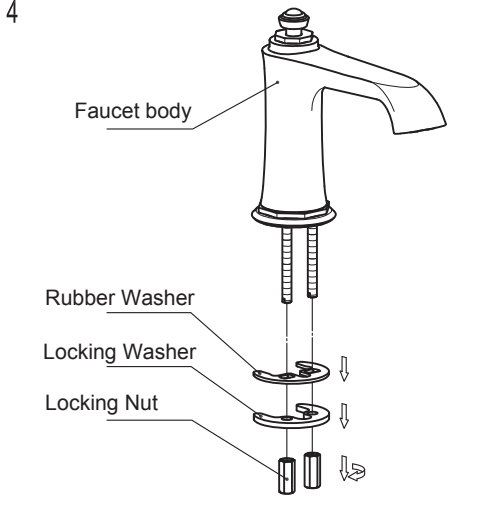
Pass two inlet valves (red on left and blue on right) from down upwards through holes of basin, keep outlets of inlet valves toward the opposite, install and tighten base, then fix hexagonal nut.

7



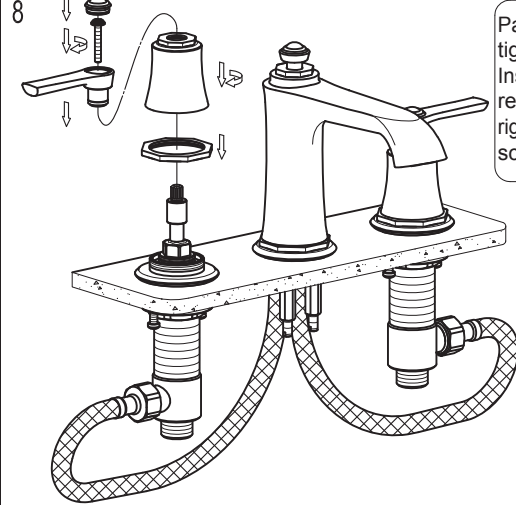
Connect hoses to inlet valves, tighten locking nuts and set screws on inlet valves in turn.

4



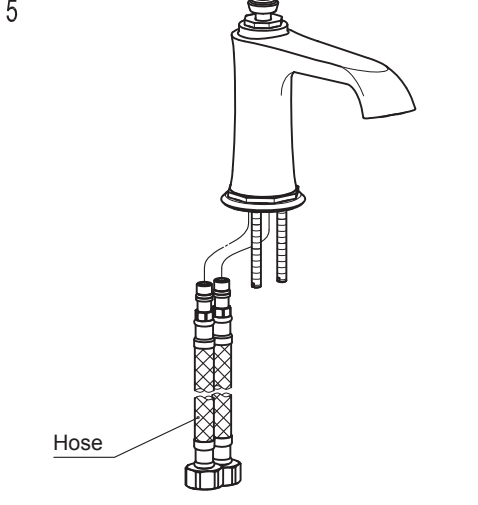
Remove locking nut, locking washer and rubber washer from faucet body.

8



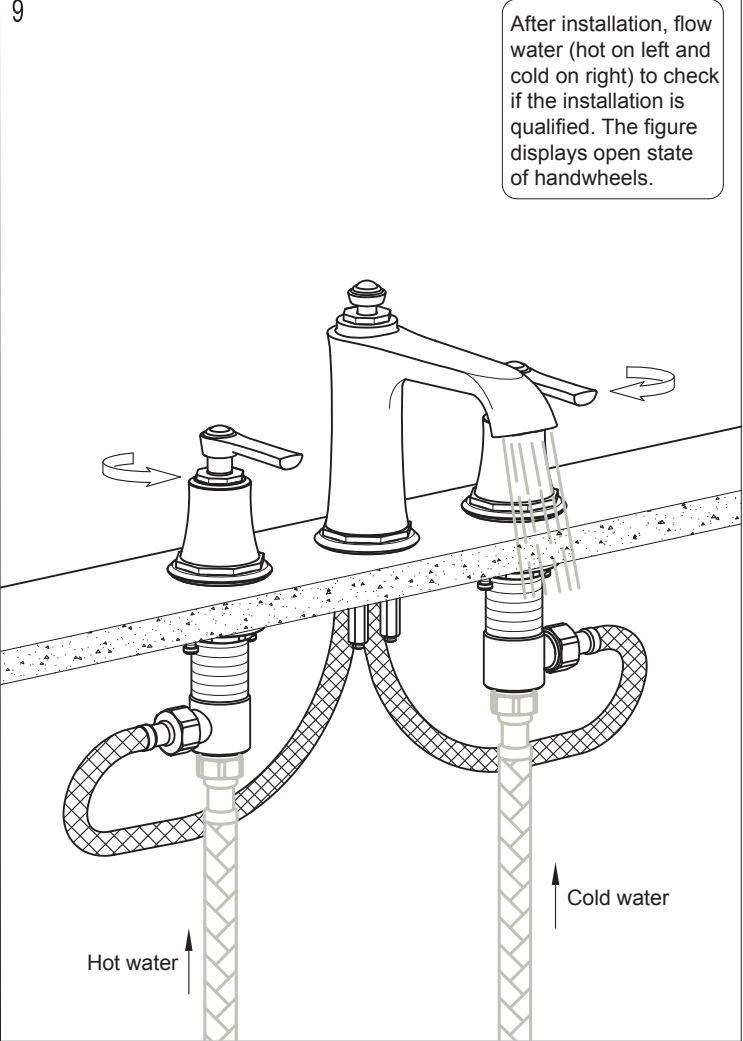
Pad decorative rings and tighten decorative body. Install handwheels (Note: red on left and blue on right), fix with check back screws and insert cap.

5



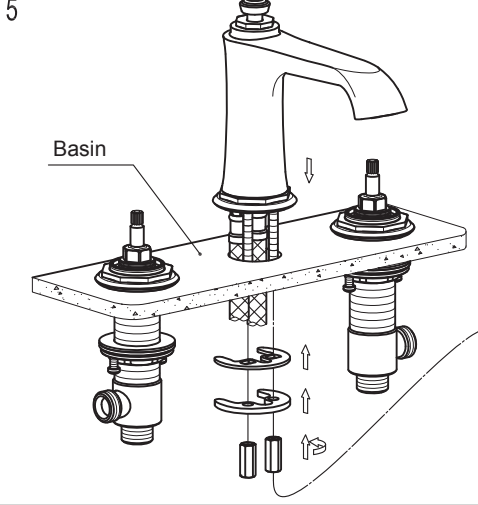
Connect hoses (Torque $\leq 5N \cdot m$) as red(hot) on left and blue(cold) on right.

9



After installation, flow water (hot on left and cold on right) to check if the installation is qualified. The figure displays open state of handwheels.

5



Pass faucet body from up downwards through hole of basin, pad rubber washer and locking washer, fix with locking nuts.