

INSTRUCTION MANUAL

BS02621727

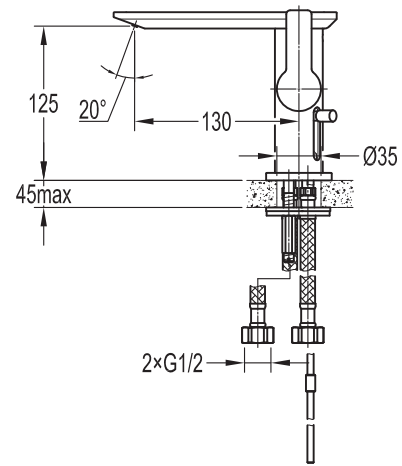
Installation Notice

1. Please lay water pipes in accordance with this manual.
2. Floor drain should be installed on the site.
3. The product should be installed only after the completion of house interior decoration in case the paint or other chemicals erode the mixer surface.
4. Clean pipes to get rid of mud, sand or other debris blocked in pipes before installation.
5. Check whether the threads can be matched. Otherwise, installing forcefully will damage the components.
6. After installation, check all the joints to make sure they are firmly connected. Run the water. Turn on and off repeatedly to ensure no leaking problem. After that, the product is ready for normal use.
7. Hand the manual to users.

Operation Notice

1. The product is used under water pressure 0.05~1.0 MPa, water temperature 4~90°C.
2. Do not hang heavy things on the product.
3. Remember to turn off the mixer if no water comes out of it (Especially when nobody in the house or during the decoration period).
4. Clean the surface of the product regularly to keep it glossy. Note: Please do not use inappropriate tools such as sharp brushes, rough sponges, scouring pads or corrosive detergent. And it is not recommend to use the detergent sold in the market, because its formula changes frequently. Please clean the product with wet cloth and soapy water after usage. Then rinse the soap off with clean water and dry with a soft cotton cloth.
5. When indoor temperature drops below 0°C, take necessary measures (Keep the product warm, close windows) to prevent the product from frost cracking (Especially when windows open for air ventilation while nobody in the house).
6. Adjust the temperature before use to avoid scald.
7. Do not disassemble the product without help from the professionals.

Installation Diagram

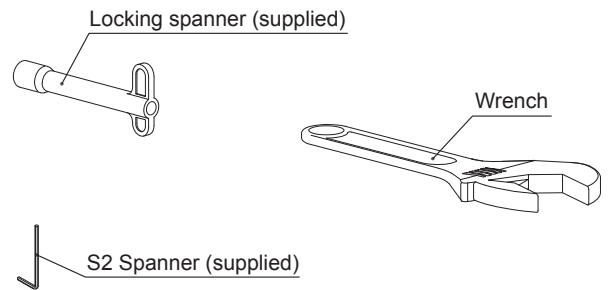


Installation Steps (Fig. 1~6)

* The installation diagram is only for reference, the product is subject to the real object.

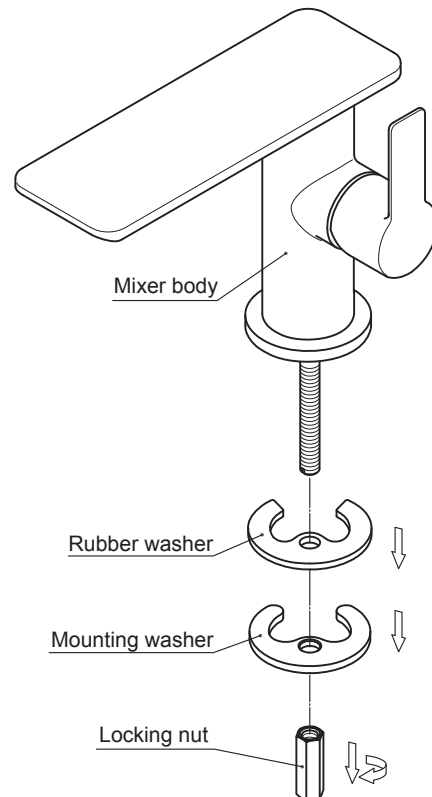
1

Prepare below tools.

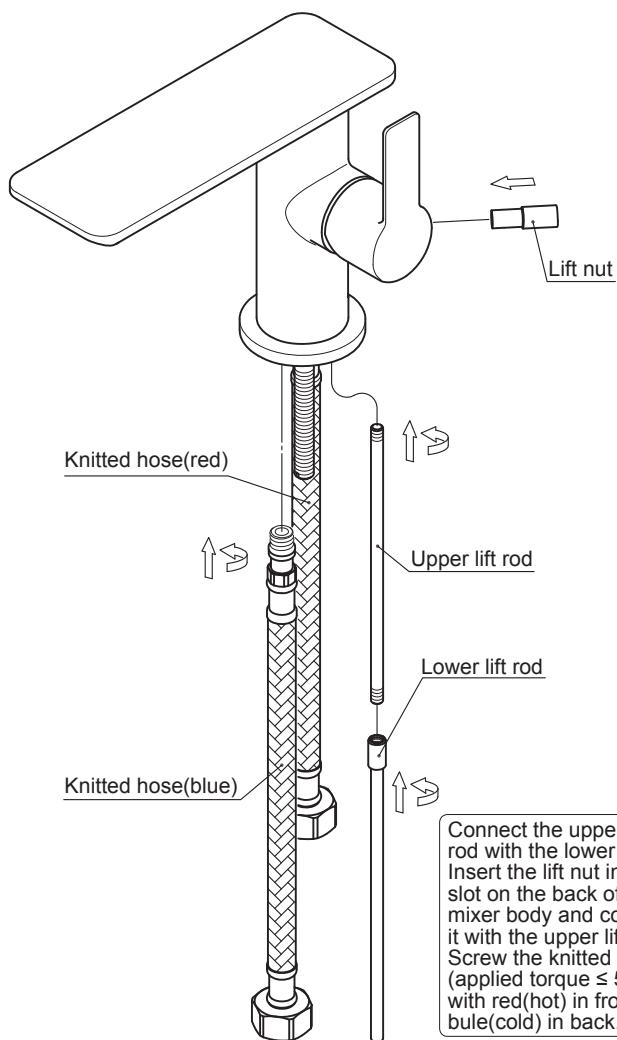


2

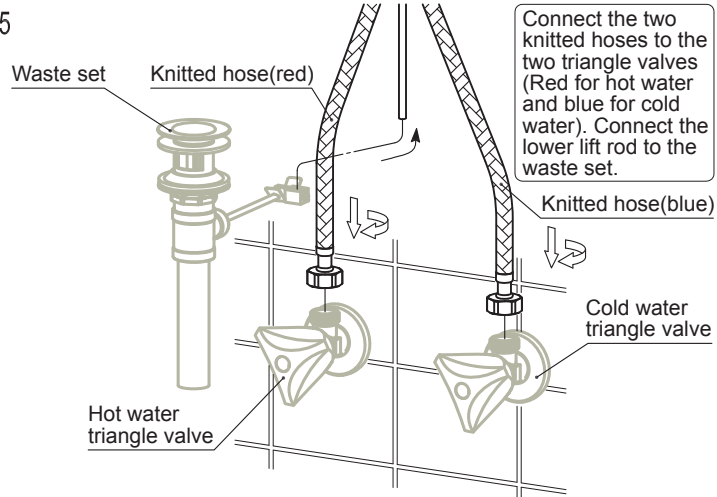
Disassemble the locking nut, mounting washer and rubber washer from the mixer body in turn.



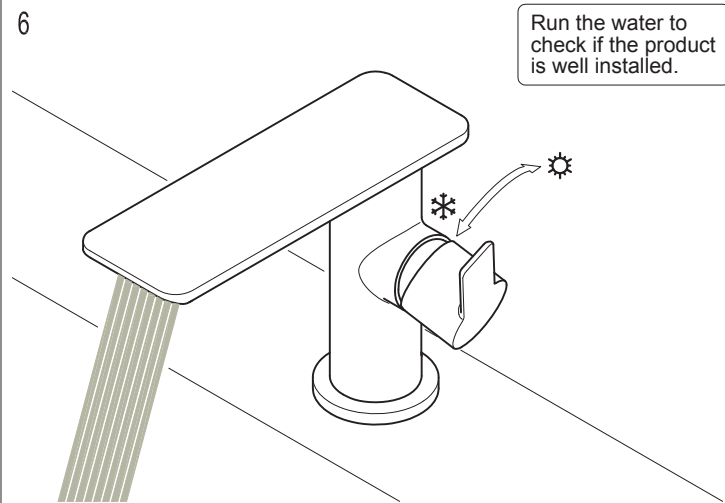
3



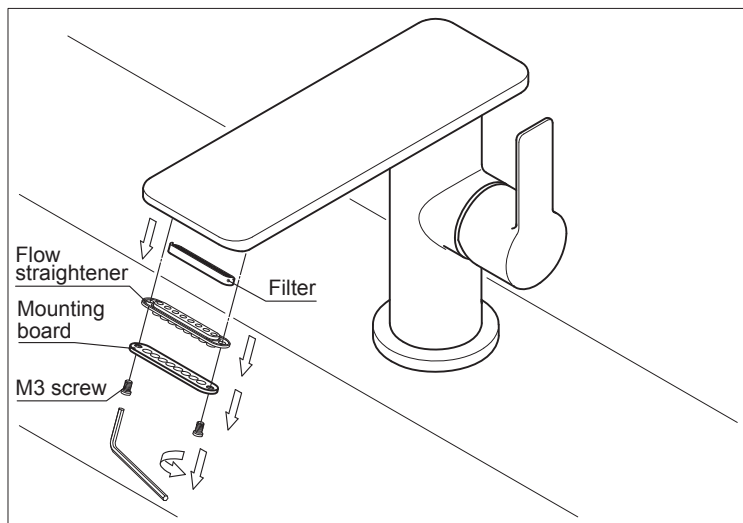
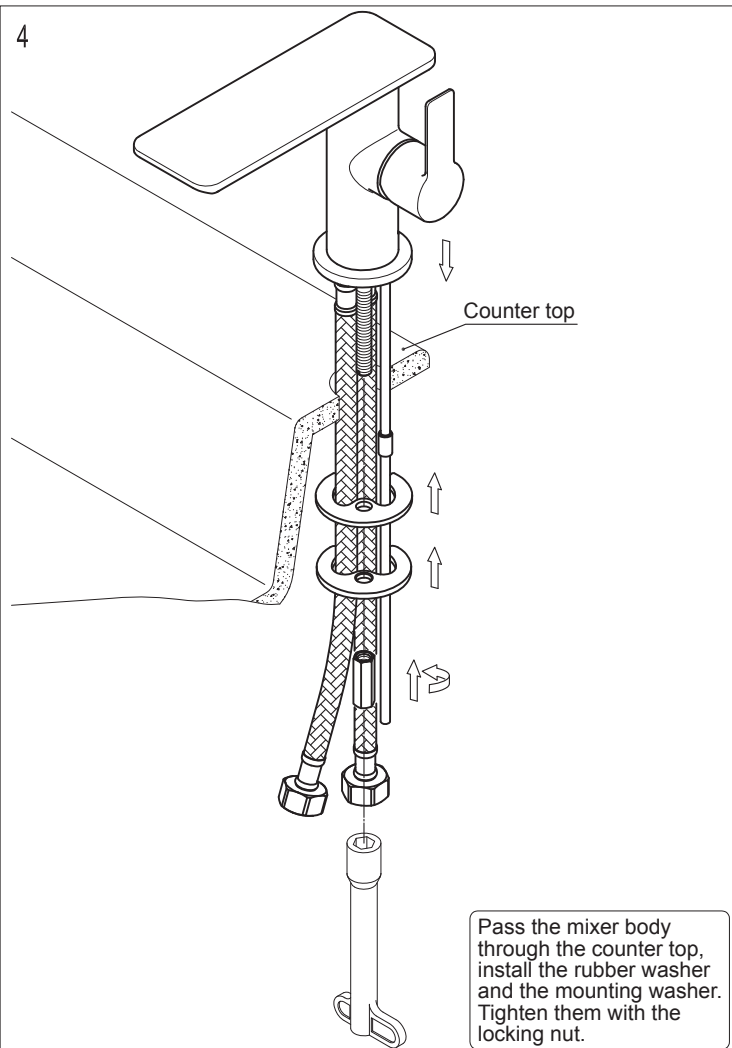
5



6



4



If the flow rate gradually decreases after some time, it usually results from poor water quality leading to blockage of the filter. Please clean the filter as shown in figure above: Turn off the handle, unscrew the M3 screw with the S2 spanner, take off the mounting board, the flow straightener and the filter in turn, wash the filter and then install them back.