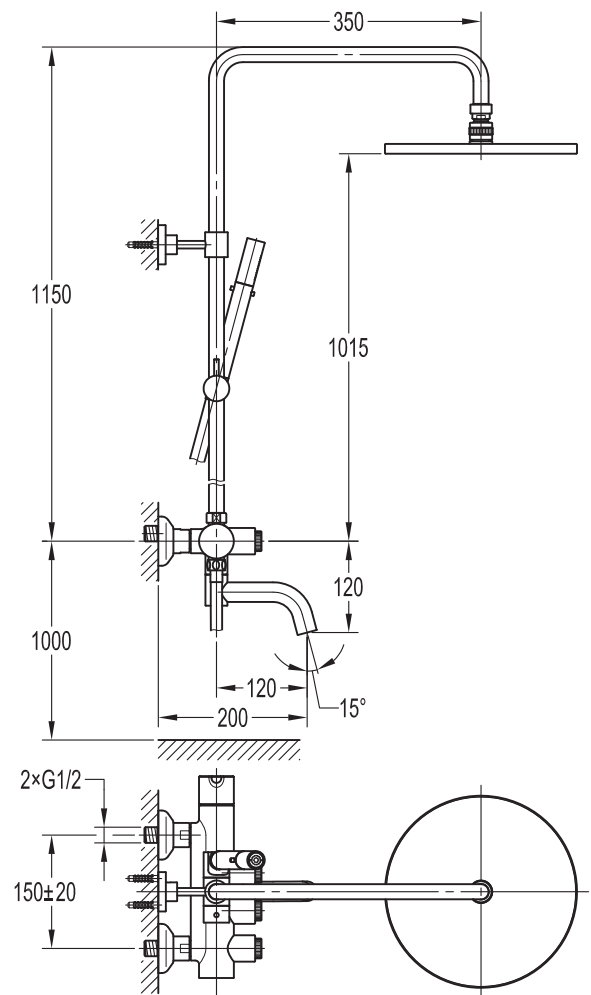


INSTRUCTION MANUAL

BS81122032

III. Installation Diagram



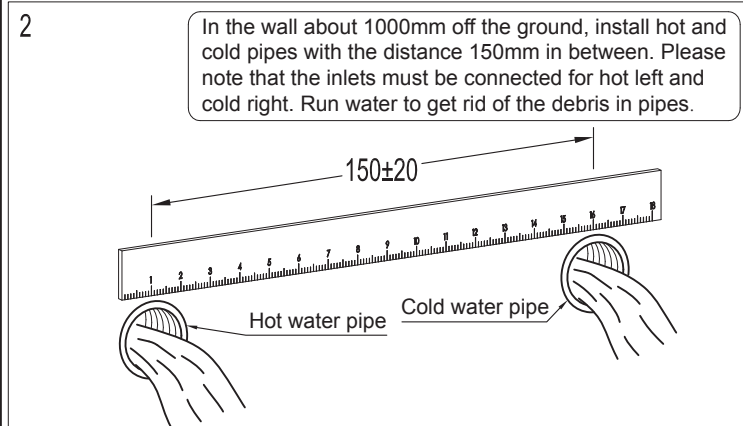
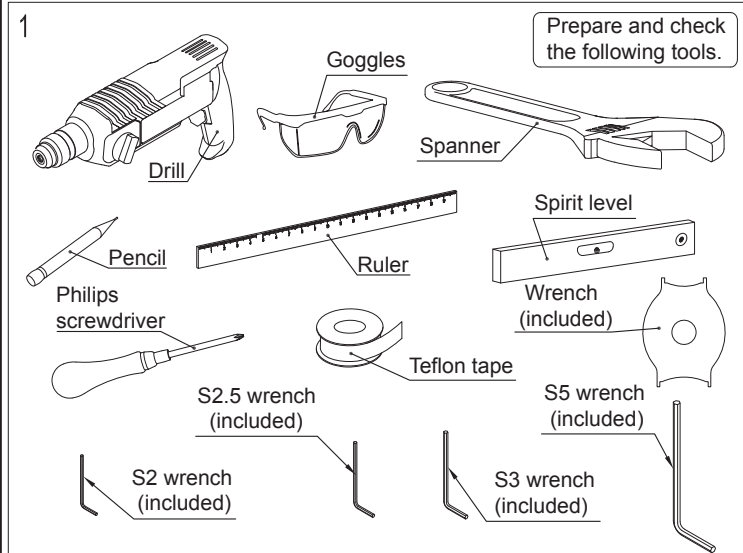
I. Installation Notice

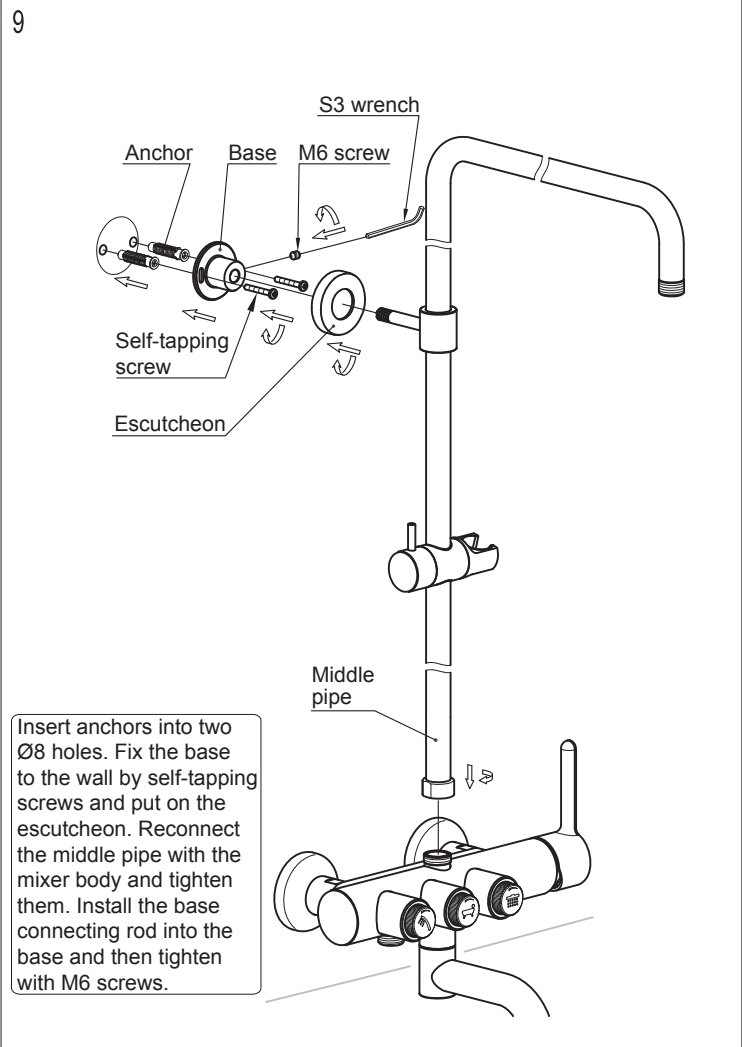
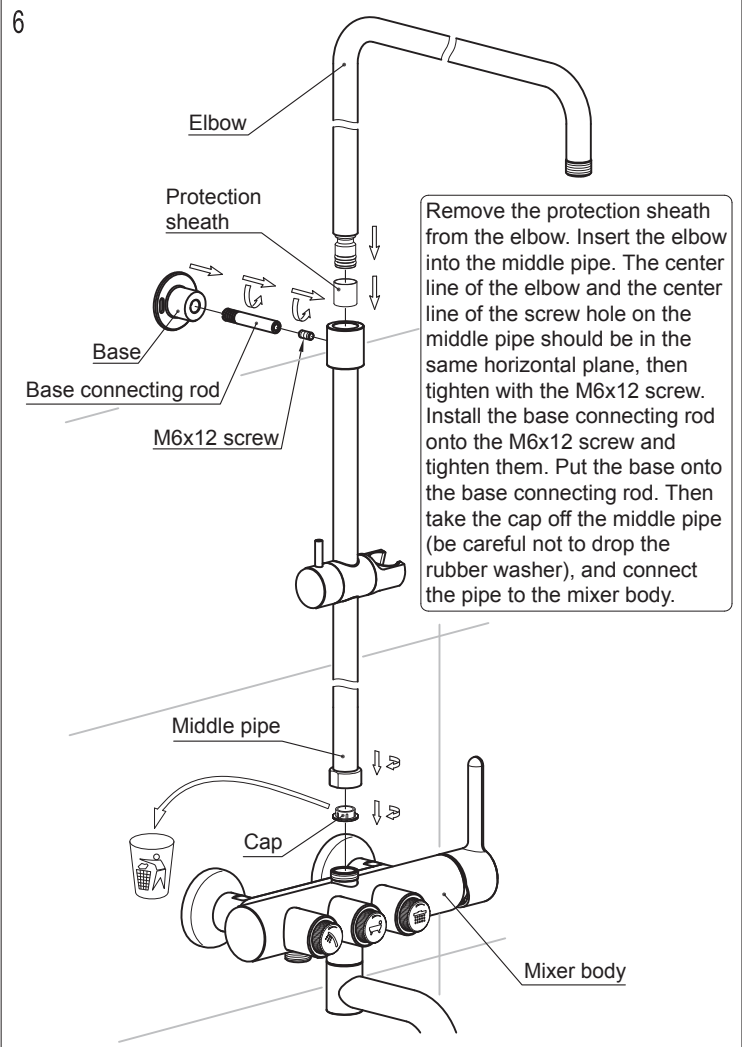
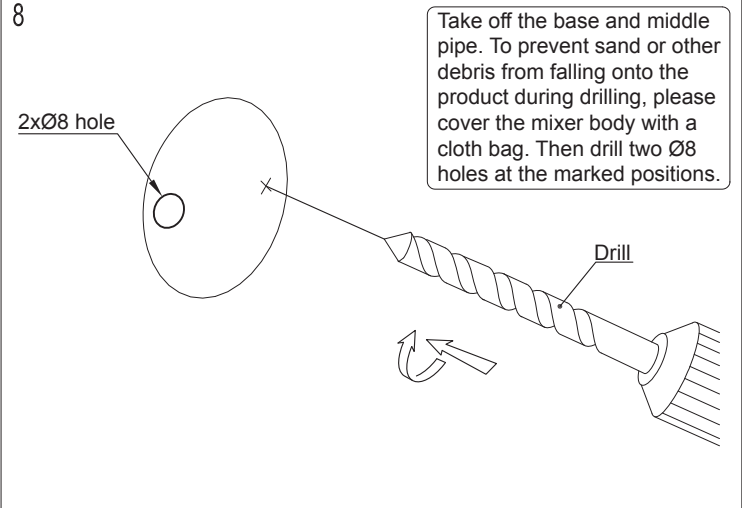
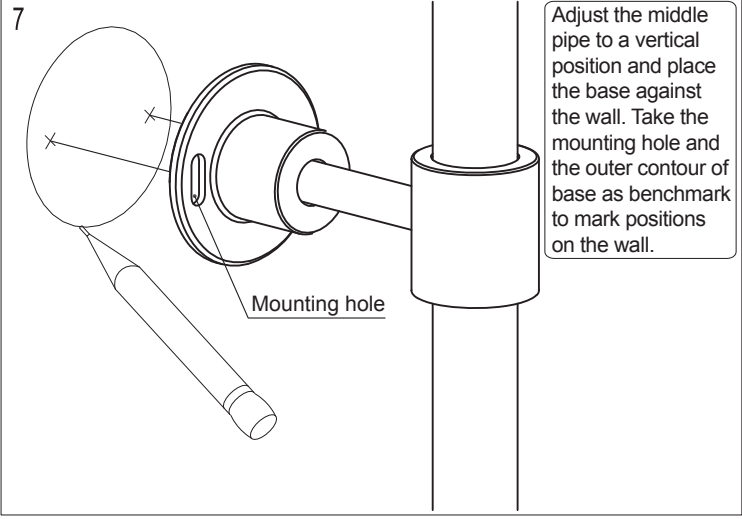
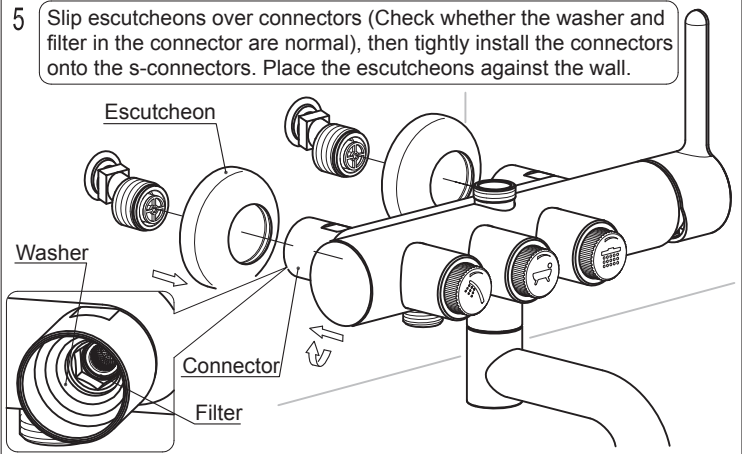
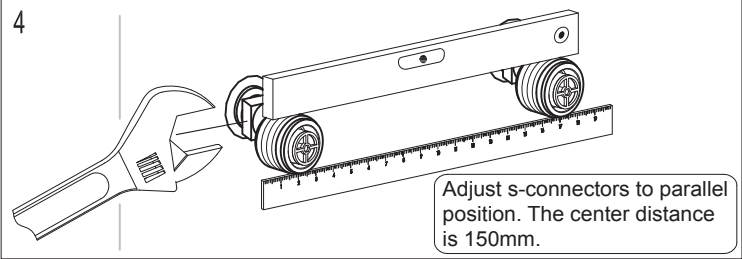
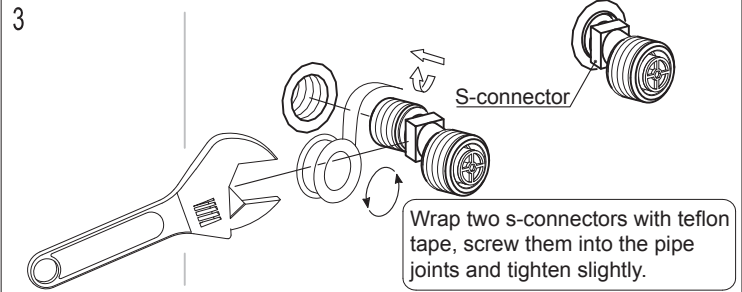
1. Install water pipes in accordance with this manual.
2. Floor drain should be installed on the site.
3. All the components should be installed only after the completion of house interior decoration in case paint or other chemicals erode the mixer surface.
4. Run water to clean pipes so as to get rid of mud, sand or other debris blocked in pipes before installation.
5. If the thread does not match well with the water pipe, please find out the reason first; otherwise a forced connection will damage the product.
6. After installation, check all the joints to ensure they are firmly connected. Turn on and off the water repeatedly to ensure there is no leakage around the joints. After that, the product is ready for normal use. Hand the manual to users.

II. Operation Notice

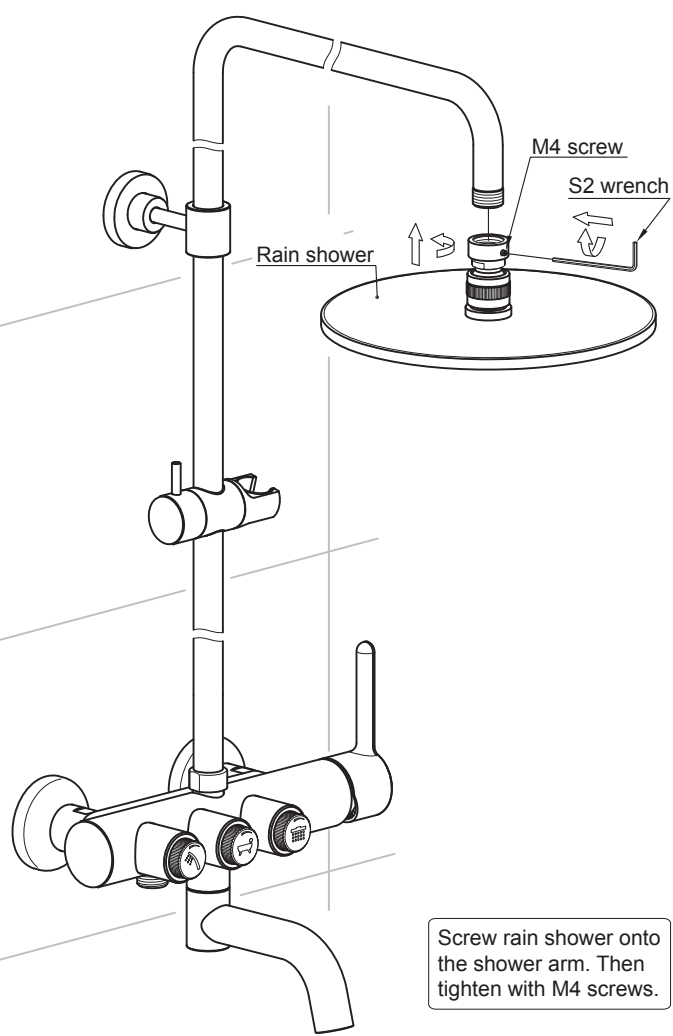
1. The product is used under water pressure 0.05~1.0 MPa, water temperature 4~90°C.
2. To avoid using the faucet as hand rail, a separate hand rail must be installed if needed. Also, do not hang heavy objects on the mixer.
3. Make sure the faucet is off when no water comes out of it, especially when nobody resides in or during the period of decoration or suspension of water.
4. Regularly clean the surface of product to keep it bright. Attention: Do not use inappropriate tools such as sharp brushes, rough sponges, scouring pads or corrosive detergent to clean the product. It is not recommended to use the detergent sold in the market, because its formula changes frequently. Please clean the product with wet cloth and soapy water after usage. Then rinse the soap off with clean water and dry with a soft cotton cloth.
5. Residues of shampoo, shower gel, hair dye, perfume, shaving water, nail polish, toothpaste and other substances may cause damage to the product. Please carefully rinse residues with clean water after use. Also, do not store detergents and chemicals under the product, such place as vanity cabinet or washbasin; otherwise volatile gases will damage the product.
6. When room temperature drops below 0°C, take necessary measures (keep the product warm, close windows) to prevent the product from frost cracking (especially when windows open for air ventilation while nobody in the house).
7. Children, adults with mental disorders should not be allowed to use the shower system without supervision, nor should people affected by alcohol or drugs.
8. Adjust the temperature before use and do not touch the mixer body to avoid scald. Turn on cold water first, then hot water. Sensitive parts of the body, such as eyes, must be kept out of water flows from shower head and sufficient distance between shower head and human head is needed.
9. Do not disassemble the product without help from the professionals.

IV. Installation Steps(Fig.1-14):* The installation diagram is only for reference. The product is subject to the real object.



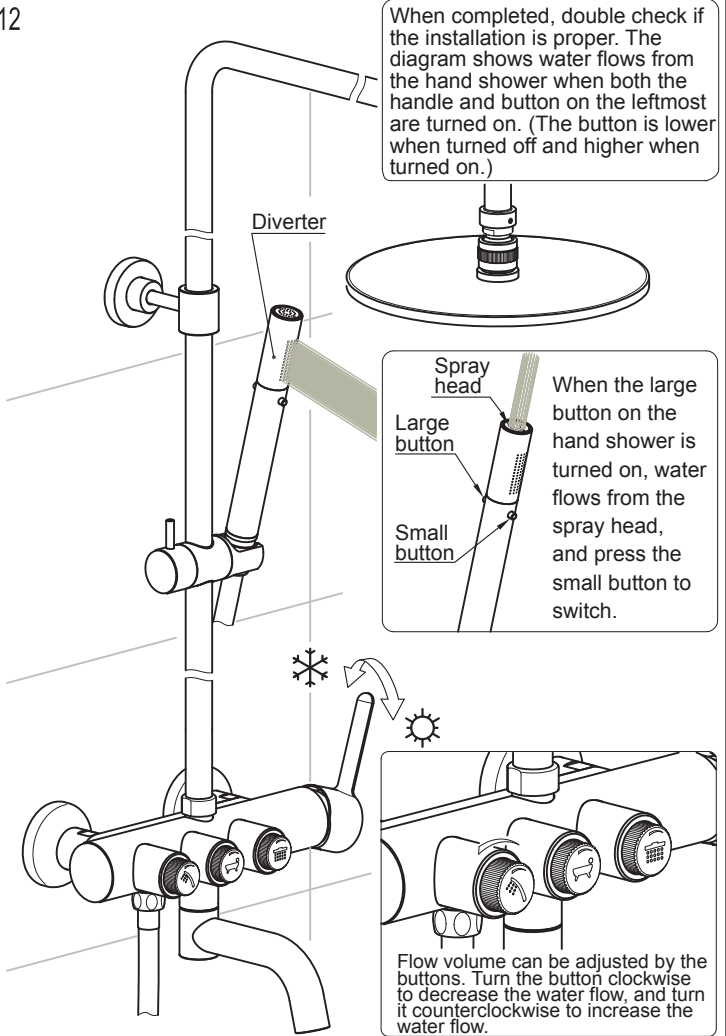


10



Screw rain shower onto the shower arm. Then tighten with M4 screws.

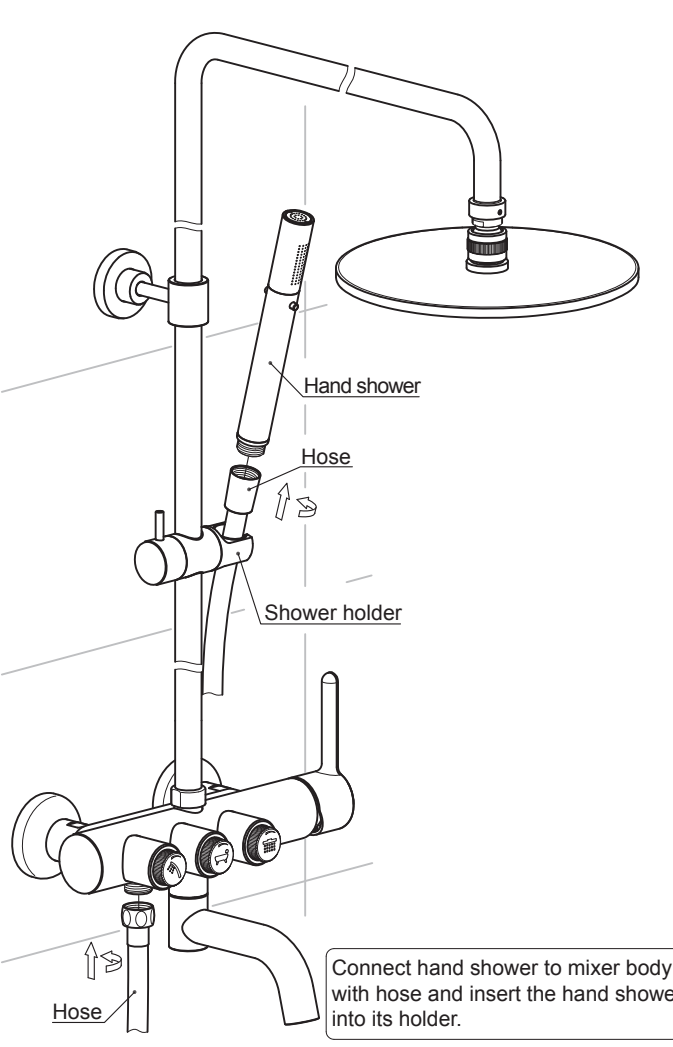
12



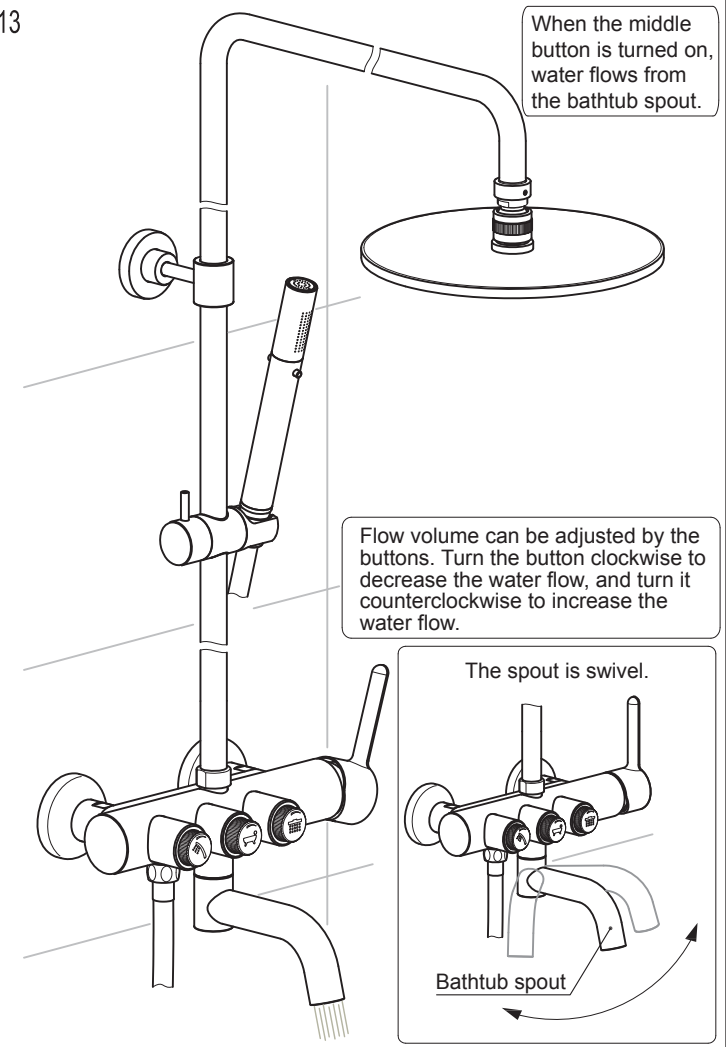
When completed, double check if the installation is proper. The diagram shows water flows from the hand shower when both the handle and button on the leftmost are turned on. (The button is lower when turned off and higher when turned on.)

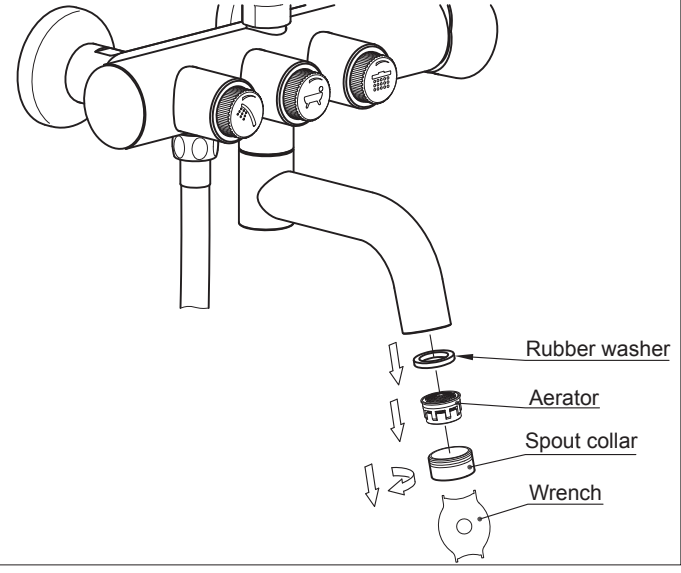
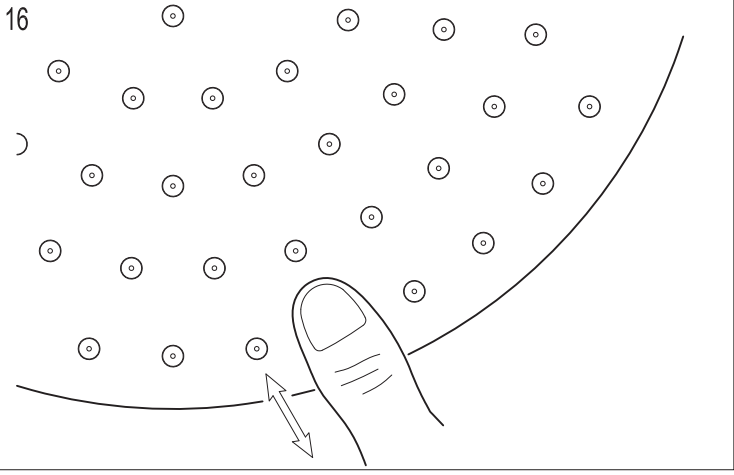
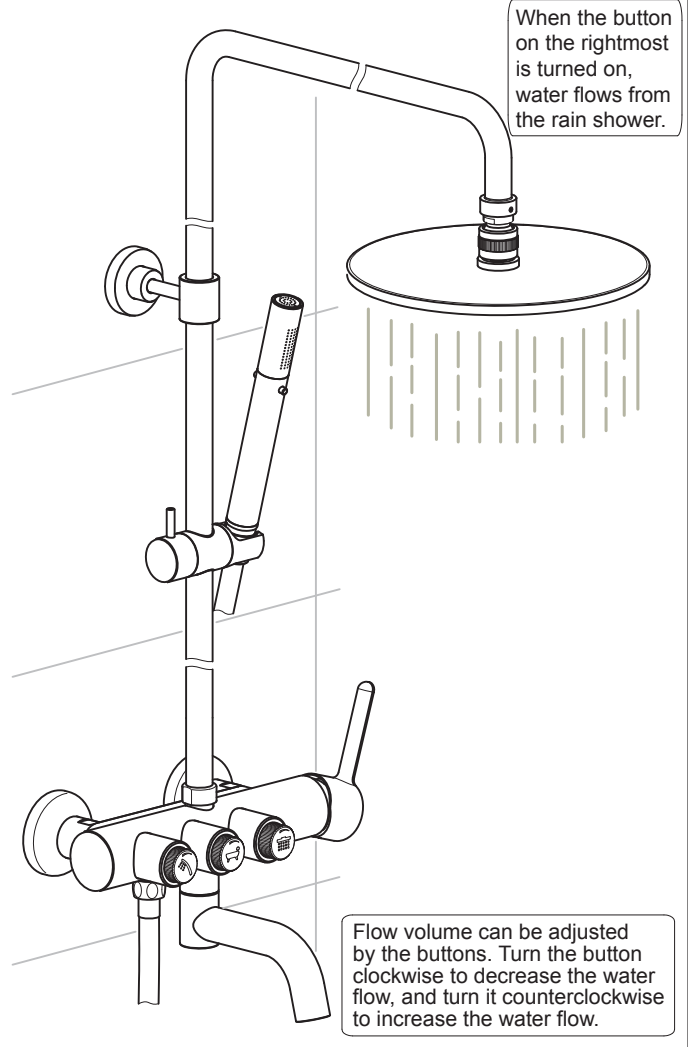
When the large button on the hand shower is turned on, water flows from the spray head, and press the small button to switch.

11



13





V. Maintenance (Fig.15-18):

If water flow from the hand shower is lessened or does not spray evenly after a period of usage, it is possibly because debris or limescale blocks the filter or nozzles. Please clean the filter and nozzles as shown in Diagram 15. If water flow from the rain shower does not spray evenly, or no water comes out of some nozzles, it is possibly because debris or limescale blocks the nozzles. Please gently squeeze those rubber nozzles with fingers as shown in Diagram 16 and clean up the debris. If water flow from the hand shower or rain shower is normal, but lessened when it comes out of the bathtub outlet, it is possibly because dirt or debris blocks the aerator. Please remove the aerator as shown in Diagram 17 and assemble it back after cleaning. If water flow from all outlets becomes lessened after cleaning, it is possibly because debris blocks the filter at the inlet end. Please take off the mixer body and clean its filter as shown in Diagram 18.

